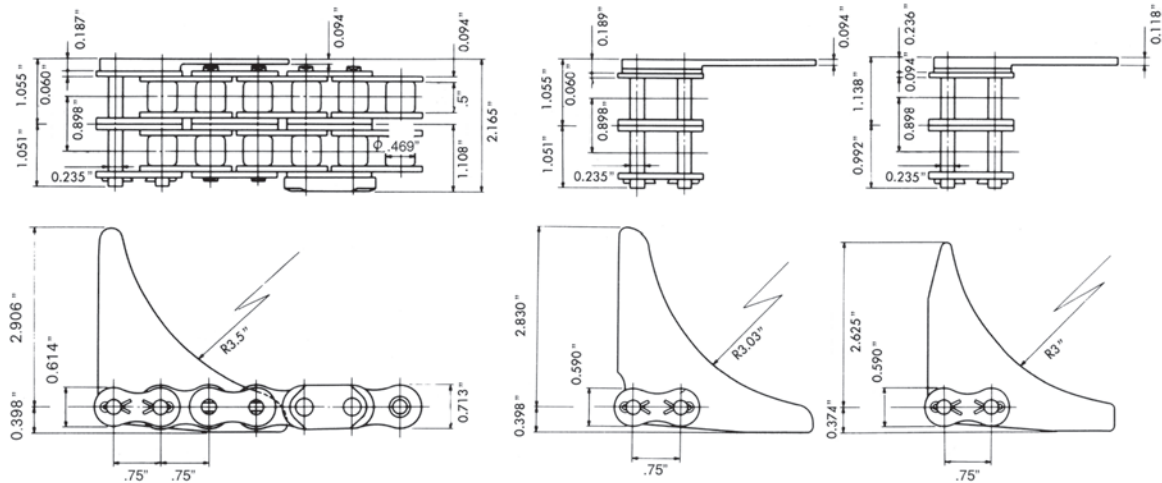


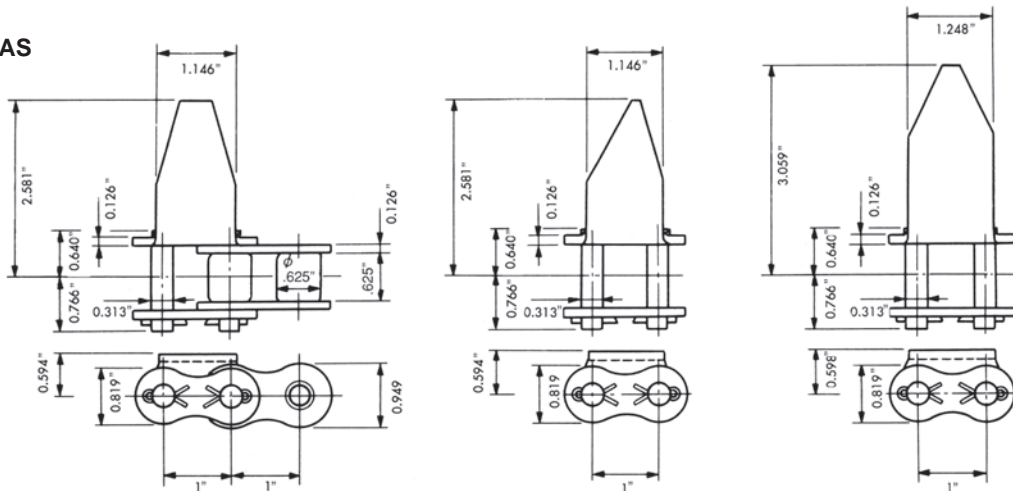
When performance really matters

Can Feeder Chain

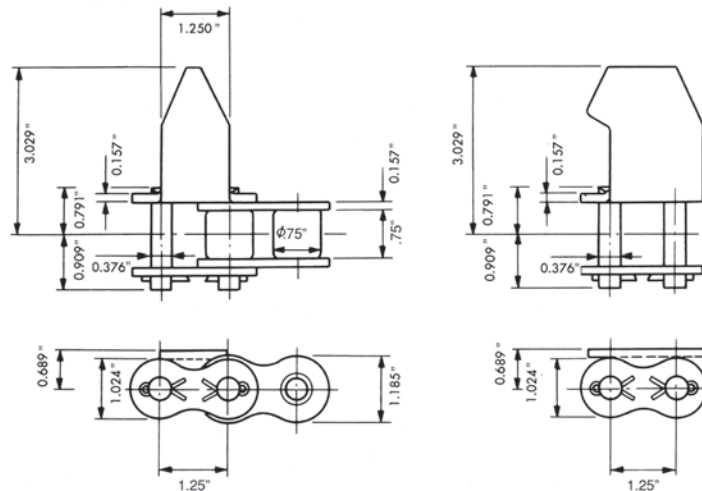
Chain No. RS60-2 AS



Chain No. RS80AS



Chain No. RS100AS



COST SAVINGS!

Application: Slicer/sizer
Savings: \$7,340.03 in 10.1 months
Tsubaki solution: Used high-strength, corrosion-resistant Tsubaki Neptune drive chain to replace stainless-steel chain.

It really mattered to this Tsubaki customer

Can Closer Chain

RFP=1.292 c/w Special SK0

