



Sharp Top Chain

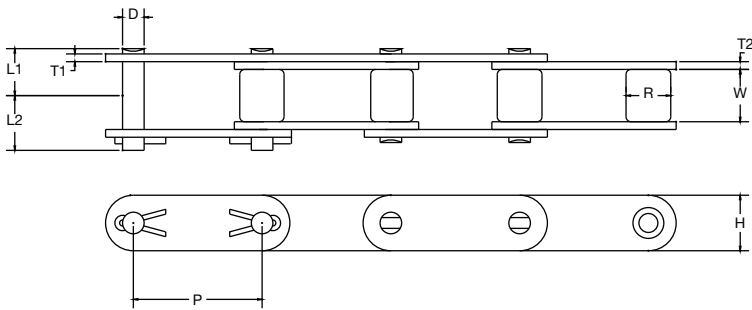
Sharp Top Chain Specifications:

All dimensions in inches unless otherwise stated.

Chain Number	Pitch P	Roller Diameter R	Width Between Inner Link Plates W	Link Plate						Pin					Transverse Pitch C	
				Thickness T	Middle Link Plate Thickness MLP	Height H	Height h ₁	Height h ₂	Tooth Height h ₃	Diameter D	Length L ₁ + L ₂	Length L ₁	Length L ₂	Length (L ₁ x 2) L ₃		Length L ₄
2 straight points on every second pitch and extended flat side bar																
RF32BSTKNew	2.000	1.150	1.220	0.248	-	2.953	1.772	1.181	0.374	0.701	-	1.264	-	2.528	2.305	-
RF32BSTKNarrow	2.000	1.150	0.900	0.220	-	2.953	1.772	1.181	0.374	0.701	-	1.020	-	2.040	2.137	-
3 straight points on every second pitch																
60-1-ST	0.750	0.469	0.500	0.094	-	0.854	0.713	0.498	0.094	0.235	1.087	0.506	0.581	1.012	0.898	-
60-2-ST	0.750	0.469	0.500	0.094	0.188	0.854	0.713	0.498	0.094	0.235	1.988	0.955	1.033	1.910	1.794	0.898
80-1-ST	1.000	0.625	0.625	0.126	-	1.143	0.949	0.669	0.197	0.313	1.398	0.640	0.758	1.280	1.138	-
80-2-ST	1.000	0.625	0.625	0.126	0.236	1.143	0.949	0.669	0.197	0.313	2.540	1.217	1.323	2.434	2.276	1.138
80-3-ST	1.000	0.625	0.625	0.126	0.252	1.143	0.949	0.669	0.197	0.313	3.704	1.795	1.909	3.590	3.459	1.154
80-4-ST	1.000	0.625	0.625	0.126	0.252	1.143	0.949	0.669	0.197	0.313	4.862	2.372	2.490	4.744	4.612	1.154
100-1-ST	1.250	0.750	0.750	0.157	-	1.319	1.126	0.756	0.126	0.376	1.678	0.778	0.900	1.556	1.408	-
100-2-ST	1.250	0.750	0.750	0.157	0.315	1.319	1.126	0.756	0.126	0.376	3.090	1.484	1.606	2.968	2.818	1.409
120-1-ST	1.500	0.875	1.000	0.189	-	1.583	1.354	0.906	0.126	0.437	2.118	0.980	1.138	1.960	1.789	-
3 straight points on every pitch																
60-1-ST-All	0.750	0.469	0.500	0.094	-	0.854	-	0.498	0.094	0.235	1.087	0.506	0.581	1.012	0.898	-
80-2-ST-ALL	1.000	0.625	0.625	0.126	0.236	1.143	-	0.669	0.197	0.313	2.540	1.217	1.323	2.434	2.276	1.138
80-4-ST-ALL	1.000	0.625	0.625	0.126	0.252	1.143	-	0.669	0.197	0.313	4.862	2.372	2.490	4.744	4.612	1.154
3 slasher points on every second pitch																
100-1-SL-LP	1.250	0.750	0.750	0.157	-	1.425	1.126	0.850	0.299	0.376	1.678	0.778	0.900	1.556	1.408	-
100-2-SL-LP	1.250	0.750	0.750	0.157	0.315	1.425	1.126	0.850	0.299	0.376	3.090	1.484	1.606	2.968	2.818	1.409
100-2-SL-HP	1.250	0.750	0.750	0.157	0.315	1.638	1.126	1.063	0.512	0.376	3.090	1.484	1.606	2.968	2.818	1.409
2 slasher points on every second pitch																
80-1-SL	1.000	0.625	0.625	0.126	-	1.161	0.949	0.667	0.212	0.313	1.460	0.671	0.789	1.342	1.216	-
80-2-SL	1.000	0.625	0.625	0.126	0.236	1.161	0.949	0.667	0.212	0.313	2.590	1.236	1.354	2.472	2.276	1.138
1 opposite slant point on every 4th pitch																
100-2-P4P-AD	1.250	0.750	0.750	0.157	0.315	1.370	1.126	0.807	0.244	0.376	3.090	1.484	1.606	2.968	2.818	1.409
1 opposite slant point on every 8th pitch																
80-2-P8P-AD	1.000	0.625	0.625	0.126	0.236	1.184	0.949	0.709	0.235	0.313	2.540	1.217	1.323	2.434	2.276	1.138
1 right slant point on every 4th pitch																
100-2-P4P-SD	1.250	0.750	0.750	0.157	0.315	1.370	1.126	0.807	0.244	0.376	3.090	1.484	1.606	2.968	2.818	1.409

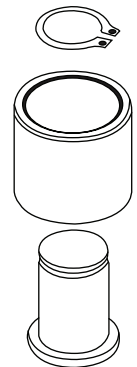
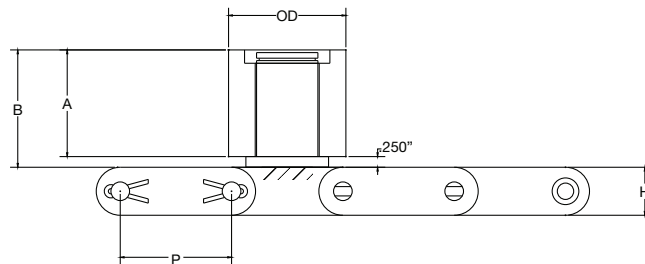
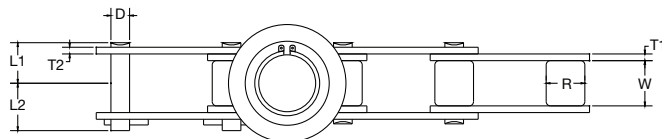
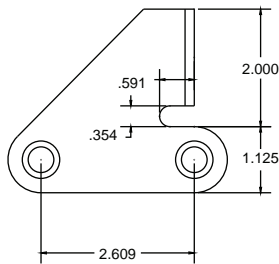
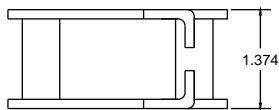
These multi-purpose chains are ideal for such forestry applications as: sorters, conveying and transferring and also for trimming lines. 81X chain is also used in general industry applications such as palletizing and the transfer of steel bars. Tsubaki offers 3 types of 81X: standard, heavy duty (HD) and lube free Lambda.

Section B



Roller Link Pusher Attachment
(Pusher attachment also available for connecting link)

Trimmer Lug with Roller Attachment

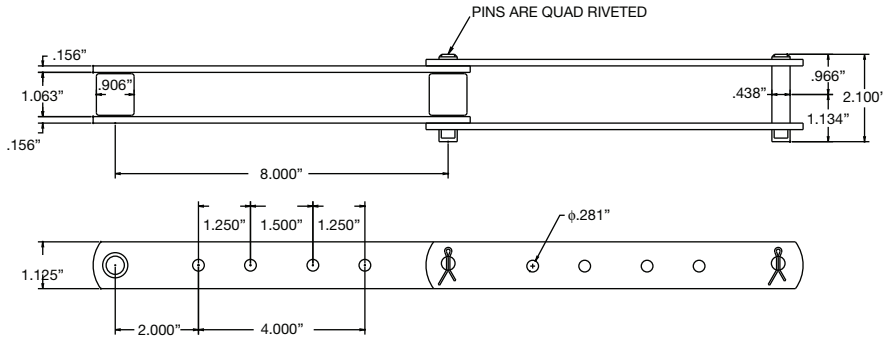


Note: Trimmer Lug will be welded onto the pin link or roller link depending on spacing requirements. Specify dimensions A, B and outside diameter when ordering. Tsubaki offers various sizes of trimmer lug weld-on attachments. Consult Tsubaki Technical Support for more information.

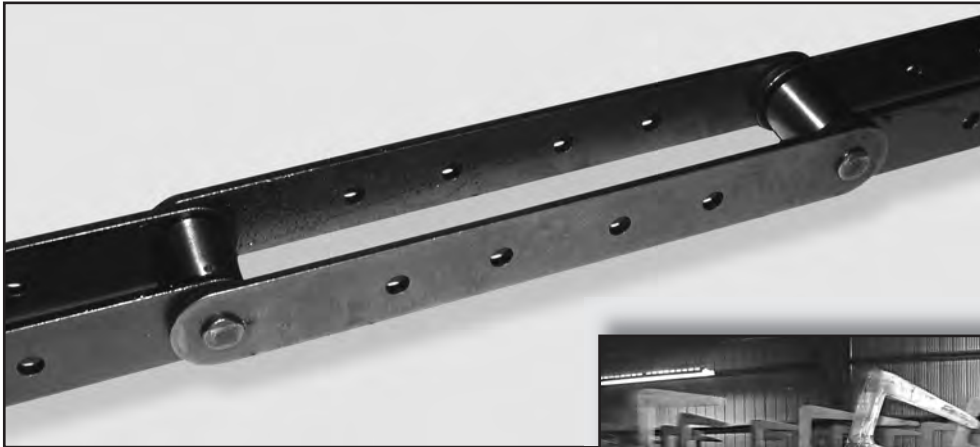
All dimensions in inches unless otherwise stated.

Chain Number	Pitch P	Roller Diameter R	Width Between Inner Link Plates W	Link Plate			Pin			Average Tensile Strength (lbs.)	Approx. Weight (lbs./ft.)	
				Thickness T ₁	Thickness T ₂	Height H	Diameter D	Length L ₁ +L ₂	Length L ₁			Length L ₂
81X	2.609	0.906	1.060	0.157	0.157	1.125	0.437	2.063	0.951	1.112	24,000	2.42
81X Premium	2.609	0.906	1.060	0.157	0.157	1.125	0.437	2.063	0.951	1.112	24,000	2.42
81XHD	2.609	0.906	1.060	0.220	0.315	1.260	0.437	2.536	1.181	1.355	42,000	4.12
81XHD Premium	2.609	0.906	1.060	0.220	0.315	1.260	0.437	2.536	1.181	1.355	42,000	4.12
81X Lambda	2.609	0.906	1.060	0.157	0.189	1.125	0.437	2.146	0.998	1.148	24,000	2.42
81XSS	2.609	0.906	1.060	0.299	0.299	1.125	0.437	2.063	0.951	1.112	11,000	2.42

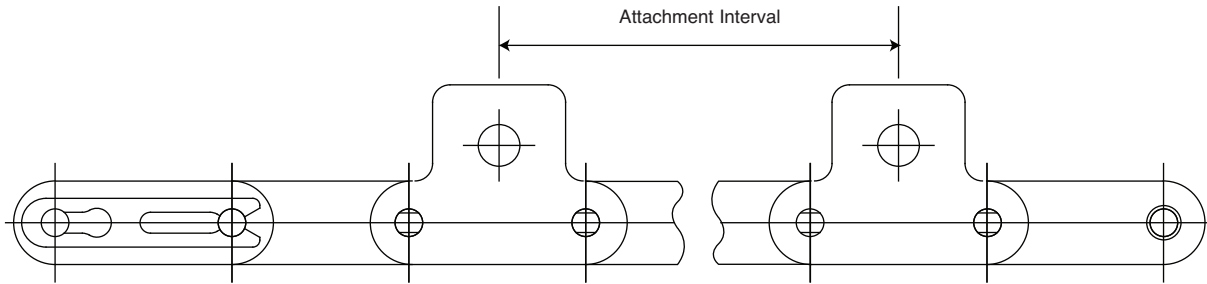
3939-B4 chain is an 8" pitch version of 81X chain and is used for lumber conveying. It is typically used in drop sorter applications. Lumber is conveyed using J-bar attachments on the chain. Tsubaki can install the J-bars on the chain. Tsubaki can also supply sprockets to work with 3939-B4 chain. Please contact Tsubaki Technical Support for more information.



Chain Number	Average Tensile Strength (lbs.)	Approx. Weight (lbs./ft.)
3939-B4	24,000	1.70



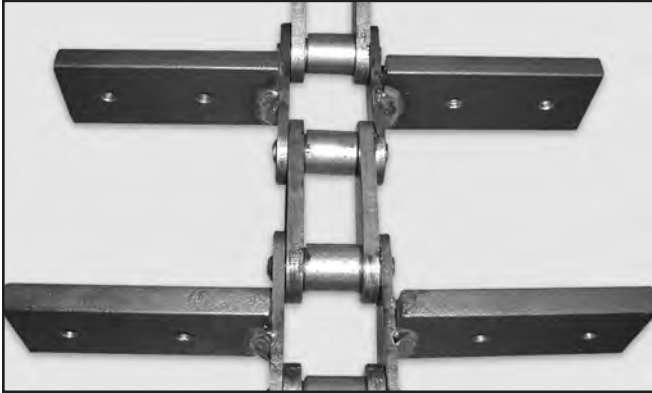
Tsubaki can supply chain for precise positioning of "Scanner Lugs" on SK1 attachments. This is achieved by making the chain in the same factory batch with very narrow deviation range. Each chain length is exactly measured when shipping from the factory, which allows us to confirm measured lengths one by one. This minimizes relative length difference in the strands used in the application. The chain is available with attachment intervals of every 12th, 14th and 16th pitch (for C2060H chain). Available on sizes C2040-C2100H. Attachment intervals will vary depending on the size of chain.



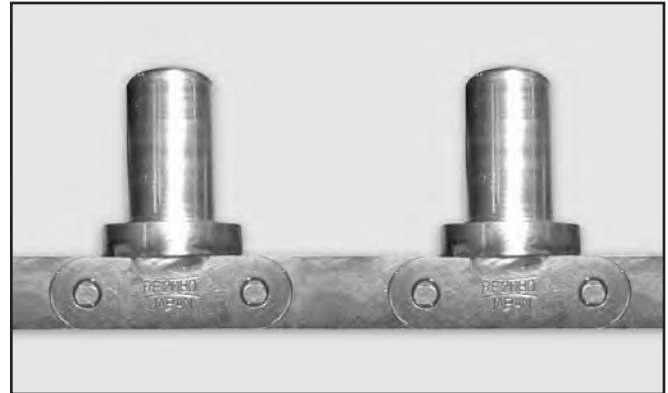
S
e
c
t
i
o
n
B

Tsubaki offers custom attachment chain available for conveyor applications for extended pitch type chain such as C2080H, C2100H, 81X, 81XHD and various other conveyor chains.

Tsubaki offers custom bending and shaping for the attachments. Specify the attachment or pusher lug dimensions that you require. We can work with your existing design and offer suggestions to find a suitable solution for your conveyor needs.



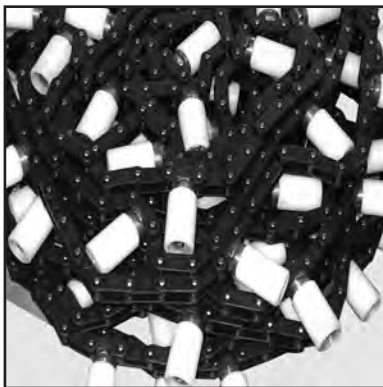
81X HD Chain with Paddle Attachment



C2080H Chain with Trimmer Lugs

Select Forestry Industry Attachments:

- *Tsubaki offers quick lead times and delivery*
- *Custom or standard attachments available*
- *Attachment chains are assembled in Canada*
- *Quality chains from a manufacturer you can trust*



C2080H Lambda Chain with Trimmer Lug Pins and UHMW



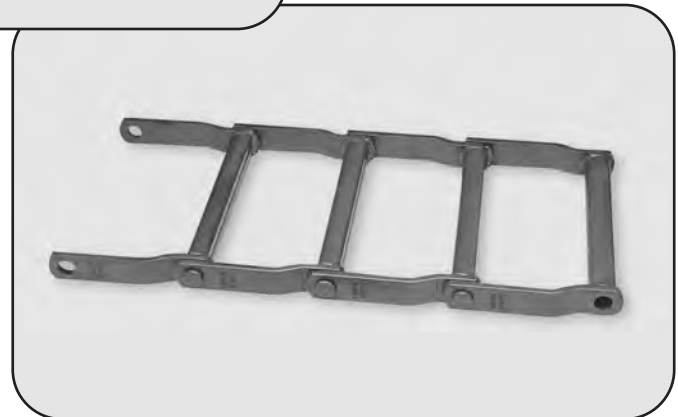
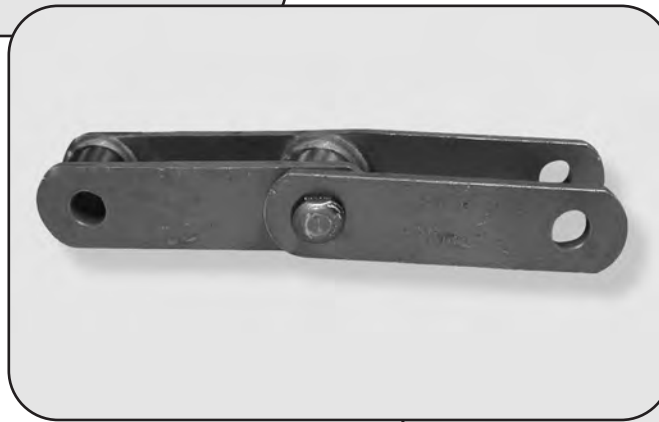
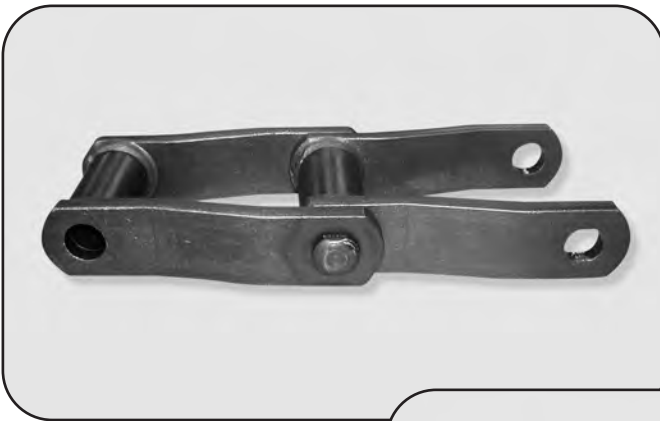
Custom Pusher Attachment for 81X Chain



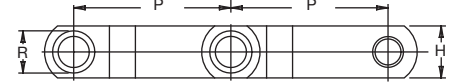
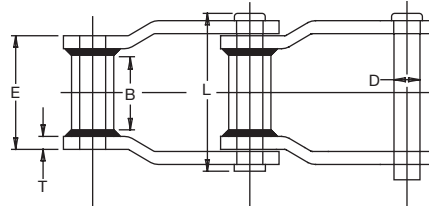
3939 J-Bar Attachment Chain with Slider Blocks

For close to a century, Tsubaki has been manufacturing high quality roller chain and other leading edge products for the Power Transmission industry. Tsubaki provides value added solutions for your application problems. Our Technical Support Department can help you select the right chain and attachment for your application.

Mill Chain from Tsubaki is manufactured by welding side bars to separately formed barrels (bushings) and pins. Welds fuse each end portion of each barrel to an adjacent side bar end portion to create high fatigue resistance. The end portion of each through hardened pin is tight fitted onto the side plate and riveted for maximum strength. Special design considerations include enlarged shoulders for tight press fit in the sidebars and tapered construction for rapid assembly. Tsubaki's oversized rivet head outlasts conventional rivet heads. The result is a mill chain that is designed and made to offer strength, precision, impact resistance and wear resistance. This results in a chain that is built to withstand both punishing shock load and abrasive conditions. And each component is engineered to tight tolerances. This kind of chain is found throughout the world in lumber mills, pulp and paper mills and other industries where severe applications demand strength and reliability.



S
e
c
t
i
o
n
B



Offset Sidebar Mill Chains

All dimensions in inches unless otherwise stated.

Chain Number	Pitch P	Side Bars		Pin Dia. D	Chain Width		Effective Distance Between Welds B	Barrel Dia. R	Ultimate Strength (lbs.)	Maximum Allowable Load (lbs.)	Approx. Weight (lbs./ft.)
		Thickness T	Height H		Overall L	Length of Bearing E					
WR-78	2.609	0.250	1.25	0.50	3.00	2.00	1.00	0.84	30,000	4,500	4.2
WH-78	2.609	0.250	1.25	0.50	3.00	2.00	1.00	0.84	33,000	5,500	4.2
WR-78-4	4.000	0.250	1.25	0.50	3.00	2.00	1.00	0.84	25,600	4,500	3.5
WR-82	3.075	0.250	1.25	0.56	3.24	2.25	1.13	1.00	30,000	5,000	5.0
WH-82	3.075	0.250	1.25	0.56	3.24	2.25	1.13	1.00	36,000	6,000	5.0
* WR-124IBR	4.000	0.382	1.50	0.75	4.25	2.75	1.50	1.25	50,000	8,200	8.0
WH-124	4.000	0.382	1.50	0.75	4.25	2.75	1.50	1.25	57,000	9,500	8.0
WR-111	4.760	0.382	1.75	0.75	4.80	3.39	2.25	1.25	50,400	9,500	9.2
WH-111	4.760	0.382	1.75	0.75	4.80	3.39	2.25	1.25	60,000	12,000	9.2
WR-106	6.000	0.382	1.50	0.75	4.25	2.75	1.50	1.25	50,000	8,200	6.6
WH-106	6.000	0.382	1.50	0.75	4.25	2.75	1.50	1.25	60,000	12,000	6.6
WR-110	6.000	0.382	1.50	0.75	4.81	3.00	1.50	1.25	46,000	6,800	6.6
WH-110	6.000	0.382	1.50	0.75	4.81	3.00	1.50	1.25	60,000	12,000	6.6
WR-132	6.050	0.500	2.00	1.00	6.14	4.37	3.00	1.75	85,500	14,100	14.2
WH-132	6.050	0.500	2.00	1.00	6.14	4.37	3.00	1.75	122,000	20,300	14.2
WR-150	6.050	0.500	2.50	1.00	6.50	4.37	3.00	1.75	100,000	19,000	17.1
WH-150	6.050	0.500	2.50	1.00	6.50	4.37	3.00	1.75	148,000	20,300	17.1
WR-155	6.050	0.563	2.50	1.13	6.41	4.63	2.75	1.75	148,000	22,000	19.8
WH-155	6.050	0.563	2.50	1.13	6.41	4.63	2.75	1.75	175,000	29,000	19.8
WR-157	6.050	0.625	2.50	1.13	6.75	4.63	2.75	1.75	148,000	22,000	20.1
WH-157	6.050	0.625	2.50	1.13	6.75	4.63	2.75	1.75	175,000	29,000	20.1
WR-159	6.125	0.625	3.00	1.25	6.75	4.63	2.75	1.90	185,000	28,000	26.0
WH-159	6.125	0.625	3.00	1.25	6.75	4.63	2.75	1.90	210,000	32,000	26.0
WR-200	6.125	0.625	2.50	1.25	6.75	4.63	2.75	1.90	185,000	28,000	22.1
WH-200	6.125	0.625	2.50	1.25	6.75	4.63	2.75	1.90	190,000	32,000	22.1

* WR124IBR is produced standard with extended wear life pin.

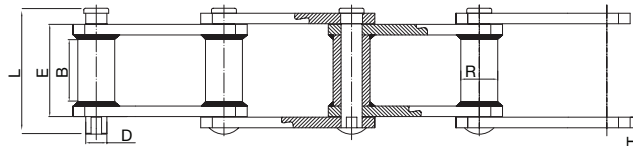
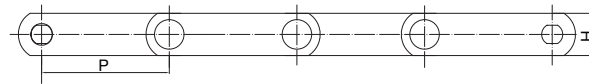
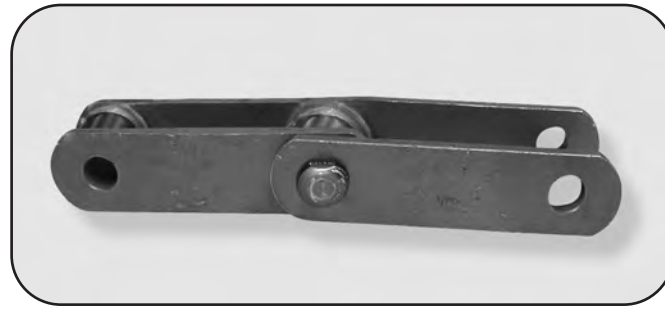
Extra Heavy Duty Offset Sidebar Mill Chains

All dimensions in inches unless otherwise stated.

Chain Number	Pitch P	Side Bars		Pin Dia. D	Chain Width		Effective Distance Between Welds B	Barrel Dia. R	Ultimate Strength (lbs.)	Maximum Allowable Load (lbs.)	Approx. Weight (lbs./ft.)
		Thickness T	Height H		Overall L	Length of Bearing E					
WR-78XHD	2.636	0.38	1.25	0.56	3.37	2.00	1.00	1.00	30,000	5,000	6.2
WH-78XHD	2.636	0.38	1.25	0.56	3.37	2.00	1.00	1.00	36,000	6,000	6.2
WR-82XHD	3.075	0.38	1.50	0.75	3.75	2.38	1.13	1.25	50,400	8,400	8.5
WH-82XHD	3.075	0.38	1.50	0.75	3.75	2.38	1.13	1.25	57,000	9,500	8.5
WR-124XHD	4.063	0.50	2.00	1.00	4.87	3.00	1.50	1.75	85,500	14,200	14.8
WH-124XHD	4.063	0.50	2.00	1.00	4.87	3.00	1.50	1.75	122,000	20,400	14.8
WR-106XHD	6.050	0.50	2.00	1.00	4.87	3.00	1.50	1.75	85,000	14,200	12.2
WH-106XHD	6.050	0.50	2.00	1.00	4.87	3.00	1.50	1.75	122,000	20,400	12.2
WR-132XHD	6.050	0.63	2.00	1.00	6.75	4.67	3.00	1.75	120,000	20,000	16.5
WH-132XHD	6.050	0.63	2.00	1.00	6.75	4.67	3.00	1.75	122,000	20,400	16.5

Notes:

- WR: Offset sidebar style, with heat treated rivets.
- WH: Offset sidebar series, with all parts heat treated.
- WRXHD: Offset sidebar extra heavy duty series, with heat-treated rivets.
- WHXHD: Offset sidebar extra heavy duty series, with all parts heat-treated.
- If extended wear life pin is required Tsubaki can supply IBR as an option for all chains on this page.
- Riveted type connecting pins are supplied with these chains.



Straight Sidebar Mill Chains

All dimensions in inches unless otherwise stated.

Chain Number	Pitch P	Side Bars		Pin Dia. D	Chain Width		Effective Distance Between Welds B	Barrel Dia. R	Ultimate Strength (lbs.)	Maximum Allowable Load (lbs.)	Approx. Weight (lbs./ft.)
		Thickness T	Height H		Overall L	Length of Bearing E					
WRC-78	2.609	0.25	1.25	0.50	3.00	2.00	1.00	0.84	27,000	4,500	4.3
WRC-131	3.075	0.38	1.50	0.75	3.56	2.00	0.88	1.25	50,400	8,400	8.4
WHC-131	3.075	0.38	1.50	0.75	3.56	2.00	0.88	1.25	57,000	8,400	8.4
WRC-124	4.000	0.38	1.50	0.75	4.25	2.75	1.50	1.25	50,400	8,400	7.8
WRC-111	4.760	0.38	1.75	0.75	4.81	3.38	1.75	1.25	50,400	8,400	8.0
WRC-110	6.000	0.38	1.50	0.75	4.25	2.75	1.50	1.25	50,400	8,400	7.2
WRC-132	6.050	0.50	2.00	1.00	6.50	4.41	2.75	1.75	85,500	14,100	14.1
WRC-150	6.050	0.50	2.50	1.00	6.50	4.41	2.75	1.75	120,000	19,000	16.3

Extra Heavy Duty Straight Sidebar Mill Chains

All dimensions in inches unless otherwise stated.

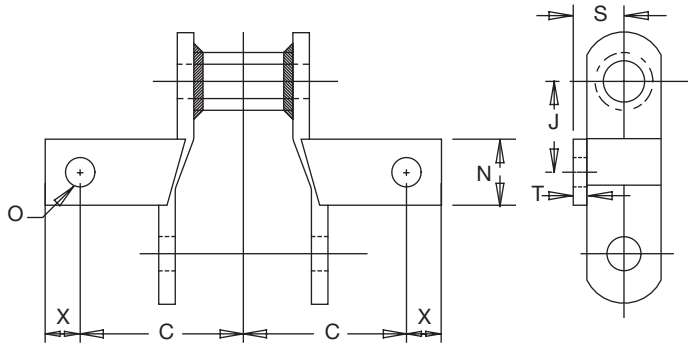
Chain Number	Pitch P	Side Bars		Pin Dia. D	Chain Width		Effective Distance Between Welds B	Barrel Dia. R	Ultimate Strength (lbs.)	Maximum Allowable Load (lbs.)	Approx. Weight (lbs./ft.)
		Thickness T	Height H		Overall L	Length of Bearing E					
WRC-82XHD	3.075	0.38	1.50	0.75	3.75	2.40	1.13	1.25	50,400	8,400	8.5
WRC-124XHD	4.063	0.50	2.00	1.00	4.88	3.00	1.50	1.63	85,000	14,200	14.6
WRC-110XHD	6.050	0.50	2.00	1.00	4.88	3.00	1.50	1.63	85,000	14,200	11.8
WRC-132XHD	6.050	0.63	2.00	1.00	6.75	4.66	3.13	1.63	120,000	20,000	15.3

Notes:

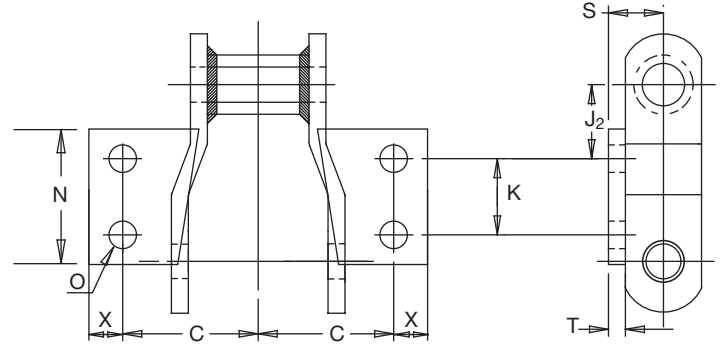
1. WRC: Straight sidebar style, with heat treated rivets.
2. WHC: Straight sidebar series, with all parts heat treated.
3. WRCXHD: Straight sidebar extra heavy duty series, with heat-treated rivets.
4. WHCXHD: Straight sidebar extra heavy duty series, with all parts heat-treated.

Section B

K-1 Attachment



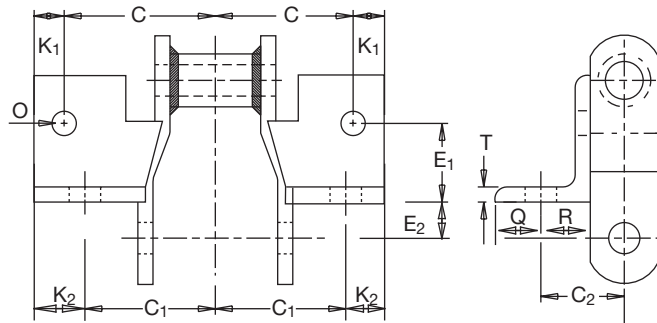
K-2 Attachment



All dimensions in inches unless otherwise stated.

Chain Number	C	J	J ₂	N	K	O	S	T	X
WR-78	2.00	1.25	0.81	2.13	1.25	0.38	0.88	0.25	0.50
WR-78XHD	2.00	1.25	0.81	2.13	1.25	0.38	0.88	0.25	0.50
WR-82	2.38	1.50	0.50	2.25	1.75	0.38	0.88	0.25	0.63
WR-82XHD	2.38	1.50	0.50	2.25	1.75	0.38	1.13	0.38	0.63
WR-124	2.63	2.00	0.88	3.00	1.75	0.38	1.13	0.38	0.63
WR-124XHD	2.63	2.00	0.88	4.00	1.75	0.50	1.50	0.50	0.75
WR-111	3.18	2.18	1.00	4.00	1.75	0.38	1.25	0.38	0.63
WR-132	3.75	3.00	1.63	4.25	2.00	0.50	1.50	0.50	0.88
WR-132XHD	3.75	3.00	1.63	4.25	2.00	0.50	1.50	0.50	0.88
WR-150	3.75	-	1.63	4.25	-	0.50	1.75	0.50	0.50

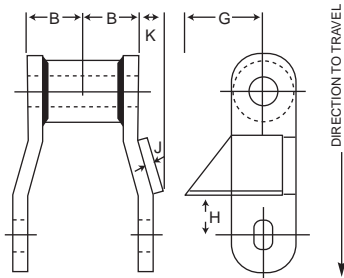
F-4 Attachment



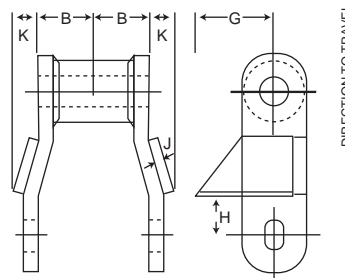
All dimensions in inches unless otherwise stated.

Chain Number	C ₂	E ₂	T	K ₁	K ₂	C	E ₁	Q	R	C ₁	O	Approx. Weight (lbs./ft.)
WR-78	1.75	1.00	0.25	0.50	0.88	2.25	0.94	0.63	1.18	1.88	0.38	8.3
WR-78XHD	1.75	1.00	0.25	0.50	0.88	2.25	0.94	0.63	1.18	1.88	0.38	9.9
WR-82	1.81	1.25	0.25	0.44	0.88	2.50	1.13	0.81	1.19	2.06	0.38	8.9
WR-82XHD	2.06	1.25	0.38	0.50	1.06	2.50	1.13	1.06	1.19	2.06	0.38	12.5
WR-124	2.06	1.16	0.38	0.50	1.06	2.63	1.06	1.06	1.31	2.06	0.38	11.6

R2 Attachment (WR-78, Wr-78XHD & WR-82 only)



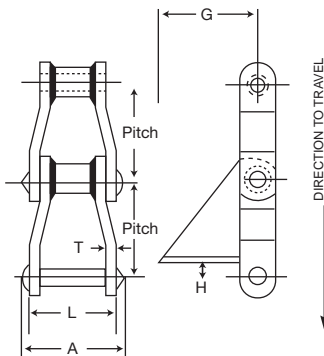
RR-2 Attachment



All dimensions in inches unless otherwise stated.

Chain Number	B	G	H	J	K	Approx. Wt. (lbs/ft)	
						R2	RR-2
WR-78	1.00	1.56	1.00	0.25	0.50	4.4	4.8
WR-78XHD	1.13	1.56	1.00	0.38	0.63	7.5	8.0
WR-82	1.13	1.75	0.81	0.25	0.50	6.0	6.5
WR-82XHD	1.19	2.06	0.81	0.38	0.75	-	8.5
WR-124	1.38	1.88	1.50	0.38	0.75	-	9.3
WR-132	2.20	2.50	1.50	0.50	0.88	-	16.0

S1 Attachment

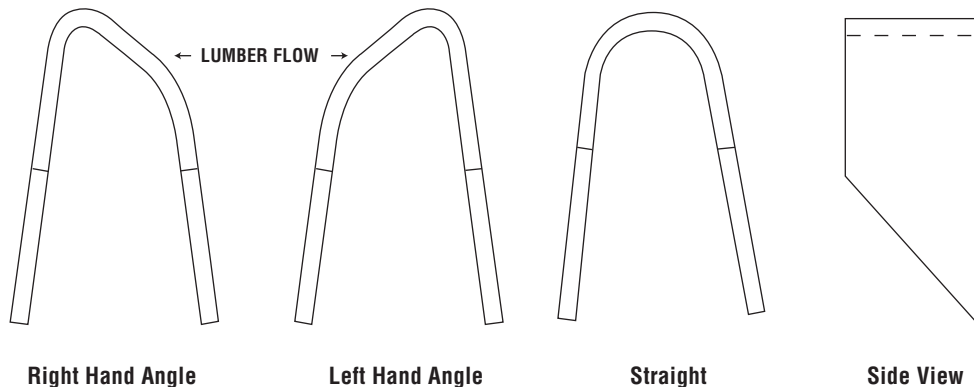


All dimensions in inches unless otherwise stated.

Chain Number	A	G	H	L	T	Approx. weight (lbs./ft.)
WR-124	4.25	3.75	1.00	3.63	0.38	17.4
WR-111	4.81	4.00	1.00	4.19	0.38	18.3
WR-106	4.25	3.75	1.00	3.63	0.38	16.1
WR-124XHD	4.88	3.75	1.28	4.13	0.50	26.0
WR-132	6.25	5.00	1.28	5.28	0.50	18.0
WR-150	6.25	5.50	1.28	5.28	0.50	20.0

Bull Nose Attachments

Standard heights are 1 1/2" - 1 3/4" - 2". Manufactured for welded steel chain and trimmer chain. Please specify height and angle of attachment when placing order.



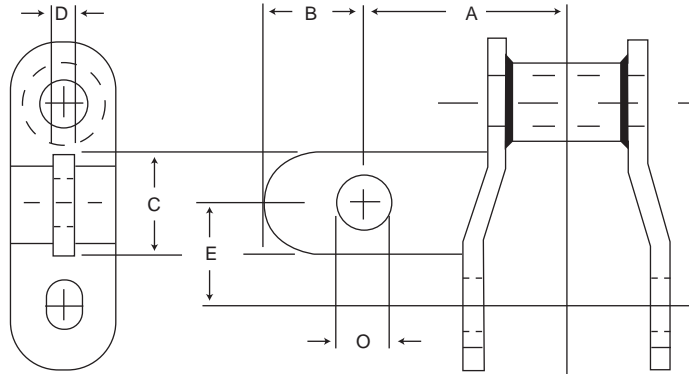
Right Hand Angle

Left Hand Angle

Straight

Side View

A22 Attachment

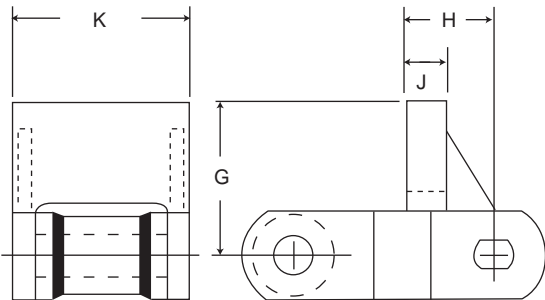


All dimensions in inches unless otherwise stated.

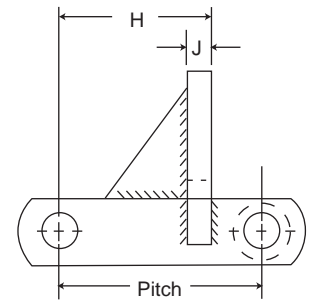
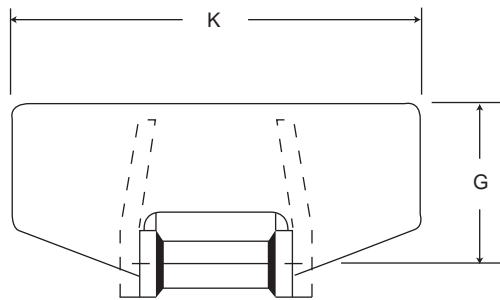
Chain Number	A	B	C	D	E	O
WR-78	2.00	0.63	1.25	0.25	1.25	0.44
WR-124	3.00	0.88	1.75	0.38	2.00	0.56
WR-111	3.50	0.88	1.75	0.38	2.38	0.56
WR-106	2.75	0.88	1.75	0.38	3.00	0.56
WR-132	4.25	1.00	1.75	0.50	3.00	0.81
WR-132XHD	4.25	1.00	2.00	0.63	3.00	0.81

Specify left or right hand when ordering.

RF2 Attachment



RF12 Attachment

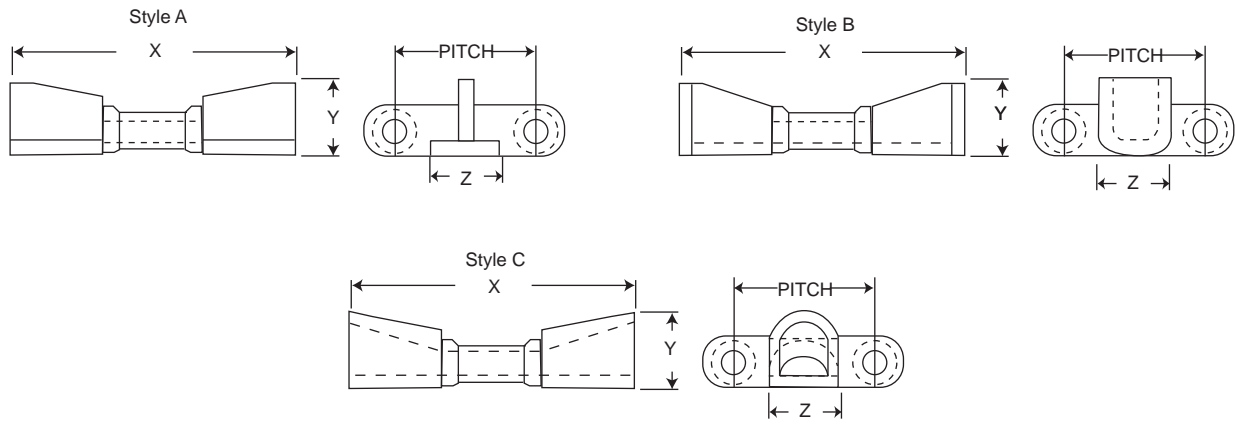


All dimensions in inches unless otherwise stated.

Chain Number	G	H	J	K	Approx. weight (lbs./ft.)
WR-78	2.69	1.50	0.25	3.00	7.7
WR-78XHD	2.69	1.50	0.38	3.00	10.7
WR-82XHD	2.75	2.14	0.38	3.25	12.3
WR-124	3.25	2.00	0.50	4.25	15.8
WR-111	3.25	2.13	0.50	7.75	14.5
WR-132	3.50	3.00	0.75	9.00	28.5

Specify both K and G dimensions when ordering.

Log Cradle Attachments

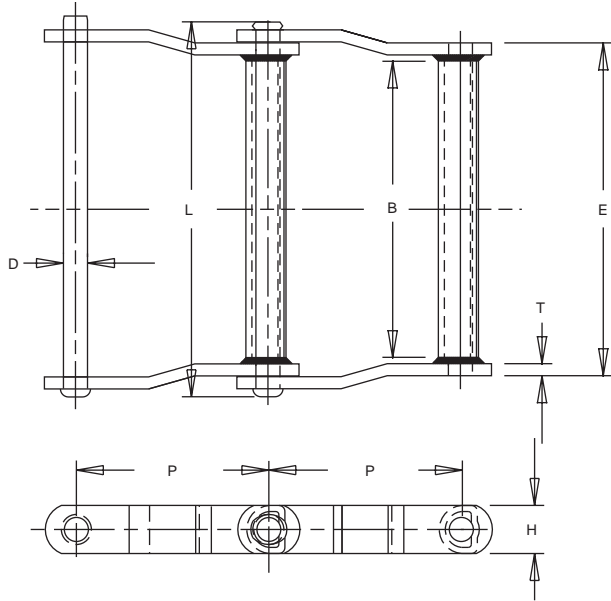


All dimensions in inches unless otherwise stated.

Chain Number	Pitch	Style A			Style B			Style C			Special Style C		
		X	Y	Z	X	Y	Z	X	Y	Z	X	Y	Z
WR-124	4.00	8.00	2.50	2.50	8.00	2.50	2.25	8.00	2.25	3.50	11.00	2.94	3.00
WR-111	4.76	8.50	2.25	1.75	8.50	3.00	2.25	8.50	2.25	3.50	11.00	2.94	3.00
WR-124XHD	4.05	8.50	3.00	2.50	8.50	3.00	2.50	8.50	3.00	3.00	11.00	3.75	3.00
WR-106	6.00	8.00	2.25	3.00	8.00	2.25	2.25	8.00	2.25	3.50	11.63	2.94	3.50
WR-132	6.05	11.00	3.00	3.00	11.00	3.00	3.25	11.00	3.00	3.50	13.00	3.50	3.50
WR-132XHD	6.05	11.25	3.00	3.00	11.25	3.00	3.00	11.63	3.00	3.50	13.63	3.25	3.50

Section B

Drag Chains move very heavy loads. They provide efficient and economical service when used in drag conveyor applications such as those involving chips and sawdust. Like Mill Chains, Drag Chains combine strength, precision, impact resistance, and wear resistance. This versatile and economical chain is built to withstand punishing shock loads and abrasive conditions to provide longer wear life in your operation. Applications include chip and refuse conveying in sawmills. Easy attachment weldability.



Drag Chain

All dimensions in inches unless otherwise stated.

Chain Number	Pitch P	Side Bars		Pin Dia. D	Chain Width		Effective Distance Between Welds B	Ultimate Strength (lbs.)	Maximum Allowable Load (lbs.)	Approx. Weight (lbs./ft.)
		Thickness T	Height H		Overall L	Length of Bearing E				
WD-102	5.000	0.38	1.50	0.75	9.25	7.75	6.38	51,000	10,200	12.1
WDH-104	6.000	0.38	1.50	0.75	6.75	5.38	4.13	57,000	10,200	10.1
WD-110	6.000	0.38	1.50	0.75	11.75	10.25	9.00	51,000	10,200	12.7
WDH-110	6.000	0.38	1.50	0.75	11.75	10.25	9.00	56,000	8,000	12.7
WD-112	8.000	0.38	1.50	0.75	11.75	10.25	9.00	51,000	10,200	10.4
WD-116	8.000	0.38	1.75	0.75	15.50	14.13	13.00	51,000	10,200	14.8
WD-118	8.000	0.50	2.00	* 0.88	16.63	14.88	13.25	70,000	14,000	18.7
WD-120	6.000	0.50	2.00	* 0.88	12.00	10.25	8.75	70,000	14,000	18.4
WD-122	8.000	0.50	2.00	* 0.88	12.00	10.25	8.75	70,000	14,000	15.3
WD-480	8.000	0.50	2.00	* 0.88	14.50	12.75	11.00	70,000	14,000	20.0
WDH-480	8.000	0.50	2.00	* 0.88	14.50	12.75	11.00	85,000	17,286	20.0
† WDRS480-SH	8.000	0.50	2.00	1.00	14.50	12.75	11.00	85,000	17,100	20.0
WD-580	8.000	0.50	2.00	1.00	14.50	12.75	11.00	70,000	10,000	20.0

* Also available in 1" pin diameter.

Heavy Duty and "Super Hog" Style Drag Chain

All dimensions in inches unless otherwise stated.

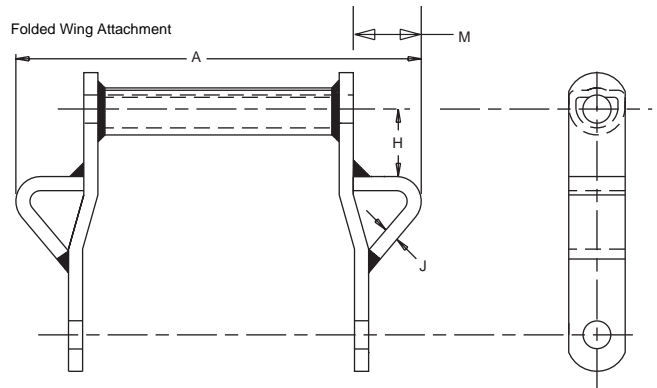
Chain Number	Pitch P	Side Bars		Pin Dia. D	Chain Width		Effective Distance Between Welds B	Ultimate Strength (lbs.)	Maximum Allowable Load (lbs.)	Approx. Weight (lbs./ft.)
		Thickness T	Height H		Overall L	Length of Bearing E				
WD-120XHD	6.000	0.63	2.00	1.00	12.75	10.50	8.75	122,000	24,000	22.5
WD-118XHD	8.000	0.63	2.00	1.00	17.38	15.13	11.00	122,000	24,000	22.5
WD-122XHD	8.000	0.63	2.00	1.00	12.75	10.50	8.75	122,000	24,000	19.5
WD-480XHD	8.000	0.63	2.00	1.00	15.25	13.00	11.00	122,000	24,000	21.0
† WDRS480XHD-SH	8.000	0.63	2.00	1.00	15.25	13.00	11.00	122,000	24,000	23.0

† "Super Hog" style.

Folded Wing Attachment

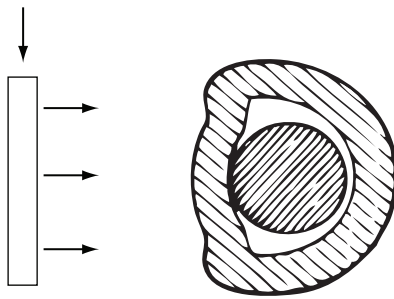
All dimensions in inches unless otherwise stated.

Chain Number	A *	H	J	M
WD-102	14.50	1.50	0.38	3.25
WD-104	12.00	2.25	0.38	3.38
WD-110	17.00	2.25	0.38	3.38
WD-112	17.00	2.25	0.38	3.38
WD-113	17.00	2.25	0.38	3.38
WD-116	22.00	2.50	0.38	3.94
WD-118	22.00	2.50	0.50	3.56
WD-120	17.00	2.50	0.50	3.38
WD-122	17.00	2.50	0.50	3.38
WD-480	22.00	2.50	0.50	4.63
WD-120XHD	17.25	2.50	0.50	3.25
WD-118XHD	22.25	2.50	0.50	3.44
WD-480XHD	22.25	2.50	0.50	4.50



*The nominal dimension is shown in the chart. Please specify exact width required when order is placed.

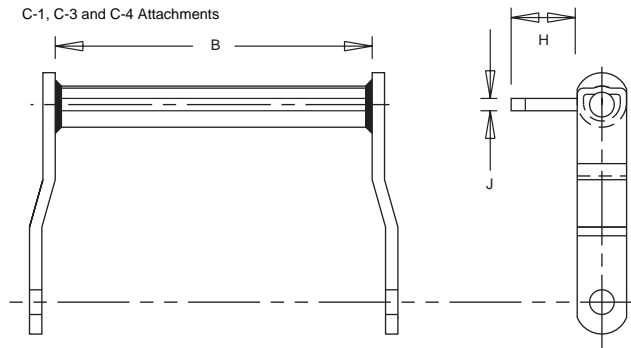
C-1/2 Attachments



End view of drag chain barrel
C-1/2 is welded to barrel face.

(See note below)

C-1, C-3 and C-4 Attachments



C1/2, C1, C-3 and C-4 Attachments

All dimensions in inches unless otherwise stated.

Chain Number	C-1/2*			C-1			C-3			C-4		
	B	J	H	B	J	H	B	J	H	B	J	H
WD-102	6.75	0.38	1.50	6.75	0.38	1.50	6.75	0.38	1.75	6.75	0.38	3.00
WD-104	4.50	0.38	1.50	4.50	0.38	1.50	4.50	0.38	1.75	4.50	0.38	3.00
WD-110	9.25	0.38	1.50	9.25	0.38	1.50	9.25	0.38	1.75	9.25	0.38	3.00
WD-112	9.25	0.38	1.50	9.25	0.38	1.50	9.25	0.38	1.75	9.25	0.38	3.00
WD-113	9.00	0.50	1.50	9.00	0.50	1.75	9.00	0.50	1.75	9.00	0.50	4.00
WD-116	13.00	0.38	1.75	13.00	0.38	1.75	13.00	0.38	1.75	13.00	0.38	4.00
WD-118	13.50	0.50	2.00	13.50	0.50	1.75	13.50	0.50	2.00	13.50	0.50	4.00
WD-120	9.00	0.50	2.00	9.00	0.50	1.75	9.00	0.50	2.00	9.00	0.50	4.00
WD-122	9.00	0.50	2.00	9.00	0.50	1.75	9.00	0.50	2.00	9.00	0.50	4.00
WD-480	11.50	0.50	2.00	11.50	0.50	1.75	11.50	0.50	2.00	11.50	0.50	4.00

*Note: C-1/2 attachments are welded on front barrel. C-1, C-3, C-4 attachments are welded on top of barrel. C-1/2 attachments do not extend above sidebar height.