

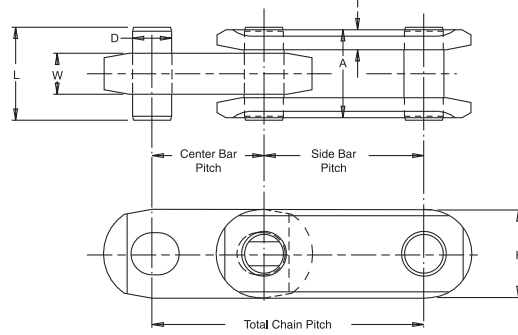
Dairy/Ice Cream

From in-floor conveyors to freezer tunnels, Tsubaki understands your distinct challenges and has the widest range of products to suit dairy applications.

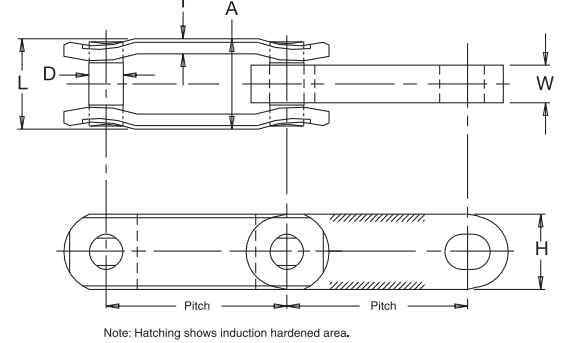
When insight really matters

Dairy Case Conveyor Chain

DF-3498



DF-3500 and DF-3910



All dimensions are in inches unless otherwise indicated.

Chain Number	Chain Width		Link Plate		Pin		Minimum Flex Radius	Average Tensile Strength (lbs.)	Maximum Allowable Work Load (lbs.)	Approx. Weight (lbs./ft.)	
	Pitch	Overall Width									Width of Inner Link
			A	W	T	H					
DF-3498	1.750 2.500	1.45	.64	.31	1.40	.63	1.45	18.00	50,000	4,000	3.9
DF-3500	2.500 3.000	1.50	.63	.25	1.25	.57	1.46	20.00	48,000	4,000	3.3
DF-3910	3.000 3.000	1.50	.63	.25	1.25	.57	1.46	22.00	48,000	4,000	3.3

Note: Dimensions are subject to change. Contact Tsubaki to obtain certified prints for design and construction.

Hardener Chain



Ice Cream Hardener Chain C2080H cw SK1

