

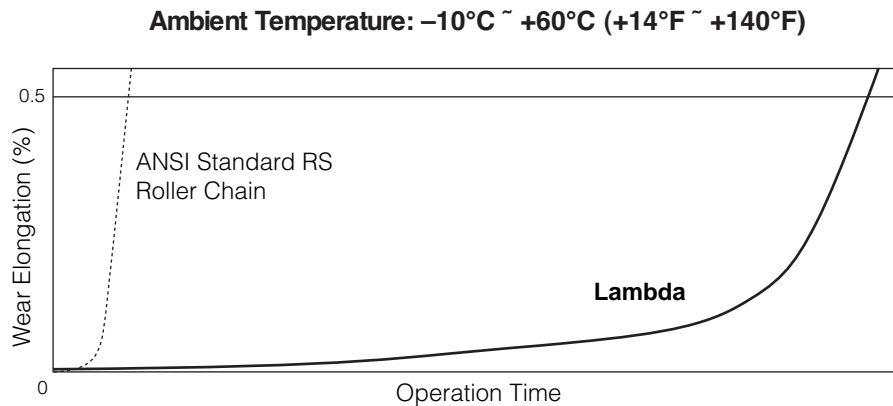
“Original” Lambda Lube-Free Conveyor Chain

Lambda chain increases productivity and saves money.

- Reduce maintenance time.
- Eliminate product contamination.
- Reduce downtime.

Long life and low maintenance

Lambda chains use special oil-impregnated bushings to provide lubrication and to prolong wear life.



- More than 14 times the wear elongation life of ANSI Standard RS Roller Chain (N.B. #120 and #140 have 5 times the life of ANSI Standard RS Roller Chain)
- In-house testing comparison (non-lubricated operation).

Interchangeability

Lambda Chain is interchangeable with ANSI Standard RS Roller Chain. However, as the pins are longer than that of Standard RS Roller Chain, please make sure that there is no interference with the machine.

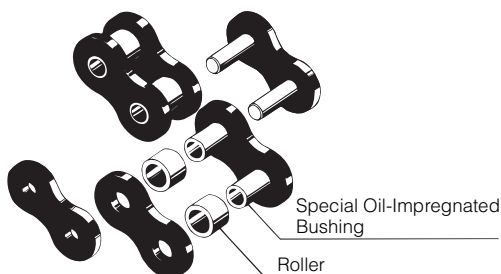
Operating Temperature

$-10^{\circ}\text{C} \sim +150^{\circ}\text{C}$ ($+14^{\circ}\text{F} \sim +302^{\circ}\text{F}$)

Sprocket

ANSI Standard RS Roller Chain sprockets can be used. (Limited to single strand Roller Chain only)

Basic Construction

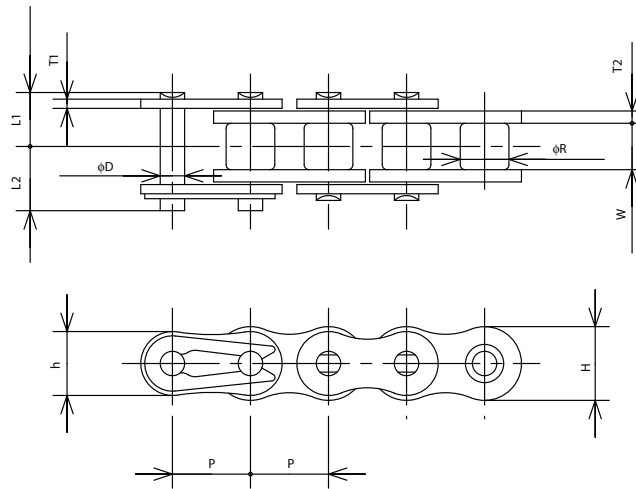


Lambda Chain (Std.): Inner/Outer plates are blackened

Lambda Chain (Nickel Plated): All nickel-plated (except bushings)

RS Single Pitch Carbon Steel/Nickel Plated

Conveyor Lambda



All dimensions in inches unless otherwise stated.

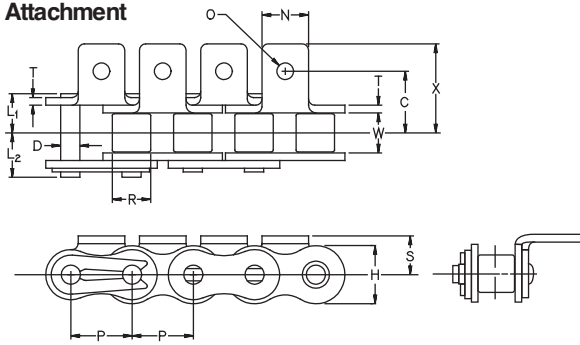
Carbon Steel Chain Number	Nickel Plated (NP) Chain Number	Pitch P	Roller Dia. R	Width Between Inner Link Plates W	Link Plate		Pin			Average Tensile Strength (lbs.)	Maximum Allowable Load (lbs.)	Approx. Weight (lbs./ft.)	
					Thickness T	Height H	Dia. D	Length L ₁ +L ₂	Length L ₁				Length L ₂
RSC35 LAMBDA	RSC35NP LAMBDA	0.375	* 0.200	0.188	0.049	0.354	0.118	0.500	0.230	0.270	2,110	340	0.22
RSC40 LAMBDA	RSC40NP LAMBDA	0.500	0.312	0.313	0.059	0.472	0.156	0.717	0.325	0.392	3,520	590	0.43
RSC50 LAMBDA	RSC50NP LAMBDA	0.625	0.400	0.375	0.079	0.591	0.200	0.878	0.406	0.472	5,720	970	0.70
RSC60 LAMBDA	RSC60NP LAMBDA	0.750	0.469	0.500	0.094	0.713	0.235	1.087	0.506	0.581	8,360	1,410	1.03
RSC80 LAMBDA	RSC80NP LAMBDA	1.000	0.625	0.625	0.126	0.949	0.313	1.398	0.640	0.758	14,300	2,400	1.78
RSC100 LAMBDA	RSC100NP LAMBDA	1.250	0.750	0.750	0.157	1.185	0.376	1.677	0.778	0.900	22,440	3,830	2.67

* denotes that this size RSC35 is rollerless. The value shown is for the bushing diameter.

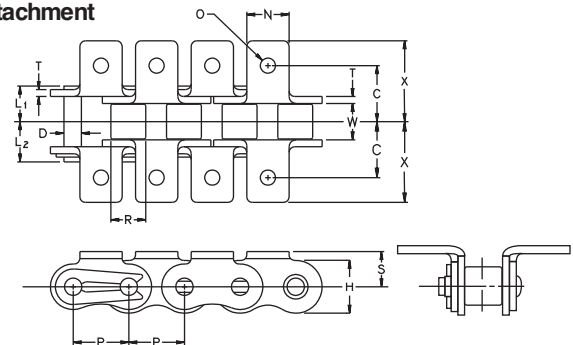
RS Single Pitch Carbon Steel/Nickel Plated Conveyor Lambda

Section B

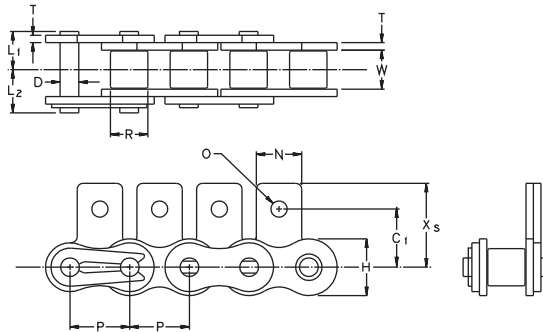
A-1 Attachment



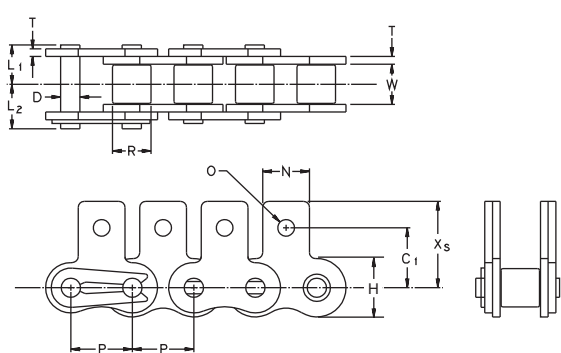
K-1 Attachment



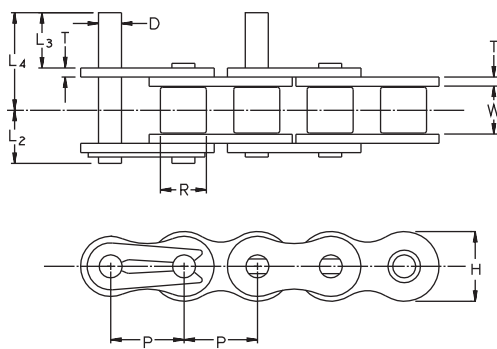
SA-1 Attachment



SK-1 Attachment



D-1 Attachment



All dimensions in inches unless otherwise stated.

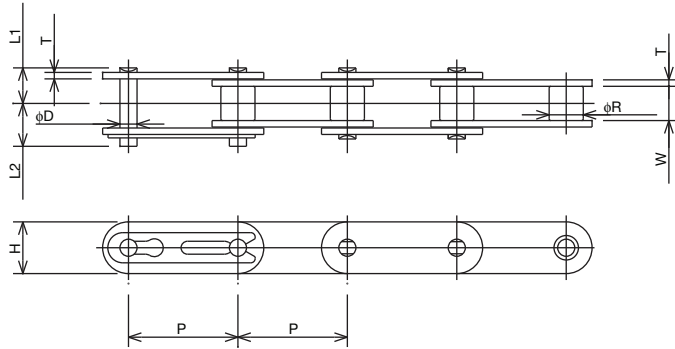
Carbon Steel Chain Number	Nickel Plated (NP) Chain Number	C	C ₁	N	O	S	X	X ₂	X _s	L ₃	L ₄	Additional Wt. per Attach. (lbs.)		
												A, SA	K, SK	D
RSC35 LAMBDA	RSC35NP LAMBDA	0.374	0.374	0.311	0.102	0.250	0.563	0.563	0.573	0.374	0.575	0.002	0.004	0.002
RSC40 LAMBDA	RSC40NP LAMBDA	0.500	0.500	0.374	0.142	0.315	0.701	0.701	0.685	0.374	0.659	0.004	0.009	0.002
RSC50 LAMBDA	RSC50NP LAMBDA	0.626	0.626	0.500	0.205	0.406	0.921	0.921	0.907	0.469	0.827	0.007	0.013	0.004
RSC60 LAMBDA	RSC60NP LAMBDA	0.750	0.720	0.626	0.205	0.469	1.110	1.110	1.057	0.563	1.014	0.015	0.031	0.007
RSC80 LAMBDA	RSC80NP LAMBDA	1.000	0.969	0.752	0.268	0.626	1.441	1.441	1.396	0.752	1.333	0.029	0.057	0.015
RSC100 LAMBDA	RSC100NP LAMBDA	1.250	1.252	1.000	0.343	0.780	1.768	1.768	1.732	0.937	1.644	0.057	0.114	0.026

* denotes that this size RSC35 is rollerless. The value shown is for the bushing diameter.

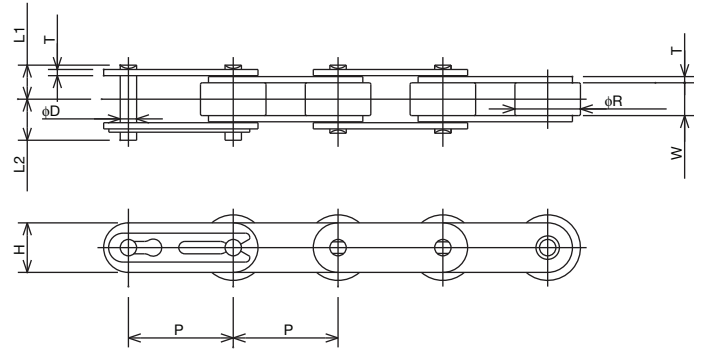
Carbon Steel/Nickel Plated-Double Pitch

Conveyor Lambda

Standard Roller Type



Upsize Roller Type

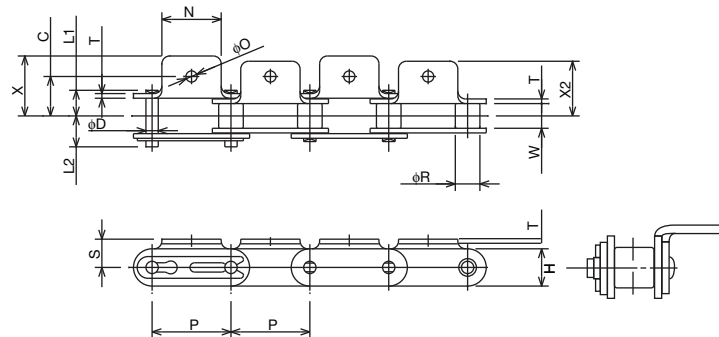


All dimensions in inches unless otherwise stated.

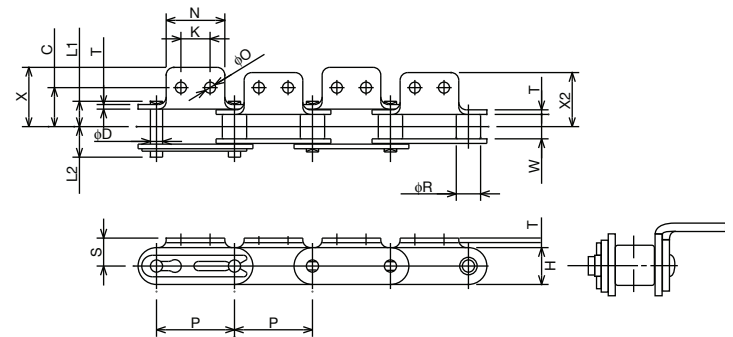
Lambda Carbon Steel Chain Number	Lambda Nickel Plated Chain Number	Pitch P	Roller Diameter R	Width Between Inner Link Plates W	Link Plate		Pin			Avg. Tensile Strength (Lbs.)	Max. Allowable Load (Lbs.)	Approximate Std. Type Roller Lbs/Ft	
					Thickness T	Height H	Diameter D	Cottered Length L1+L2	Length L1				Length L2
Standard Roller Type													
C2040 LAMBDA	C2040 LAMBDA NP	1.000	0.312	0.313	0.059	0.472	0.156	0.717	0.325	0.325	3,520	590	0.34
C2050 LAMBDA	C2050 LAMBDA NP	1.250	0.400	0.375	0.079	0.591	0.200	0.780	0.406	0.406	3,720	970	0.56
C2060H LAMBDA	C2060H LAMBDA NP	1.500	0.469	0.500	1.126	0.677	0.235	1.224	0.573	0.573	8,360	1,410	1.01
C2080H LAMBDA	C2080H LAMBDA NP	2.000	0.625	0.625	1.157	0.906	0.313	1.543	0.720	0.720	14,300	2,400	1.61
C2100H LAMBDA	C2100H LAMBDA NP	2.500	0.750	0.750	0.189	1.126	0.376	1.823	0.858	0.858	22,440	3,830	2.37
Upsize Roller Type													
C2042 LAMBDA	C2042 LAMBDA NP	1.000	0.625	0.313	0.059	0.472	0.156	0.717	0.325	0.325	3,520	590	0.58
C2052 LAMBDA	C2052 LAMBDA NP	1.250	0.750	0.375	0.079	0.591	0.200	0.780	0.406	0.406	3,720	970	0.87
C2062H LAMBDA	C2062H LAMBDA NP	1.500	0.875	0.500	1.126	0.677	0.235	1.224	0.573	0.573	8,360	1,410	1.47
C2082H LAMBDA	C2082H LAMBDA NP	2.000	1.125	0.625	1.157	0.906	0.313	1.543	0.720	0.720	14,300	2,400	2.36
C2102H LAMBDA	C2102H LAMBDA NP	2.500	1.563	0.750	0.189	1.126	0.376	1.823	0.858	0.858	22,440	3,830	3.89

Connecting links for sizes C2080H, C2082H, C2100H and C2102H are cotter pin style.

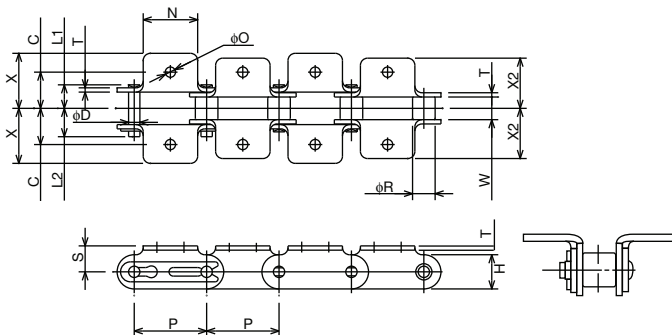
A-1 Attachment



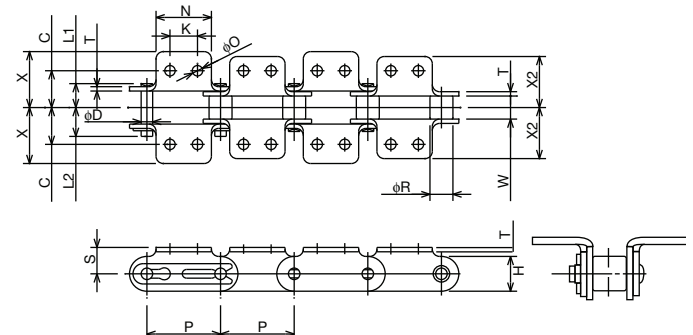
A-2 Attachment



K-1 Attachment



K-2 Attachment

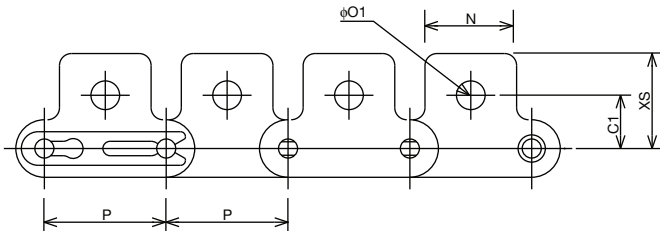


Carbon Steel/Nickel Plated-Double Pitch

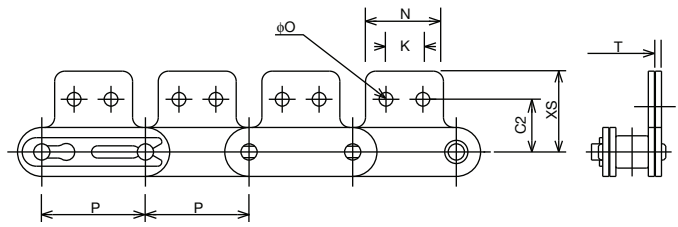
Conveyor Lambda

Section B

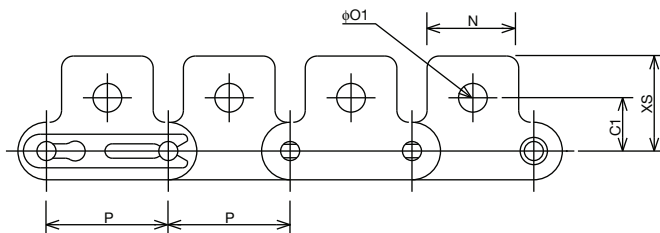
SA-1 Attachment



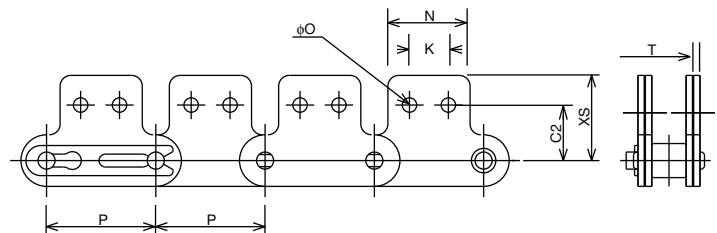
SA-2 Attachment



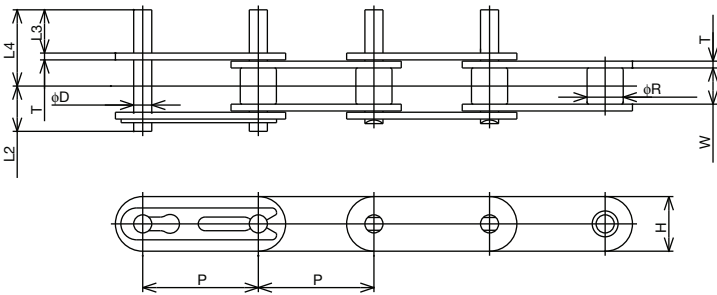
SK-1 Attachment



SK-2 Attachment



D Attachment



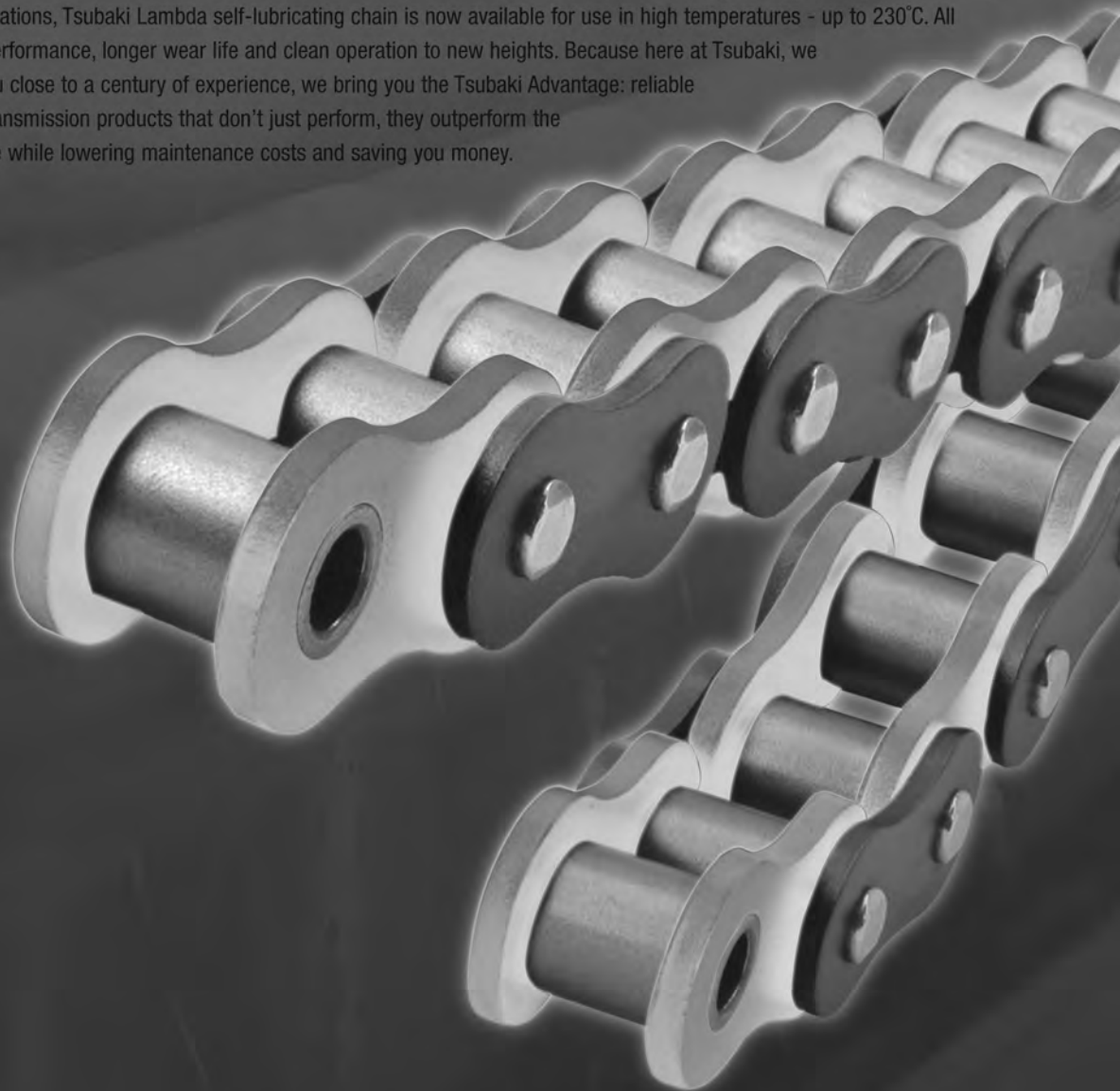
All dimensions in inches unless otherwise stated.

Carbon Steel Chain Number	Nickel Plated (NP) Chain Number	Attachment Dimensions							
		C	C ₁	C ₂	K	N	O	O ₁	S
C2040 LAMBDA	C2040NP LAMBDA	0.500	0.437	0.535	0.374	0.750	0.141	0.205	0.358
C2050 LAMBDA	C2050NP LAMBDA	0.625	0.563	0.626	0.469	0.937	0.205	0.268	0.437
C2060H LAMBDA	C2060HNP LAMBDA	0.844	0.689	0.750	0.563	1.125	0.205	0.343	0.579
C2080H LAMBDA	C2080HNP LAMBDA	1.094	0.874	1.000	0.752	1.500	0.268	0.406	0.752
C2100H LAMBDA	C2100HNP LAMBDA	1.313	1.126	1.252	0.937	1.874	0.343	0.563	0.921

Carbon Steel Chain Number	Nickel Plated (NP) Chain Number	Attachment Dimensions								Additional Wt./Attachment (lbs.)		
		T	X	X ₂	X _S	D	L ₃	L ₄	G	A, SA Attach.	K, SK Attach.	D Attach.
C2040 LAMBDA	C2040NP LAMBDA	0.059	0.760	0.693	0.780	0.156	0.374	0.663	0.161	0.007	0.013	0.002
C2050 LAMBDA	C2050NP LAMBDA	0.079	0.953	0.866	0.969	0.200	0.469	0.833	0.201	0.013	0.026	0.004
C2060H LAMBDA	C2060HNP LAMBDA	0.126	1.240	1.110	1.205	0.235	0.563	1.083	0.240	0.037	0.075	0.007
C2080H LAMBDA	C2080HNP LAMBDA	0.157	1.602	1.441	1.594	0.313	0.752	1.401	0.319	0.070	0.141	0.015
C2100H LAMBDA	C2100HNP LAMBDA	0.189	1.965	1.767	1.984	0.376	0.937	1.709	0.398	0.132	0.264	0.026



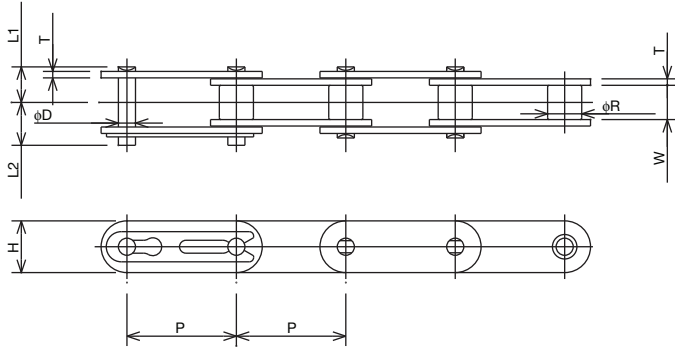
For maximum performance, durability, and flexibility the only true self-lubricating chain to trust is Lambda. Compatible with a wide range of canning, bottling, baking and other high temperature applications, Tsubaki Lambda self-lubricating chain is now available for use in high temperatures - up to 230°C. All the while taking performance, longer wear life and clean operation to new heights. Because here at Tsubaki, we don't just bring you close to a century of experience, we bring you the Tsubaki Advantage: reliable premium power transmission products that don't just perform, they outperform the competition. All the while lowering maintenance costs and saving you money.



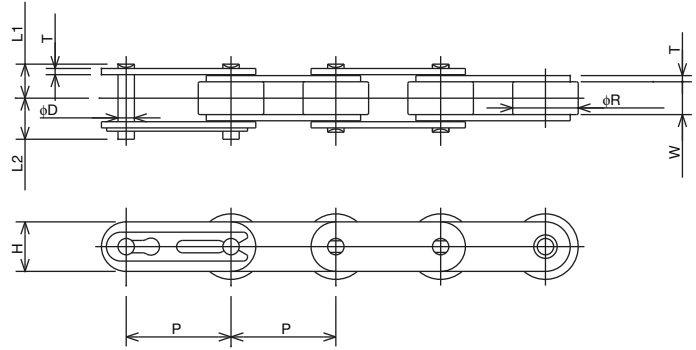
*Lambda self-lubricating chain. We created it, we perfected it, now we make it heat-resistant.**

Heat Resistant Conveyor Lambda Up to 230°C.

Standard Roller Type



Override Roller Type



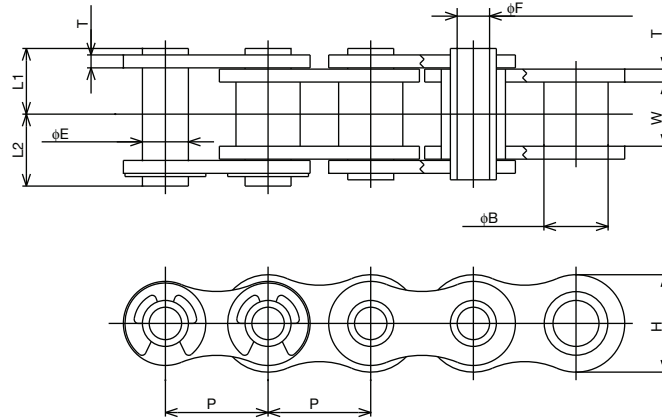
All dimensions in inches unless otherwise stated.

Lambda Carbon Steel Chain Number	Pitch P	Roller Diameter R	Width Between Inner Link Plates W	Link Plate		Pin			Avg. Tensile Strength (Lbs.)	Max. Allowable Load (Lbs.)	Approximate Weight (Lbs./Ft)	
				Thickness T	Height H	Diameter D	Cottered Length L1+L2	Length L1				Length L2
Standard Roller Type												
C2040 K-LAMBDA	1.000	0.312	0.313	0.059	0.472	0.156	0.717	0.325	0.325	3,520	590	0.34
C2050 K-LAMBDA	1.250	0.400	0.375	0.079	0.591	0.200	0.780	0.406	0.406	3,720	970	0.56
C2060H K-LAMBDA	1.500	0.469	0.500	1.126	0.677	0.235	1.224	0.573	0.573	8,360	1,410	1.01
C2080H K-LAMBDA	2.000	0.625	0.625	1.157	0.906	0.313	1.543	0.720	0.720	14,300	2,400	1.61
Override Roller Type												
C2042 K-LAMBDA	1.000	0.625	0.313	0.059	0.472	0.156	0.717	0.325	0.325	3,520	590	0.58
C2052 K-LAMBDA	1.250	0.750	0.375	0.079	0.591	0.200	0.780	0.406	0.406	3,720	970	0.87
C2062H K-LAMBDA	1.500	0.875	0.500	1.126	0.677	0.235	1.224	0.573	0.573	8,360	1,410	1.47
C2082H K-LAMBDA	2.000	1.125	0.625	1.157	0.906	0.313	1.543	0.720	0.720	14,300	2,400	2.36

Connecting links for sizes C2080H, C2082H, C2100H and C2102H are cotter pin style.

RS Single Pitch Hollow Pin

Conveyor Lambda



All dimensions in inches unless otherwise stated.

Chain Number	Pitch P	Bushing Diameter B	Width Between Inner Link Plates W	Link Plate		Pin					Average Tensile Strength (lbs.)	Maximum Allowable Load (lbs.)	Approximate Weight (lbs./ft.)
				Thickness T	Height H	Outer Diameter E	Inner Diameter (min.) F	Length L ₁ + L ₂	Length L ₁	Length L ₂			
RSC40HP-LAMBDA	0.500	0.312	0.313	0.059	0.472	0.224	0.157	0.689	0.315	0.374	2,420	330	0.36
RSC50HP-LAMBDA	0.625	0.400	0.375	0.079	0.591	0.284	0.202	0.854	0.396	0.459	4,400	570	0.58
RSC60HP-LAMBDA	0.750	0.469	0.500	0.094	0.713	0.330	0.236	1.055	0.494	0.561	5,940	770	0.85
RSC80HP-LAMBDA	1.000	0.625	0.625	0.126	0.949	0.448	0.316	1.341	0.640	0.701	10,780	1,390	1.44

Hollow Pin-Double Pitch

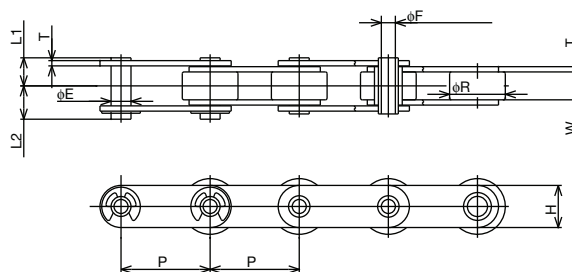
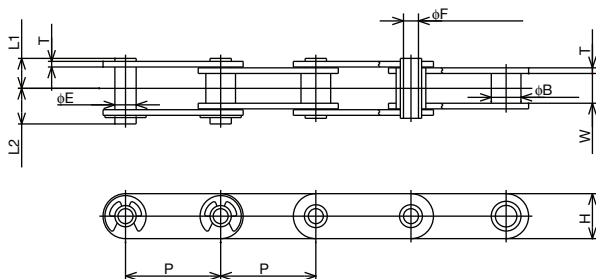
Conveyor Lambda

Section B



Standard Bushed Type

OverSize Roller Type



All dimensions in inches unless otherwise stated.

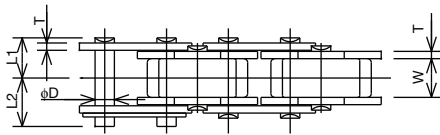
Chain Number	Pitch P	Bushing Diameter B	Roller Diameter R	Width Between Inner Link Plates W	Link Plate		Pin					Average Tensile Strength (lbs.)	Maximum Allowable Load (lbs.)	Approx. Weight (lbs./ft.)
					Thickness T	Height H	Outer Dia. E	Inner Dia. F (min.)	Length L ₁ + L ₂	Length L ₁	Length L ₂			
Standard Bushed Type														
C2040HP-LAMBDA	1.000	0.312	-	0.313	0.059	0.472	0.224	0.157	0.689	0.315	0.374	2,420	330	0.31
C2050HP-LAMBDA	1.250	0.400	-	0.375	0.079	0.591	0.284	0.202	0.854	0.396	0.459	4,400	570	0.50
C2060HP-LAMBDA	1.500	0.469	-	0.500	0.094	0.677	0.330	0.236	1.055	0.494	0.561	5,940	770	0.92
C2080HP-LAMBDA	2.000	0.625	-	0.625	0.126	0.905	0.448	0.316	1.341	0.640	0.701	10,780	1,390	1.21
OverSize Roller Type														
C2042HP-LAMBDA	1.000	-	0.625	0.313	0.059	0.472	0.224	0.157	0.689	0.315	0.374	2,420	330	0.55
C2052HP-LAMBDA	1.250	-	0.750	0.375	0.079	0.591	0.284	0.202	0.854	0.396	0.459	4,400	570	0.81
C2062HP-LAMBDA	1.500	-	0.875	0.500	0.094	0.677	0.330	0.236	1.055	0.494	0.561	5,940	770	1.38
C2082HP-LAMBDA	2.000	-	1.125	0.625	0.126	0.905	0.448	0.316	1.341	0.640	0.701	10,780	1,390	1.88

RS Single Pitch Plastic Top Roller

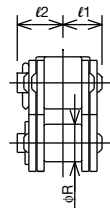
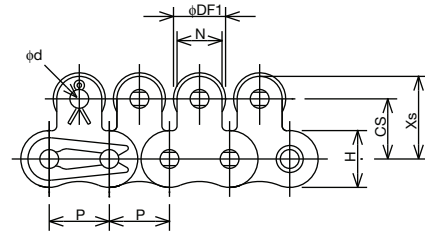
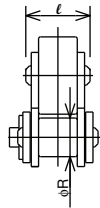
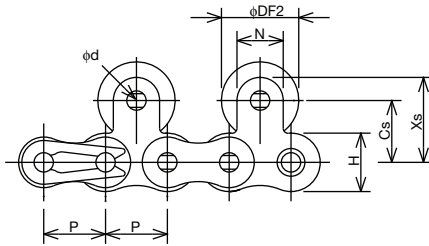
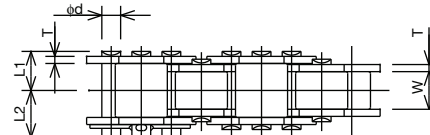
Conveyor Lambda



Top rollers spaced at every second link.



Top rollers spaced at every link.



All dimensions in inches unless otherwise stated.

Chain Number	Pitch P	Roller Dia. R	Width Between Inner Link Plates W	Link Plate		Pin			Approximate Weight Plastic Top Roller		
				Thickness T	Height H	Dia. D	Length L ₁ + L ₂	Length L ₁	Length L ₂	At Every Link (lbs./ft.)	At Every Second Link (lbs./ft.)
RSC40-LAMBDA-TR-P	0.500	0.312	0.313	0.059	0.472	0.156	0.717	0.325	0.392	0.62	0.57
RSC50-LAMBDA-TR-P	0.625	0.400	0.375	0.079	0.591	0.200	0.878	0.406	0.472	1.05	0.93
RSC60-LAMBDA-TR-P	0.750	0.469	0.500	0.094	0.713	0.235	1.087	0.506	0.581	1.55	1.36

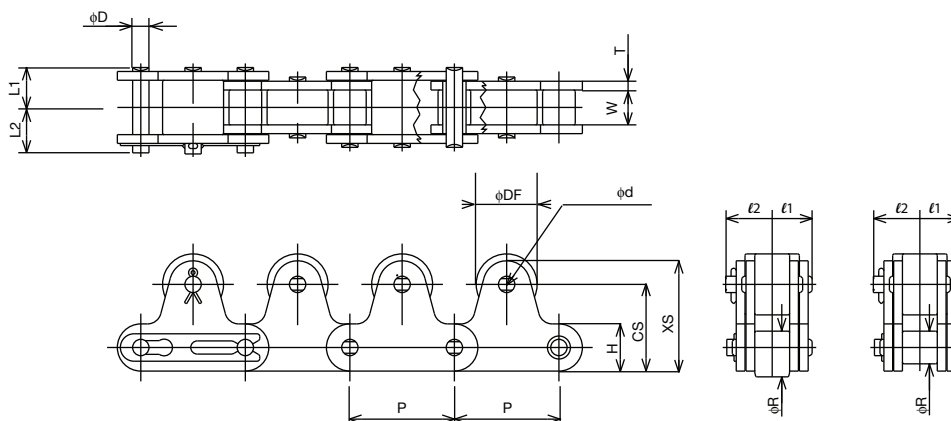
All dimensions in inches unless otherwise stated.

Chain Number	Attachment Dimensions								
	Top Roller		C _S	N	X _S	ℓ	ℓ ₁	ℓ ₂	d
	DF ₁	DF ₂							
RSC40-LAMBDA-TR-P	0.433	0.625	0.500	0.374	0.687	0.520	0.325	0.380	0.156
RSC50-LAMBDA-TR-P	0.591	0.750	0.626	0.500	0.876	0.638	0.406	0.469	0.200
RSC60-LAMBDA-TR-P	0.709	0.875	0.720	0.626	1.033	0.811	0.506	0.600	0.235

Plastic Top Roller-Double Pitch

Conveyor Lambda

Section B



All dimensions in inches unless otherwise stated.

Chain Number	Pitch P	Roller Dia. R	Width Between Inner Link Plates W	Link Plate		Pin			Approx. Weight (lbs./ft.)	
				Thickness T	Height H	Dia. D	Length L ₁ + L ₂	Length L ₁		Length L ₂
Standard Roller Type										
C2040-LAMBDA-TR-P	1.000	0.312	0.313	0.059	0.472	0.156	0.717	0.325	0.392	0.61
C2050-LAMBDA-TR-P	1.250	0.400	0.375	0.079	0.591	0.200	0.878	0.406	0.472	0.96
C2060H-LAMBDA-TR-P	1.500	0.469	0.500	0.126	0.677	0.235	1.224	0.573	0.652	1.86
Oversize Roller Type										
C2042-LAMBDA-TR-P	1.000	0.625	0.313	0.059	0.472	0.156	0.717	0.325	0.392	0.85
C2052-LAMBDA-TR-P	1.250	0.750	0.375	0.079	0.591	0.200	0.878	0.406	0.472	1.27
C2062H-LAMBDA-TR-P	1.500	0.875	0.500	0.126	0.677	0.235	1.224	0.573	0.652	2.32

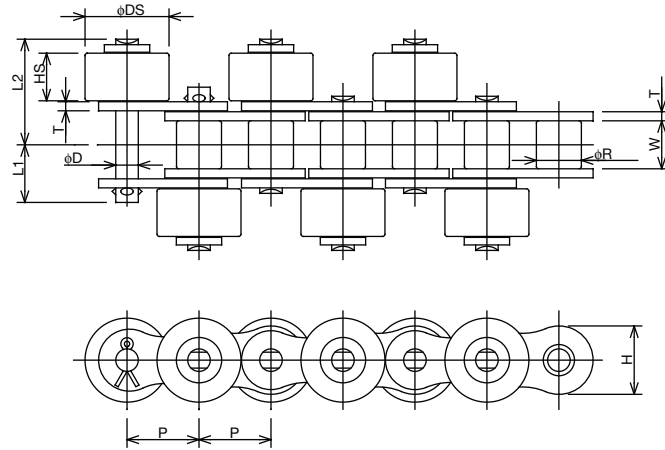
All dimensions in inches unless otherwise stated.

Chain Number	Attachment Dimensions					
	D _F	C _S	X _S	l ₁	l ₂	d
C2040-LAMBDA-TR-P	0.625	0.591	0.827	0.333	0.380	0.156
C2050-LAMBDA-TR-P	0.750	0.748	1.043	0.413	0.469	0.200
C2060H-LAMBDA-TR-P	0.875	0.906	1.244	0.581	0.667	0.235

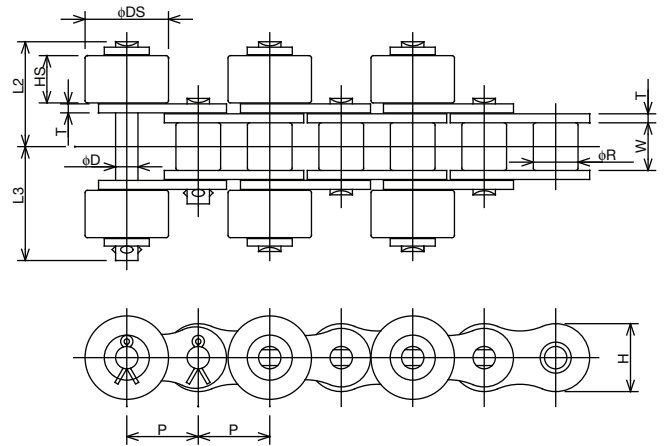
RS Single Pitch Plastic Side Roller

Conveyor Lambda

Staggered Type Installation



Horizontal (crosswise) Type Installation



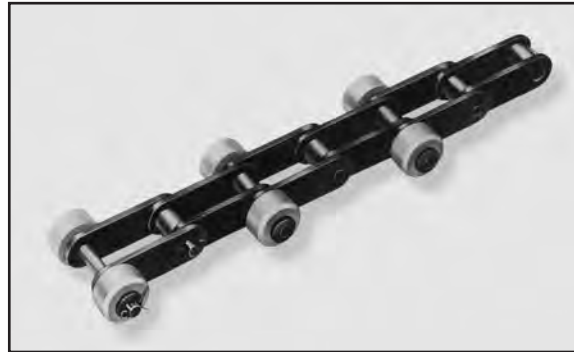
All dimensions in inches unless otherwise stated.

Chain Number	Pitch P	Roller Dia. R	Width Between Inner Link Plates W	Link Plate		Pin			Side Roller		Approx. Weight (lbs./ft.)	
				Thickness T	Height H	Dia. D	Length L ₁	Length L ₂	Length L ₃	Dia. D _S		Height H _S
RSC40 LAMBDA-SR-P	0.500	0.312	0.313	0.059	0.472	0.156	0.380	0.705	0.760	0.625	0.307	0.63
RSC50 LAMBDA-SR-P	0.625	0.400	0.375	0.079	0.591	0.200	0.469	0.850	0.913	0.750	0.370	0.95
RSC60 LAMBDA-SR-P	0.750	0.469	0.500	0.094	0.713	0.235	0.600	1.100	1.195	0.875	0.496	1.41

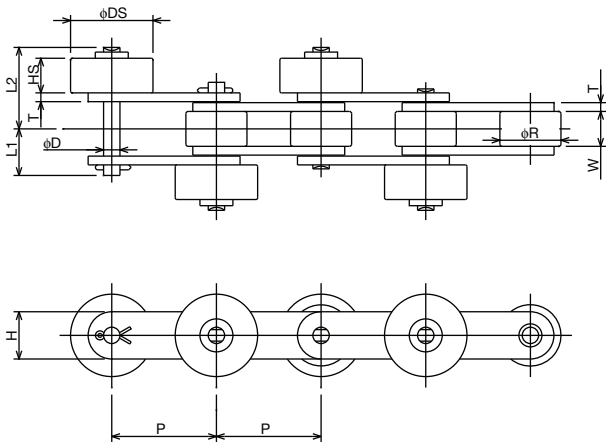
Plastic Side Roller-Double Pitch

Conveyor Lambda

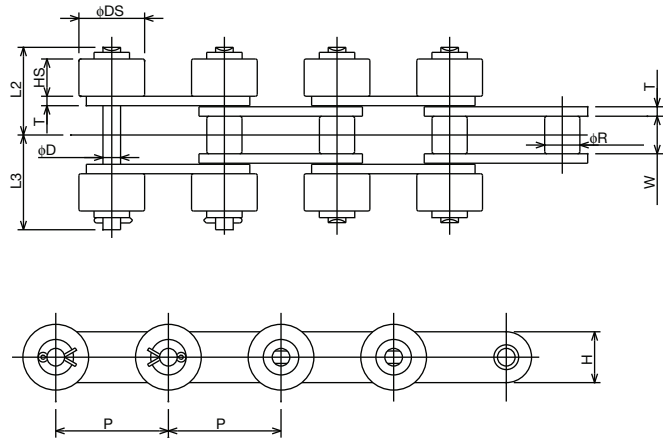
Section B



Staggered Type Installation



Horizontal Type Installation



All dimensions in inches unless otherwise stated.

Chain Number	Pitch P	Roller Dia. R	Width Between Inner Link Plates W	Link Plate		Pin				Side Roller		Approx. Weight (lbs./ft.)
				Thickness T	Height H	Dia. D	Length L ₁	Length L ₂	Length L ₃	Dia. D _S	Height H _S	
Standard Roller Type												
C2040-LAMBDA-SR-P	1.000	0.312	0.313	0.059	0.472	0.156	0.380	0.705	0.760	0.625	0.307	0.44
C2050-LAMBDA-SR-P	1.250	0.400	0.375	0.079	0.591	0.200	0.469	0.850	0.913	0.750	0.370	0.69
C2060H-LAMBDA-SR-P	1.500	0.469	0.500	0.094	0.713	0.235	0.600	1.100	1.195	0.875	0.496	1.21
Oversize Roller Type												
C2042-LAMBDA-SR-P	1.000	0.625	0.313	0.059	0.472	0.156	0.380	0.909	1.000	0.906	0.512	0.83
C2052-LAMBDA-SR-P	1.250	0.750	0.375	0.079	0.591	0.200	0.469	0.996	1.063	1.063	0.512	1.14
C2062H-LAMBDA-SR-P	1.500	0.875	0.500	0.094	0.713	0.235	0.600	1.167	1.262	1.181	0.512	1.77

Top Chain Nickel Plated

Conveyor Lambda

Stainless Steel Top Plates



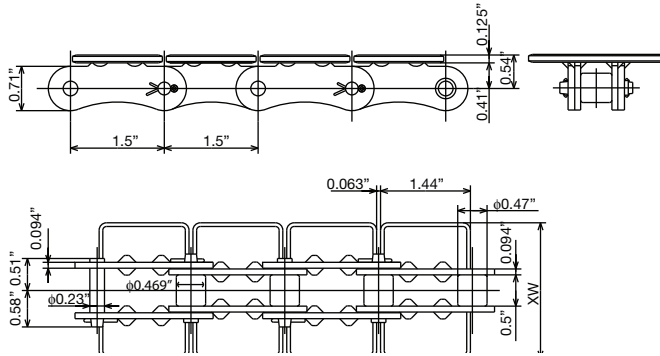
P Type



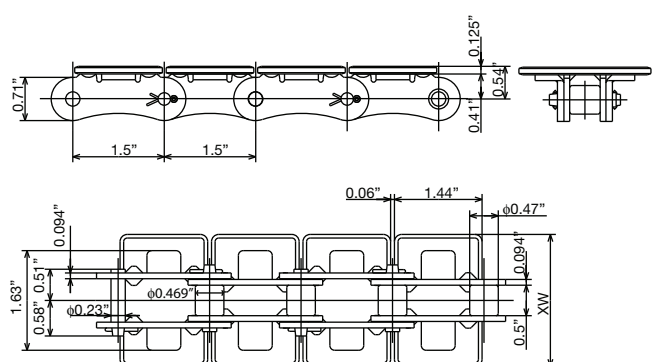
PA Type



P Type



PA Type



All dimensions in inches unless otherwise stated.

P Type Nickel Plated Chain Number	PA Type Nickel Plated Chain Number	Top Plate Width XW	Approximate Weight		Maximum Allowable Load (lbs.)
			P Type (lbs./ft.)	PA Type (lbs./ft.)	
TS550NP-P-LAMBDA	TS550NP-PA-LAMBDA	2.17"	1.7	1.9	660
TS635NP-P-LAMBDA	TS635NP-PA-LAMBDA	2.50"	1.8	2.0	660
TS762NP-P-LAMBDA	TS762NP-PA-LAMBDA	3.00"	2.0	2.2	660
TS826NP-P-LAMBDA	TS826NP-PA-LAMBDA	3.25"	2.1	2.3	660
TS950NP-P-LAMBDA	TS950NP-PA-LAMBDA	3.74"	2.3	2.5	660
TS1016NP-P-LAMBDA	TS1016NP-PA-LAMBDA	4.00"	2.5	2.7	660
TS1100NP-P-LAMBDA	TS1100NP-PA-LAMBDA	4.33"	2.6	2.8	660
TS1143NP-P-LAMBDA	TS1143NP-PA-LAMBDA	4.50"	2.7	2.9	660
TS1270NP-P-LAMBDA	TS1270NP-PA-LAMBDA	5.00"	2.9	3.1	660
TS1524NP-P-LAMBDA	TS1524NP-PA-LAMBDA	6.00"	3.3	3.5	660
TS1905NP-P-LAMBDA	TS1905NP-PA-LAMBDA	7.50"	3.9	4.1	660