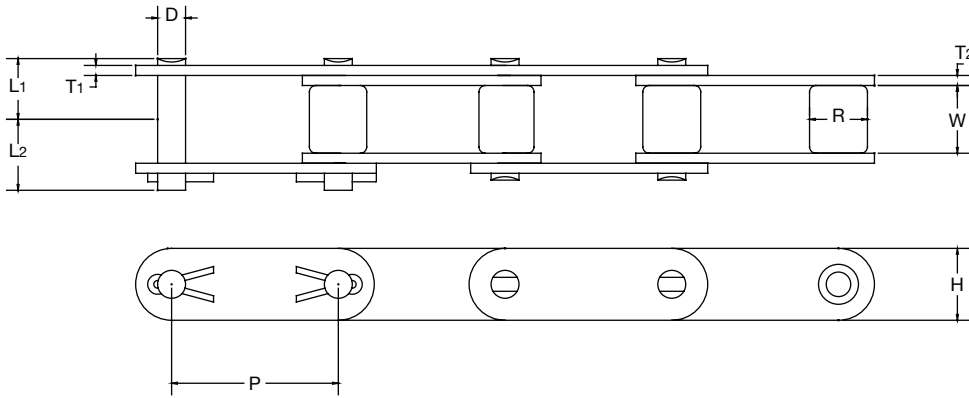
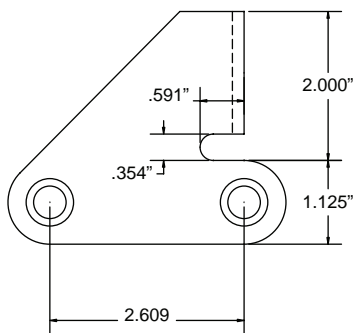
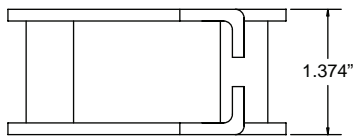


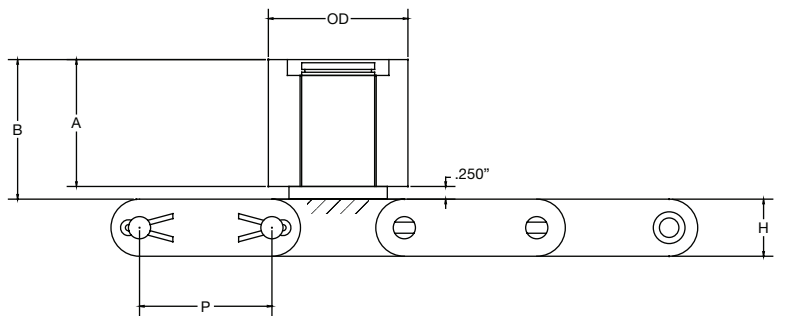
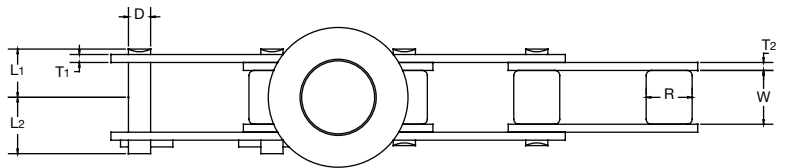
These multi-purpose chains are ideal for such forestry applications as: sorters, conveying and transferring and also for trimming lines. 81X chain is also used in general industry applications such as palletizing and the transfer of steel bars. Tsubaki offers 4 types of 81X: standard, heavy duty (HD), lube free Lambda and type 304 stainless steel.



Roller Link Pusher Attachment
(Pusher attachment also available for connecting link)



Trimmer Lug with Roller Attachment



Note: Trimmer Lug will be welded onto the pin link or roller link depending on spacing requirements. Specify dimensions A, B and outside diameter when ordering. Tsubaki offers various sizes of trimmer lug weld-on attachments. Consult Tsubaki Technical Support for more information.

All dimensions in inches unless otherwise stated.

Chain Number	Pitch P	Roller Diameter R	Width Between Inner Link Plates W	Link Plate			Pin			Average Tensile Strength (lbs.)	Approx. Weight (lbs./ft.)	
				Thickness T ₁	Thickness T ₂	Height H	Diameter D	Length L ₁ +L ₂	Length L ₁			Length L ₂
81X	2.609	0.906	1.060	0.157	0.157	1.125	0.437	2.063	0.951	1.112	24,000	2.42
81X Premium	2.609	0.906	1.060	0.157	0.157	1.125	0.437	2.063	0.951	1.112	24,000	2.42
81XHD	2.609	0.906	1.060	0.315	0.315	1.260	0.437	2.536	1.181	1.355	42,000	4.12
81XHD Premium	2.609	0.906	1.060	0.220	0.315	1.260	0.437	2.536	1.181	1.355	42,000	4.12
81X Lambda	2.609	0.906	1.060	0.157	0.189	1.125	0.437	2.146	0.998	1.148	24,000	2.42
81XSS	2.609	0.906	1.060	0.157	0.157	1.125	0.437	2.063	0.951	1.112	11,000	2.42