

# TSUBAKI SEALED JOINT OPTIONS

Most chain wear and elongation is the result of abrasion wear on the pins. Tsubaki's unique seal designs help keep abrasive debris from entering the critical pin-bushing area, ultimately extending the life of the chain.

Depending on the type of chain and the specific application, Tsubaki can offer several types of seals. In most cases, these seal options can be incorporated individually or in combination. Please contact Tsubaki for assistance in selecting the seal design that is right for you.

## 1. Extended Bushing Barrier Seal:

The chain bushings are extended beyond the inside sidebars to minimize the clearance between the outside bars and the bushings. This in turn creates a solid barrier that inhibits abrasive material from entering the pin/bushing joint.

## 2. Polymer Wide Face Seal:

Constructed of a high temperature engineered polymer, this seal encircles the extended bushing and provides an additional particulate resistant barrier to help protect the joint and minimize contamination.

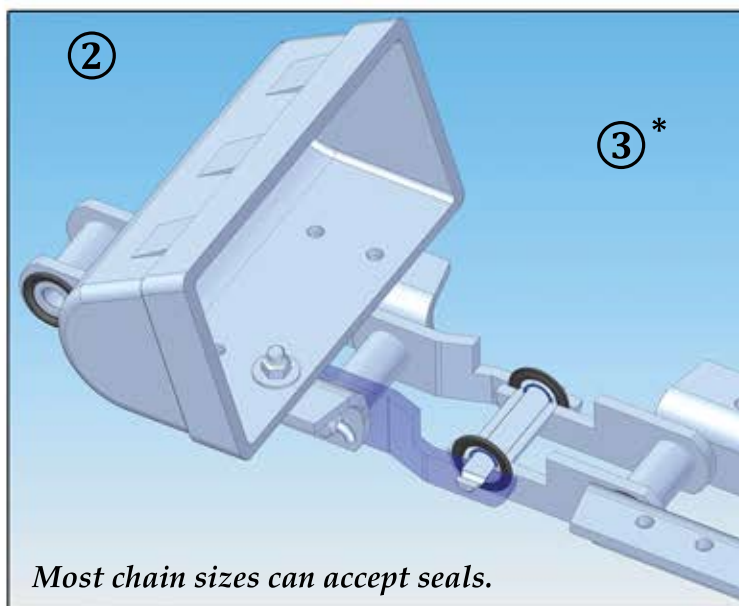
## 3. Stainless Steel Internal Ring Seal:

This patent pending seal holds tight onto the pin and rotates within a groove in the bushing, creating a labyrinth to help prevent debris from getting into the pin/bushing area.



Great in harsh industry environments such as:

- Cement
- Mining
- Paper
- Sugar
- Grain
- Asphalt



*Most chain sizes can accept seals.*

**\*Patent Pending**