



Iron Hawk™ Series

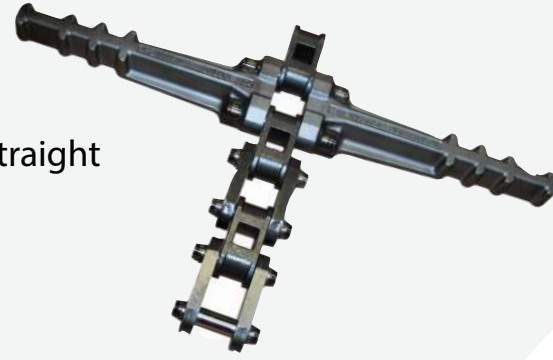
Premium American Forged Miner Chains



IRON HAWK™ SERIES CHAINS - DESIGN

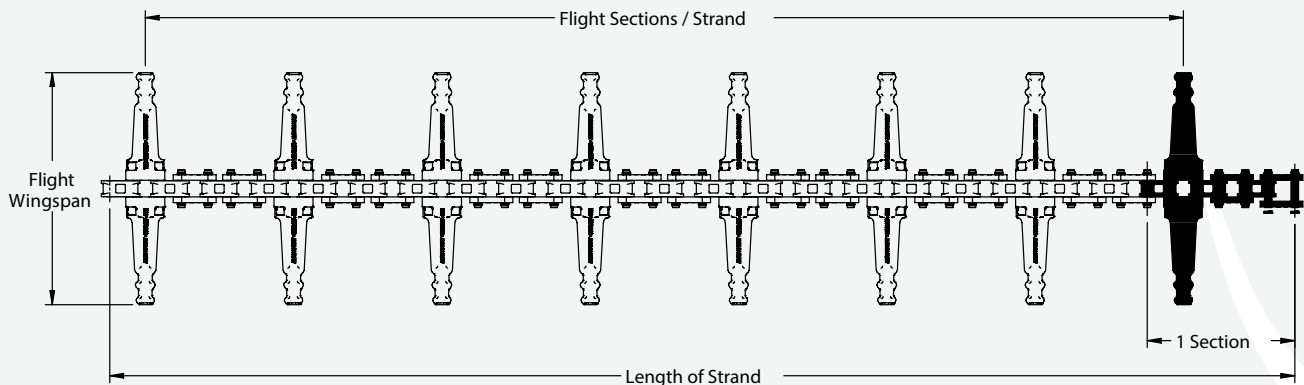
IRON HAWK - STRAIGHT

- Direct drop in replacement for most OEM Shuttle Cars and Straight Conveyor applications.
- Forged of premium domestic alloy steel.
- Designed, engineered and Made in the U.S.A.
- Heat treated to demanding proprietary standards for ultimate durability and performance.
- Innovative flight design for enhanced and efficient material transfer.
- Premium spring steel wedding band style closures; highly secure and easy to use.
- Standard wingspans of 22.5", 26.5", and 30.5". Custom lengths also available.



Straight (Wing Spacing Every 6th)

Part Number	Description	Flight Wingspan	Pitches/ Strand	Flight Sections/ Strand	Length of Strand
IH225-6	IRON HAWK STRAIGHT	22.5"	6	1	1'7.5"
IH225-48	IRON HAWK STRAIGHT	22.5"	48	8	13'
IH265-6	IRON HAWK STRAIGHT	26.5"	6	1	1'7.5"
IH265-48	IRON HAWK STRAIGHT	26.5"	48	8	13'
IH305-6	IRON HAWK STRAIGHT	30.5"	6	1	1'7.5"
IH305-48	IRON HAWK STRAIGHT	30.5"	48	8	13'



Straight Spare Parts

Part Number	Description	Flight	Contents
IH225-WING	IRON HAWK STRAIGHT WELDMENT	22.5"	3 pitch wing weldment sec. - std block link, wing, std block link
IH265-WING	IRON HAWK STRAIGHT WELDMENT	26.5"	3 pitch wing weldment sec. - std block link, wing, std block link
IH305-WING	IRON HAWK STRAIGHT WELDMENT	30.5"	3 pitch wing weldment sec. - std block link, wing, std block link
IH-CONN	IRON HAWK STRAIGHT OR SWIVEL	FITS ALL	Complete connecting link - 2 plates, 2 pins, 2 snap rings
IH-RING	IRON HAWK STRAIGHT OR SWIVEL	FITS ALL	Snap ring clips
IH-BLOCK	IRON HAWK STRAIGHT OR SWIVEL	FITS ALL	American forged block links

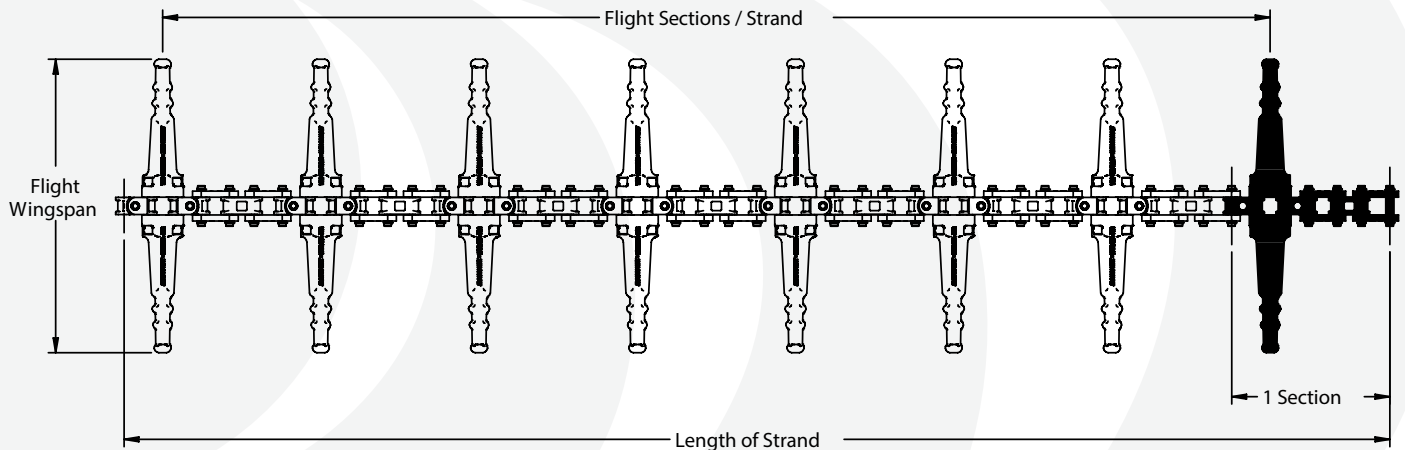
IRON HAWK - SWIVEL



- Universal direct drop in replacement for most OEM Continuous Miners and Shuttle Cars.
- Forged of premium domestic alloy steel.
- Designed, engineered and Made in the U.S.A.
- Heat treated to demanding proprietary standards for ultimate durability and performance.
- Dynamic swivel link allows for 35 degrees of rotational flexibility.
- Innovative flight design for enhanced and efficient material transfer.
- Premium spring steel wedding band style closures; highly secure and easy to use.
- Standard wingspans of 22.5", 26.5", 28.0", 30.5" and 36.2". Custom lengths also available.

Swivel (Wing Spacing Every 6th)

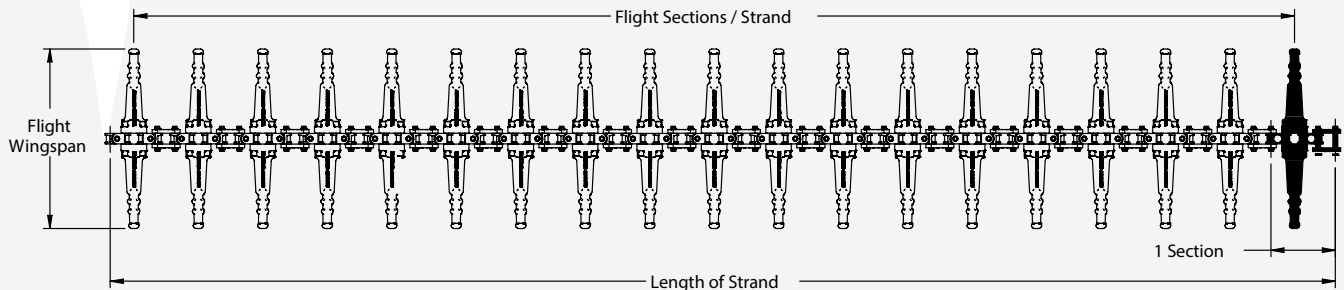
Part Number	Description	Flight Wingspan	Pitches/ Strand	Flight Sections/ Strand	Length of Strand
IHSWIVEL22.5W6L-06	IRON HAWK SWIVEL	22.5"	6	1	1'7.5"
IHSWIVEL22.5W6L-48	IRON HAWK SWIVEL	22.5"	48	8	13'
IHSWIVEL26.5W6L-06	IRON HAWK SWIVEL	26.5"	6	1	1'7.5"
IHSWIVEL26.5W6L-48	IRON HAWK SWIVEL	26.5"	48	8	13'
IHSWIVEL30.5W6L-06	IRON HAWK SWIVEL	30.5"	6	1	1'7.5"
IHSWIVEL30.5W6L-48	IRON HAWK SWIVEL	30.5"	48	8	13'
IHSWIVEL36.2W6L-06	IRON HAWK SWIVEL	36.2"	6	1	1'7.5"
IHSWIVEL36.2W6L-48	IRON HAWK SWIVEL	36.2"	48	8	13'



ITY IN THE TOUGHEST ENVIRONMENTS

Swivel (Wing Spacing Every 4th)

Part Number	Description	Flight Wingspan	Pitches/ Strand	Flight Sections/ Strand	Length of Strand
IHSWIVEL22.5W4L-04	IRON HAWK SWIVEL	22.5"	4	1	1' 1"
IHSWIVEL22.5W4L-48	IRON HAWK SWIVEL	22.5"	48	12	13'
IHSWIVEL22.5W4L-52	IRON HAWK SWIVEL	22.5"	52	13	14' 1"
IHSWIVEL22.5W4L-56	IRON HAWK SWIVEL	22.5"	56	14	15' 2"
IHSWIVEL22.5W4L-60	IRON HAWK SWIVEL	22.5"	60	15	16' 3"
IHSWIVEL22.5W4L-76	IRON HAWK SWIVEL	22.5"	76	19	20' 7"
IHSWIVEL26.5W4L-04	IRON HAWK SWIVEL	26.5"	4	1	1' 1"
IHSWIVEL26.5W4L-48	IRON HAWK SWIVEL	26.5"	48	12	13'
IHSWIVEL26.5W4L-52	IRON HAWK SWIVEL	26.5"	52	13	14' 1"
IHSWIVEL26.5W4L-56	IRON HAWK SWIVEL	26.5"	56	14	15' 2"
IHSWIVEL26.5W4L-60	IRON HAWK SWIVEL	26.5"	60	15	16' 3"
IHSWIVEL26.5W4L-76	IRON HAWK SWIVEL	26.5"	76	19	20' 7"
IHSWIVEL28.0W4L-04	IRON HAWK SWIVEL	28.0"	4	1	1' 1"
IHSWIVEL28.0W4L-48	IRON HAWK SWIVEL	28.0"	48	12	13'
IHSWIVEL28.0W4L-52	IRON HAWK SWIVEL	28.0"	52	13	14' 1"
IHSWIVEL28.0W4L-56	IRON HAWK SWIVEL	28.0"	56	14	15' 2"
IHSWIVEL28.0W4L-60	IRON HAWK SWIVEL	28.0"	60	15	16' 3"
IHSWIVEL28.0W4L-76	IRON HAWK SWIVEL	28.0"	76	19	20' 7"
IHSWIVEL30.5W4L-04	IRON HAWK SWIVEL	30.5"	4	1	1' 1"
IHSWIVEL30.5W4L-48	IRON HAWK SWIVEL	30.5"	48	12	13'
IHSWIVEL30.5W4L-52	IRON HAWK SWIVEL	30.5"	52	13	14' 1"
IHSWIVEL30.5W4L-56	IRON HAWK SWIVEL	30.5"	56	14	15' 2"
IHSWIVEL30.5W4L-60	IRON HAWK SWIVEL	30.5"	60	15	16' 3"
IHSWIVEL30.5W4L-76	IRON HAWK SWIVEL	30.5"	76	19	20' 7"
IHSWIVEL36.2W4L-04	IRON HAWK SWIVEL	36.2"	4	1	1' 1"
IHSWIVEL36.2W4L-48	IRON HAWK SWIVEL	36.2"	48	12	13'
IHSWIVEL36.2W4L-52	IRON HAWK SWIVEL	36.2"	52	13	14' 1"
IHSWIVEL36.2W4L-56	IRON HAWK SWIVEL	36.2"	56	14	15' 2"
IHSWIVEL36.2W4L-60	IRON HAWK SWIVEL	36.2"	60	15	16' 3"
IHSWIVEL36.2W4L-76	IRON HAWK SWIVEL	36.2"	76	19	20' 7"



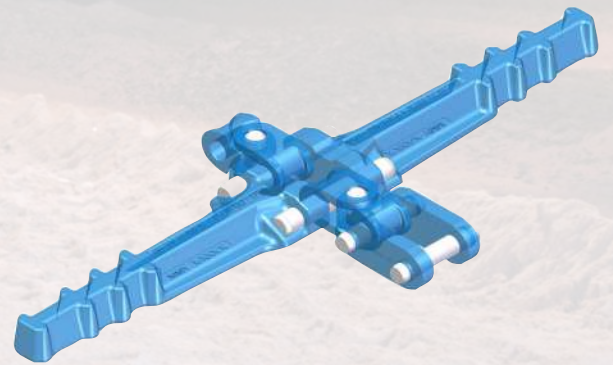
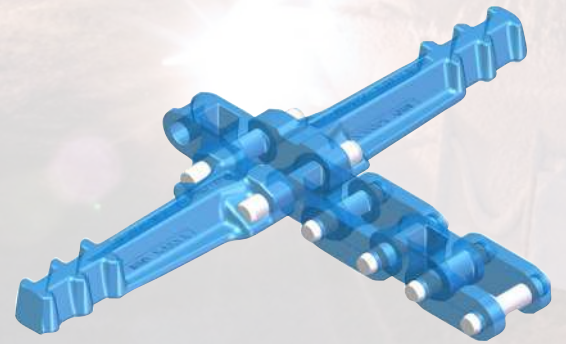
Swivel Spare Parts

Part Number	Description	Flight	Contents
IHSWIVEL22.5-WING	IRON HAWK SWIVEL WELDMENT	22.5"	3 pitch wing weldment sec. - swivel, wing, swivel
IHSWIVEL26.5-WING	IRON HAWK SWIVEL WELDMENT	26.5"	3 pitch wing weldment sec. - swivel, wing, swivel
IHSWIVEL28.0-WING	IRON HAWK SWIVEL WELDMENT	28.0"	3 pitch wing weldment sec. - swivel, wing, swivel
IHSWIVEL30.5-WING	IRON HAWK SWIVEL WELDMENT	30.5"	3 pitch wing weldment sec. - swivel, wing, swivel
IHSWIVEL36.2-WING	IRON HAWK SWIVEL WELDMENT	36.2"	3 pitch wing weldment sec. - swivel, wing, swivel
IH-CONN	IRON HAWK STRAIGHT OR SWIVEL	FITS ALL	Complete connecting link - 2 plates, 2 pins, 2 snap rings
IH-RING	IRON HAWK STRAIGHT OR SWIVEL	FITS ALL	Snap ring clips
IH-BLOCK	IRON HAWK STRAIGHT OR SWIVEL	FITS ALL	American forged block links

IRON HAWK™ SERIES CHAINS

Tsubaki Iron Hawk Series Chain - Engineered, Forged and Made in the U.S.A. to be as resilient and tough as the miner it was developed to serve.

Tsubaki's premium American forged Iron Hawk Series chains are specifically designed for use within the aggressive and demanding underground mining segment. Leveraging Tsubaki's extensive heritage within the mining industry and a proprietary blend of premium domestic steels and refined heat treatments, the Iron Hawk Series was designed to provide superior strength, maximum toughness and legendary dependability.



SOME OF TSUBAKI'S OTHER PROBLEM SOLVING PRODUCTS



Sealed Joint
Chain Options



Backstops &
Overrunning Clutches



Steel Carriers



Continuous-Flex
Cables



SMART TOOTH™
Sprockets



Lube-Free Lambda® Chain



Corporate Headquarters
U.S. Tsubaki Power Transmission, LLC
301 E. Marquardt Drive
Wheeling, IL 60090
Tel: (800) 323-7790
www.ustsubaki.com



Roller Chain Division
821 Main Street
Holyoke, MA 01040
Tel: (800) 323-7790



Conveyor and Construction
Chain Division
1010 Edgewater Drive
Sandusky, OH 44870
Tel: (800) 537-6140



Sprocket Manufacturing
Mississauga, Ontario
Tel: (800) 323-7790



KabelSchlepp Division
7100 W. Marcia Rd
Milwaukee, WI 53223
Tel: (800) 443-4216