

Hypoid Motor TA Series Outline Dimensions

Adapter type

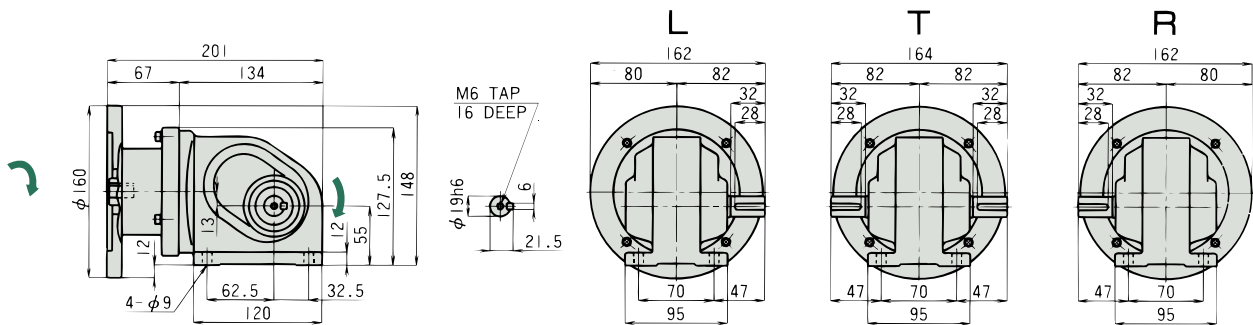
HYPOID MOTOR TA Outline Dimensions

1 0.1kW HRTA010-19L5~50 $\frac{L}{R}$ FI

Reduction ratio : 5, 10, 15, 20, 25, 30, 40, 50

Approx. weight : 6.0kg

Reference page : Specification Chart→P201



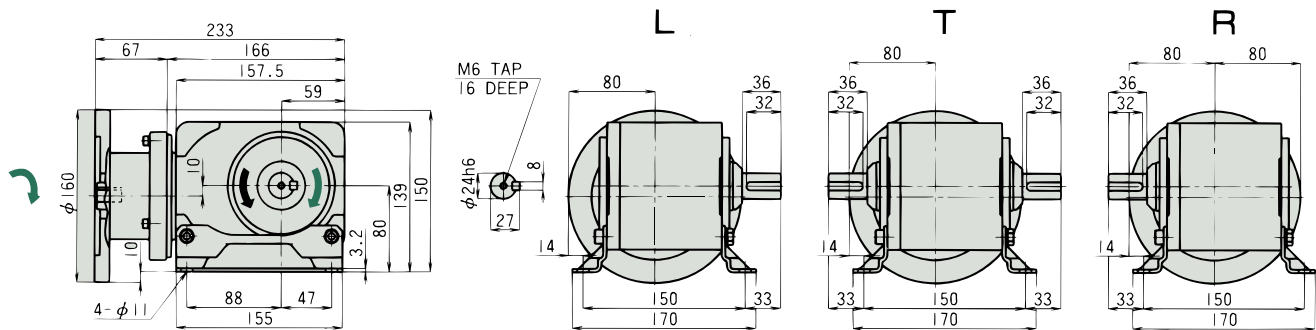
2 0.1kW HRTA010-24L60~200 $\frac{L}{R}$ FI

1/60 \curvearrowright 、1/80~1/200 \curvearrowright

Reduction ratio : 60, 80, 100, 120, 160, 200

Approx. weight : 11.5kg

Reference page : Specification Chart→P201



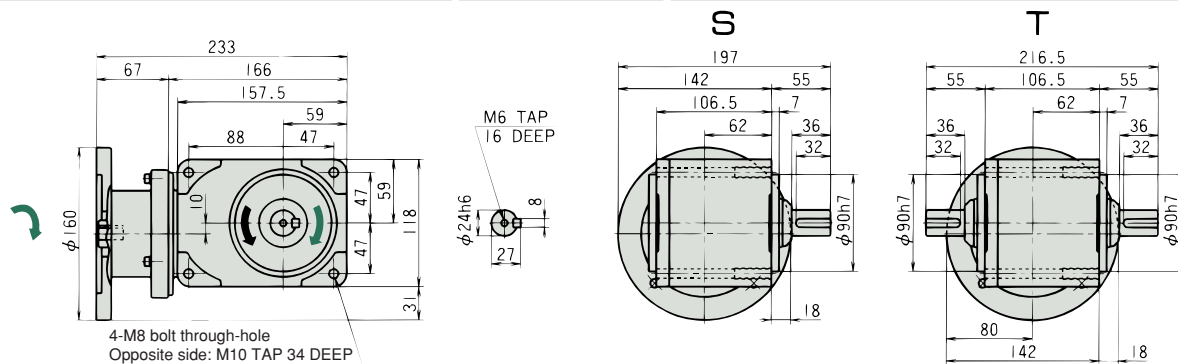
3 0.1kW HRTA010-24U5~200 $\frac{S}{T}$ FI

1/5~1/60 \curvearrowright 、1/80~1/200 \curvearrowright

Reduction ratio : 5, 10, 15, 20, 25, 30, 40, 50, 60, 80, 100, 120, 160, 200

Approx. weight : 10.5kg

Reference page : Specification Chart→P201



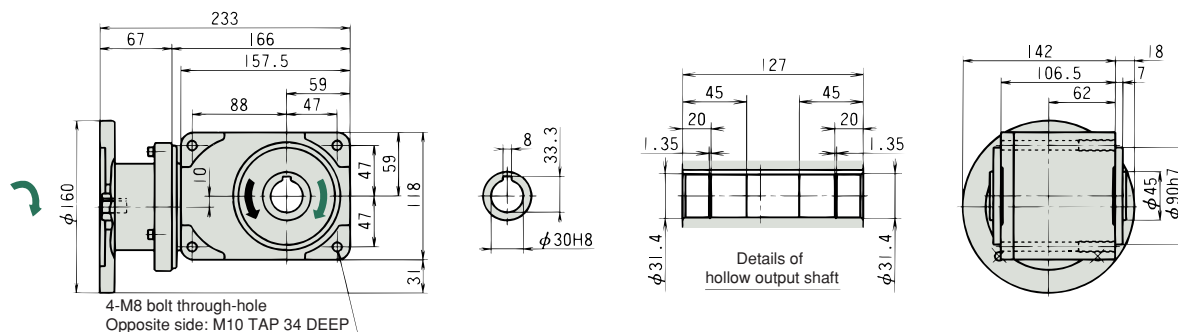
4 0.1kW HRTA010-30H5~200 FI

1/5~1/60 \curvearrowright 、1/80~1/200 \curvearrowright

Reduction ratio : 5, 10, 15, 20, 25, 30, 40, 50, 60, 80, 100, 120, 160, 200

Approx. weight : 9.5kg

Reference page : Specification Chart→P201 Options→P184



Note) For "T" output shaft arrangements, the phases of the key ways of the output shafts are not necessarily aligned precisely.

Hypoid Motor TA Series Outline Dimensions

Adapter type

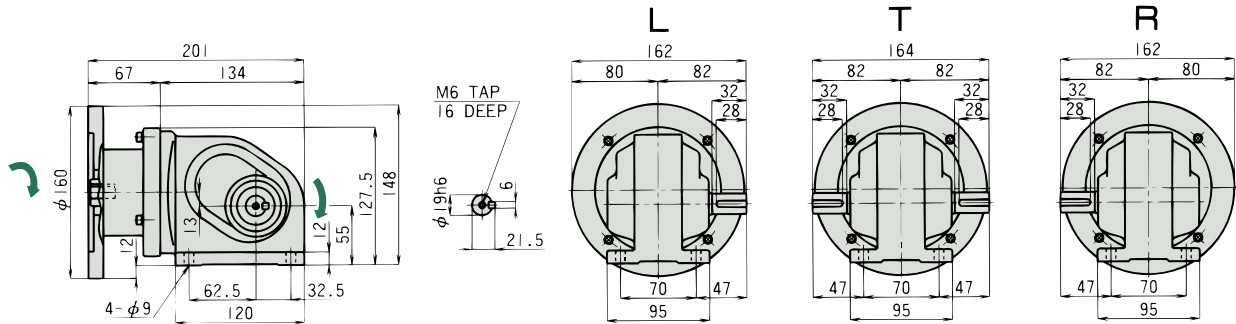
HYPOID MOTOR TA Outline Dimensions

5 0.2kW HRTA020-19L5~50 $\frac{L}{R}$ FI

Reduction ratio : 5, 10, 15, 20, 25, 30, 40, 50

Approx. weight : 6.0kg

Reference page : Specification Chart→P201



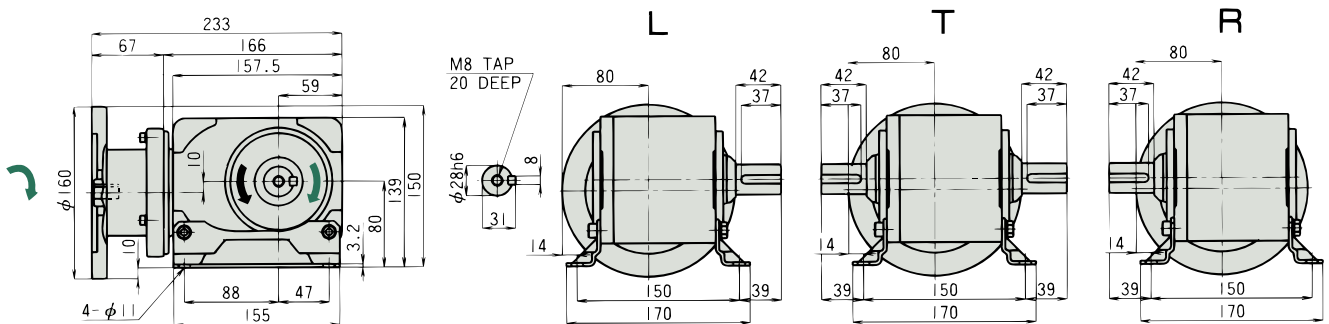
6 0.2kW HRTA020-28L60~200 $\frac{L}{R}$ FI

1/60 \curvearrowright 、1/80~1/200 \curvearrowright

Reduction ratio : 60, 80, 100, 120, 160, 200

Approx. weight : 11.5kg

Reference page : Specification Chart→P201



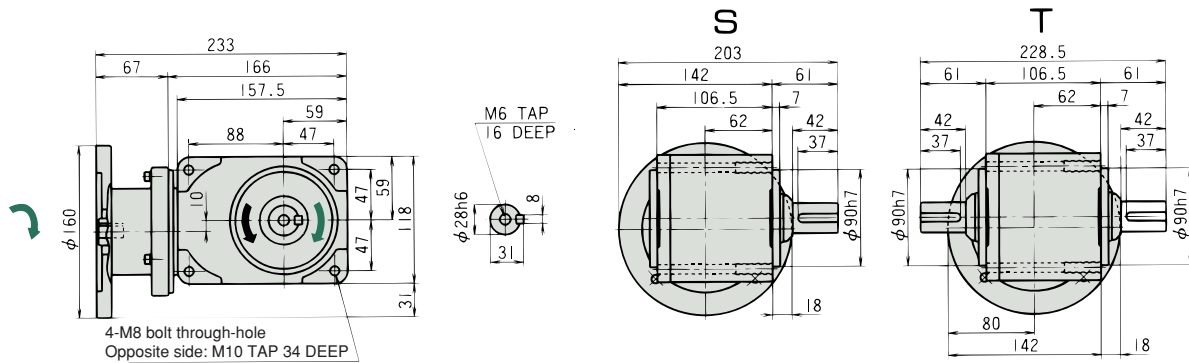
7 0.2kW HRTA020-28U5~200 $\frac{S}{T}$ FI

1/5~1/60 \curvearrowright 、1/80~1/200 \curvearrowright

Reduction ratio : 5, 10, 15, 20, 25, 30, 40, 50, 60, 80, 100, 120, 160, 200

Approx. weight : 10.5kg

Reference page : Specification Chart→P201



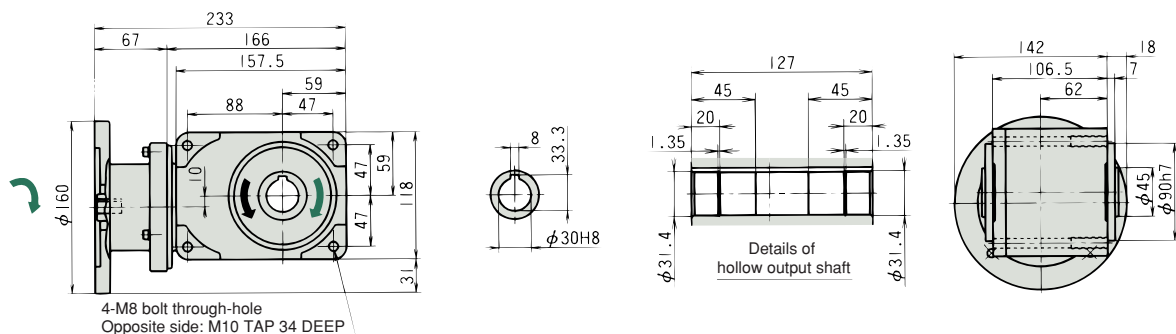
8 0.2kW HRTA020-30H5~200FI

1/5~1/60 \curvearrowright 、1/80~1/200 \curvearrowright

Reduction ratio : 5, 10, 15, 20, 25, 30, 40, 50, 60, 80, 100, 120, 160, 200

Approx. weight : 9.5kg

Reference page : Specification Chart→P201 Options→P184



Note) For "T" output shaft arrangements, the phases of the key ways of the output shafts are not necessarily aligned precisely.

Hypoid Motor TA Series Outline Dimensions

Adapter type

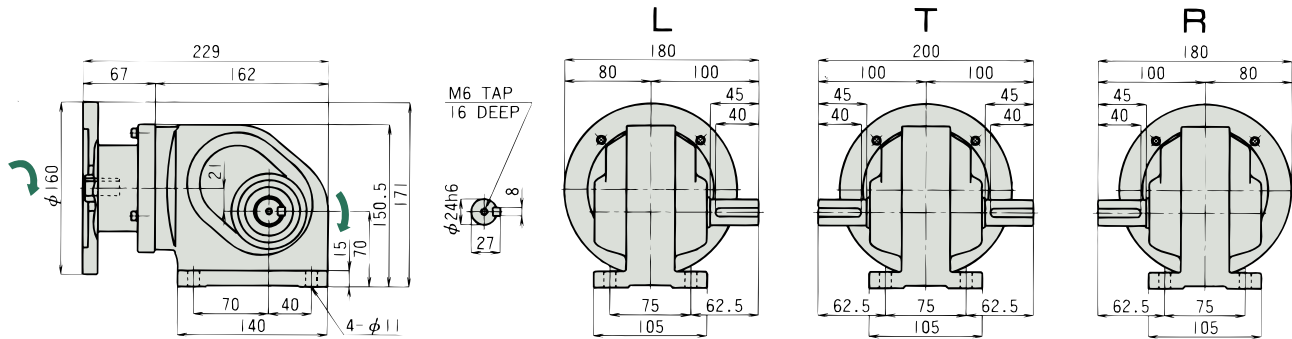
HYPOID MOTOR TA Outline Dimensions

9 0.4kW HRTA040-24L5~50^L_RFI

Reduction ratio : 5, 10, 15, 20, 25, 30, 40, 50

Approx. weight : 7.5kg

Reference page : Specification Chart→P201

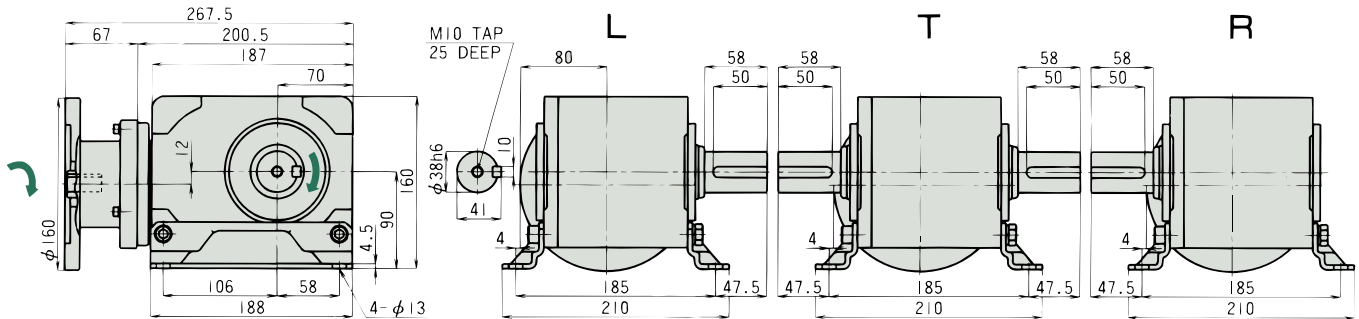


10 0.4kW HRTA040-38L60~200^L_RFI

Reduction ratio : 60, 80, 100, 120, 160, 200

Approx. weight : 16.0kg

Reference page : Specification Chart→P201



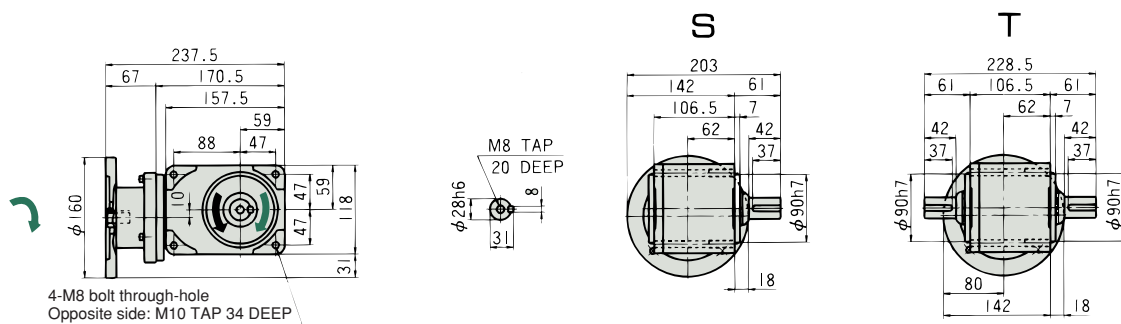
11 0.4kW HRTA040-28U5~50^S_TFI

1/5~1/30 ↺, 1/40~1/50 ↻

Reduction ratio : 5, 10, 15, 20, 25, 30, 40, 50

Approx. weight : 10.5kg

Reference page : Specification Chart→P201

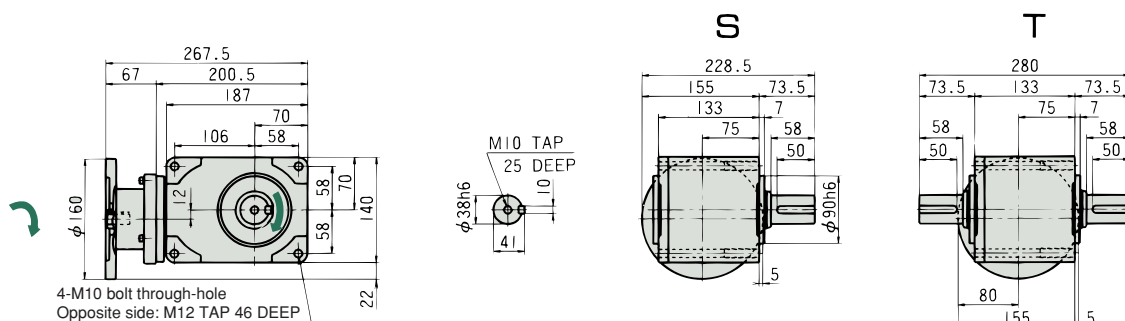


12 0.4kW HRTA040-38U60~200^S_TFI

Reduction ratio : 60, 80, 100, 120, 160, 200

Approx. weight : 15.5kg

Reference page : Specification Chart→P201



Hypoid Motor TA Series Outline Dimensions

Adapter type

HYPOID MOTOR TA Outline Dimensions

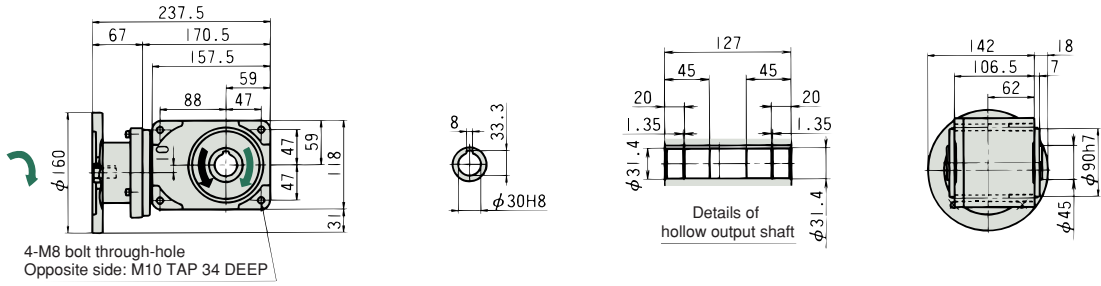
13 0.4kW HRTA040-30H5~50FI

1/5~1/30 ↺、1/40~1/50 ↻

Reduction ratio : 5, 10, 15, 20, 25, 30, 40, 50

Approx. weight : 9.5kg

Reference page : Specification Chart→P201 Options→P184

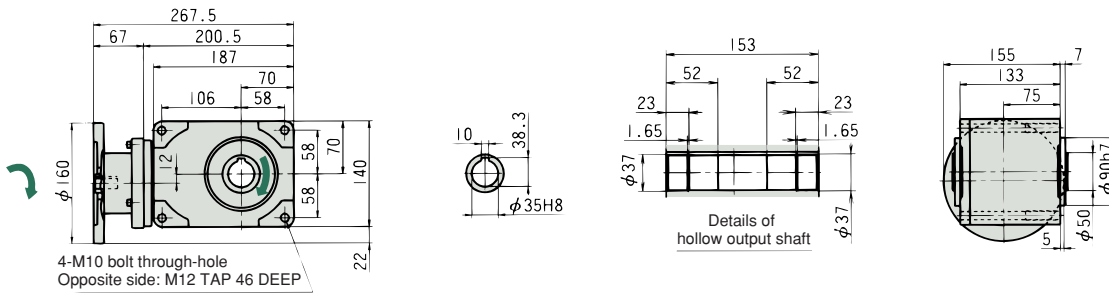


14 0.4kW HRTA040-35H60~200FI

Reduction ratio : 60, 80, 100, 120, 160, 200

Approx. weight : 13.5kg

Reference page : Specification Chart→P201 Options→P184



Hypoid Motor TA Series Outline Dimensions

Adapter type

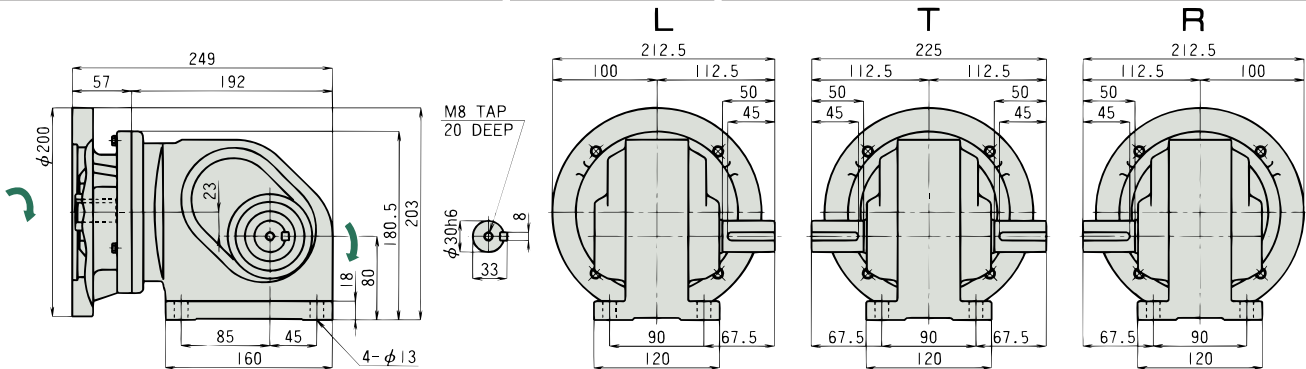
HYPOID MOTOR TA Outline Dimensions

15 0.75kW HRTA075-30L5~50 $\frac{L}{R}$ FI

Reduction ratio : 5, 10, 15, 20, 25, 30, 40, 50

Approx. weight : 13.5kg

Reference page : Specification Chart→P202

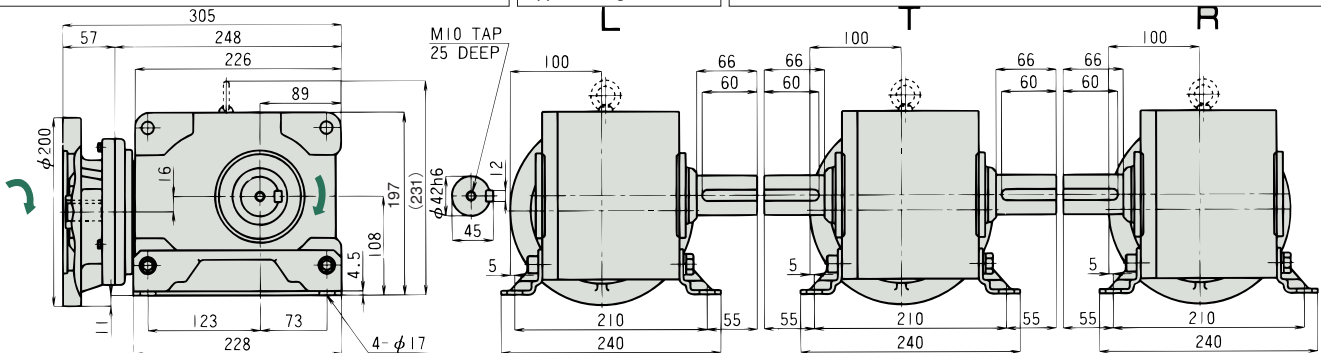


16 0.75kW HRTA075-42L60~200 $\frac{L}{R}$ FI

Reduction ratio : 60, 80, 100, 120, 160, 180, 200

Approx. weight : 28.5kg

Reference page : Specification Chart→P202



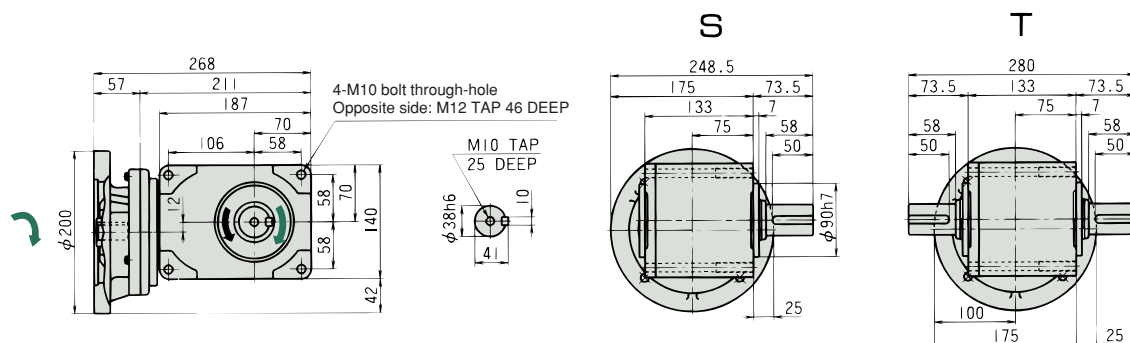
17 0.75kW HRTA075-38U5~50 $\frac{S}{T}$ FI

$\frac{1}{5}$ ~ $\frac{1}{30}$ \curvearrowright 、 $\frac{1}{40}$ ~ $\frac{1}{50}$ \curvearrowright

Reduction ratio : 5, 10, 15, 20, 25, 30, 40, 50

Approx. weight : 18.5kg

Reference page : Specification Chart→P202

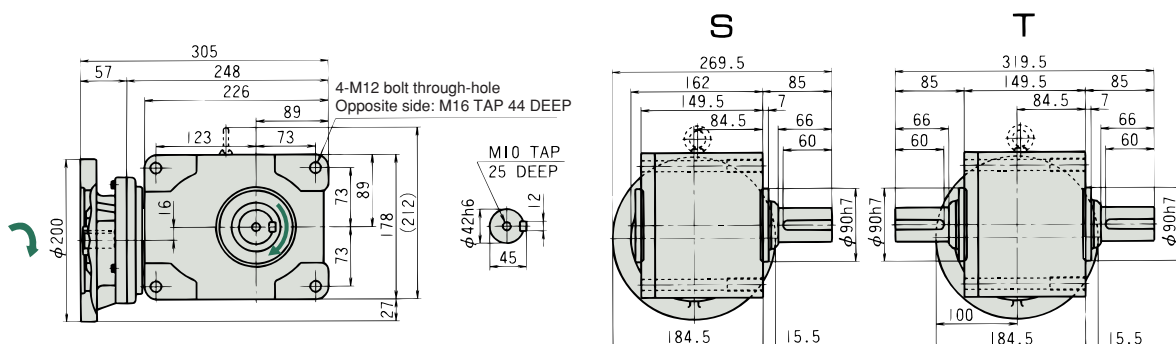


18 0.75kW HRTA075-42U60~200 $\frac{S}{T}$ FI

Reduction ratio : 60, 80, 100, 120, 160, 200

Approx. weight : 27.0kg

Reference page : Specification Chart→P202



Note) For "T" output shaft arrangements, the phases of the key ways of the output shafts are not necessarily aligned precisely.

Hypoid Motor TA Series Outline Dimensions

Adapter type

HYPOID MOTOR TA Outline Dimensions

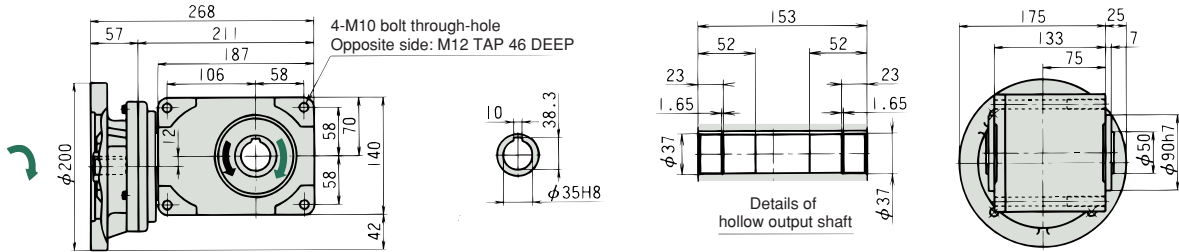
19 0.75kW HRTA075-35H5~50FI

1/5~1/30 ↺、140~1/50 ↻

Reduction ratio : 5, 10, 15, 20, 25, 30, 40, 50

Approx. weight : 16.5kg

Reference page : Specification Chart→P202 Options→P184

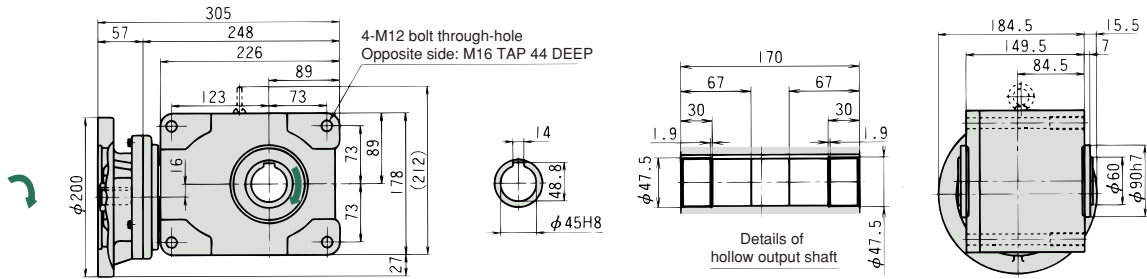


20 0.75kW HRTA075-45H60~200FI

Reduction ratio : 60, 80, 100, 120, 160, 200

Approx. weight : 23.0kg

Reference page : Specification Chart→P202 Options→P184



Hypoid Motor TA Series Outline Dimensions

Adapter type

HYPOID MOTOR TA Outline Dimensions

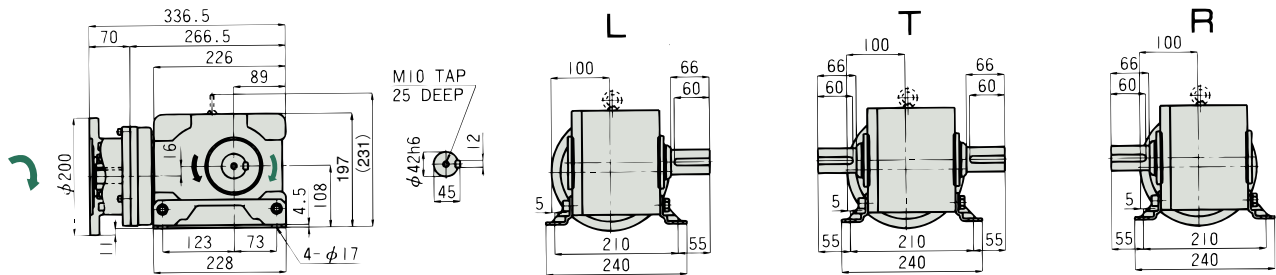
21 1.5kW HRTA150-42L5~50 $\frac{L}{R}$ FI

1/5~1/30 \curvearrowright 、1/40~1/50 \curvearrowright

Reduction ratio : 5, 10, 15, 20, 25, 30, 40, 50

Approx. weight : 30.0kg

Reference page : Specification Chart→P202



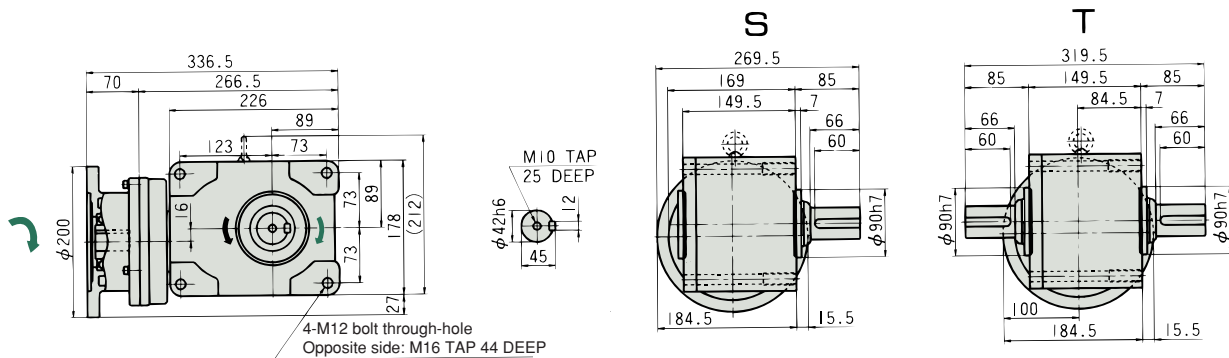
22 1.5kW HRTA150-42U5~50 $\frac{S}{T}$ FI

1/5~1/30 \curvearrowright 、1/40~1/50 \curvearrowright

Reduction ratio : 5, 10, 15, 20, 25, 30, 40, 50

Approx. weight : 28.5kg

Reference page : Specification Chart→P202



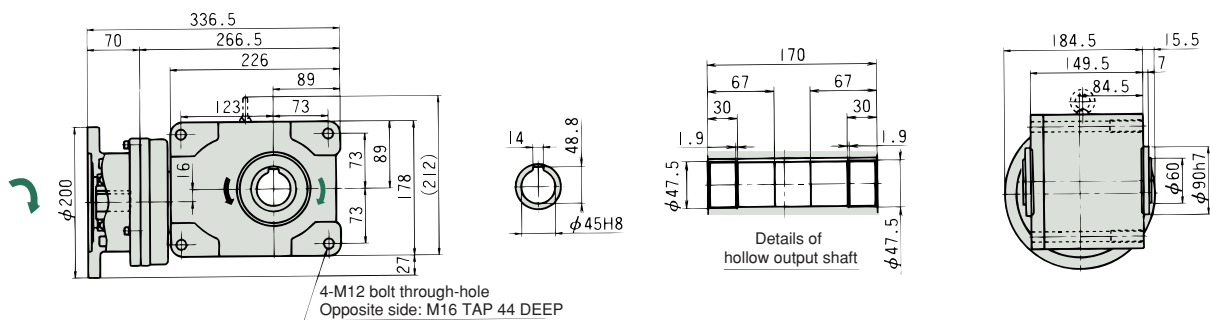
23 1.5kW HRTA150-45H5~50FI

1/5~1/30 \curvearrowright 、1/40~1/50 \curvearrowright

Reduction ratio : 5, 10, 15, 20, 25, 30, 40, 50

Approx. weight : 24.5kg

Reference page : Specification Chart→P202 Options→P184



Note) The phases of the key ways of the output and input shafts are not necessarily aligned precisely. For "T" output shaft arrangements, the phases of the key ways of the output shafts are not necessarily aligned precisely.

Outline Dimensions

L.U.H

21
22
23

1.5