

# Hypoid Motor TA Series Outline Dimensions

Hollow shaft type 0.1 kW · Brake type

HYPOID MOTOR TA Outline Dimensions ● brake type/Hollow

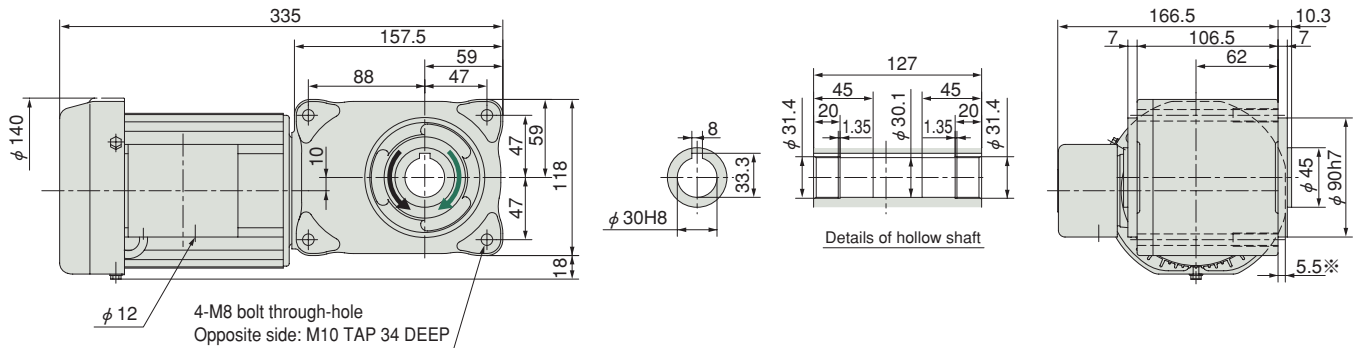
## B-1 0.1kW HMTA010-30H5~200B

The direction of rotation of the output shaft is based on direction of rotation A shown on page 189. 1/5~1/60 ↺, 1/80~1/200 ↻

Reduction ratio : 5, 10, 15, 20, 25, 30, 40, 50, 60, 80, 100, 120, 160, 200

Approx. weight : 10.6kg

Reference page : Specification Chart→P131 Options→P184



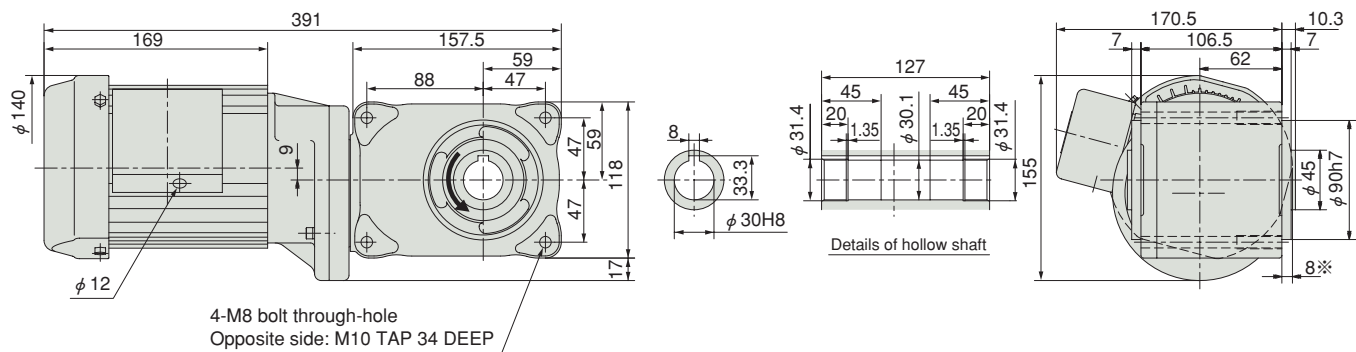
## B-2 0.1kW HMTA010-30H300~480B

The direction of rotation of the output shaft is based on direction of rotation A shown on page 189.

Reduction ratio : 300, 360, 480

Approx. weight : 12.7kg

Reference page : Specification Chart→P131 Options→P184



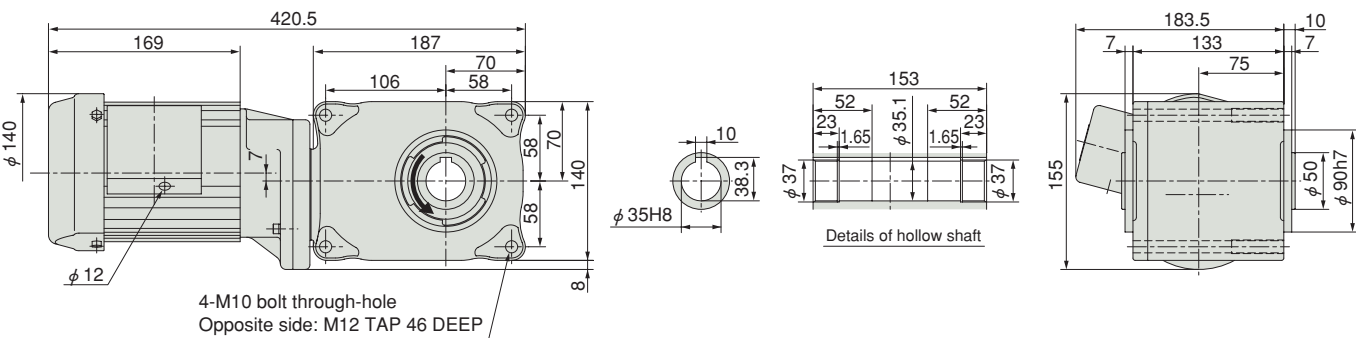
## B-3 0.1kW HMTA010-35H600~1200B

The direction of rotation of the output shaft is based on direction of rotation A shown on page 189.

Reduction ratio : 600, 720, 960, 1200

Approx. weight : 15.6kg

Reference page : Specification Chart→P131 Options→P184



Note) The dimension marked with \* indicates that that part of the motor protrudes from the mounting surface.

Outline Dimensions

H  
B-1  
B-2  
B-3

0.1

# Hypoid Motor TA Series Outline Dimensions

Hollow shaft type 0.2 kW · Brake type

HYPOID MOTOR TA Outline Dimensions ● brake type/Hollow

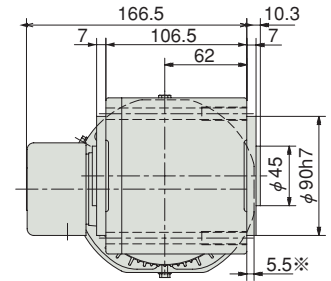
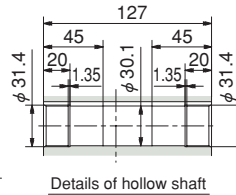
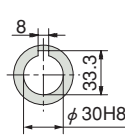
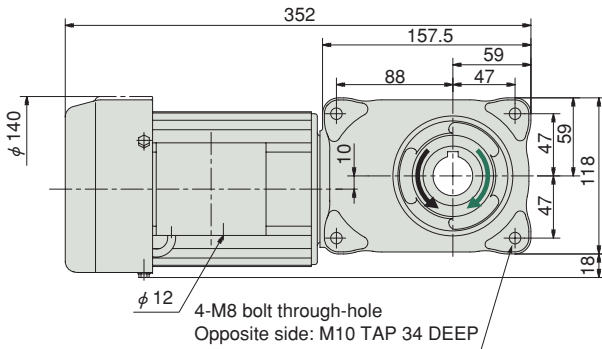
## B-4 0.2kW HMTA020-30H5~200B

The direction of rotation of the output shaft is based on direction of rotation A shown on page 189. 1/5~1/60 ↺、1/80~1/200 ↻

Reduction ratio : 5, 10, 15, 20, 25, 30, 40, 50, 60, 80, 100, 120, 160, 200

Approx. weight : 10.9kg

Reference page : Specification Chart→P131 Options→P184



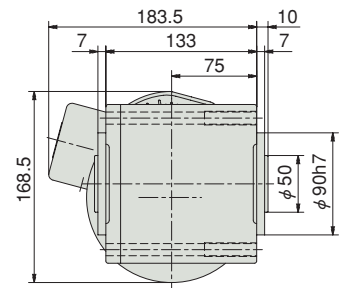
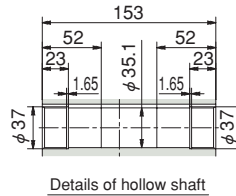
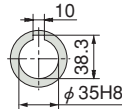
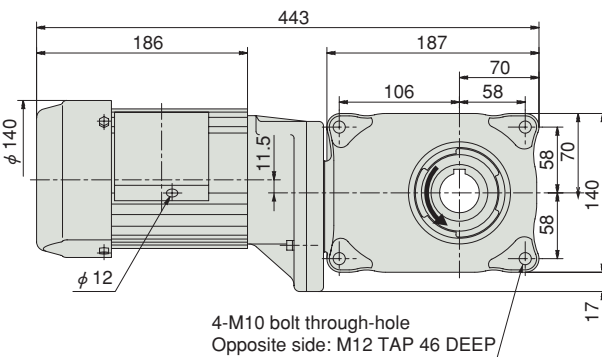
## B-5 0.2kW HMTA020-35H300~480B

The direction of rotation of the output shaft is based on direction of rotation A shown on page 189.

Reduction ratio : 300, 360, 480

Approx. weight : 16.1kg

Reference page : Specification Chart→P131 Options→P184



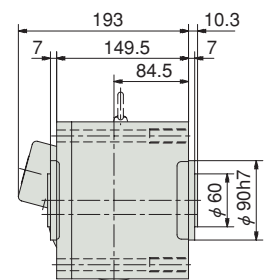
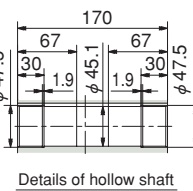
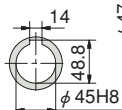
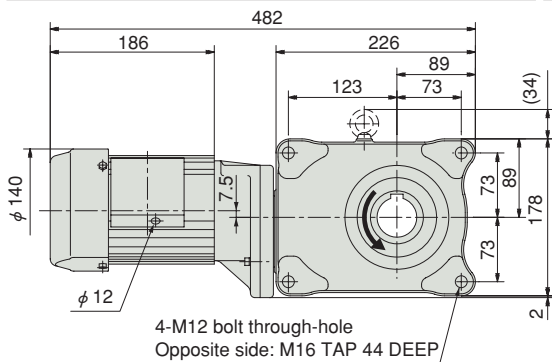
## B-6 0.2kW HMTA020-45H600~1200B

The direction of rotation of the output shaft is based on direction of rotation A shown on page 189.

Reduction ratio : 600, 720, 960, 1200

Approx. weight : 23.4kg

Reference page : Specification Chart→P131 Options→P184



Note) The dimension marked with \* indicates that part of the motor protrudes from the mounting surface.

# Hypoid Motor TA Series Outline Dimensions

Hollow shaft type 0.4 kW · Brake type

HYPOID MOTOR TA Outline Dimensions ● brake type/Hollow

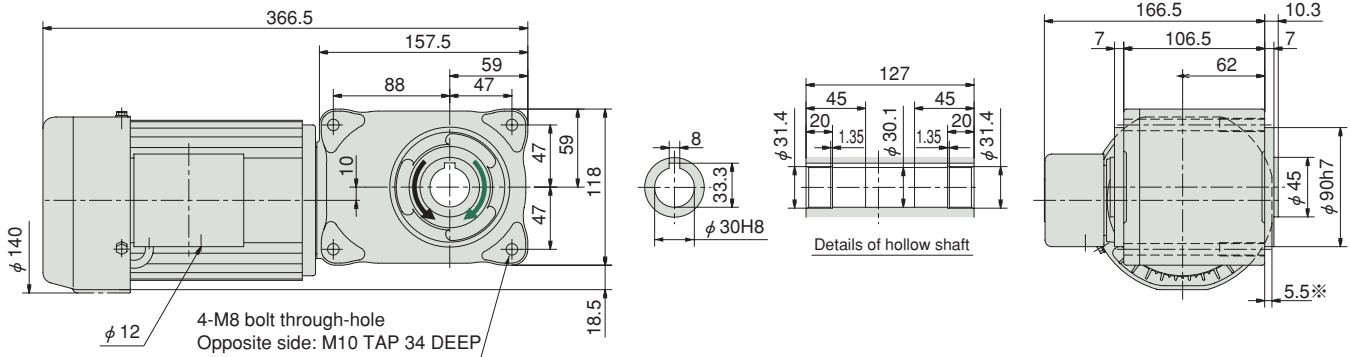
## B-7 0.4kW HMTA040-30H5~50B

The direction of rotation of the output shaft is based on direction of rotation A shown on page 189. 1/5~1/30 ↺, 1/40~1/50 ↻

Reduction ratio : 5, 10, 15, 20, 25, 30, 40, 50

Approx. weight : 11.7kg

Reference page : Specification Chart→P132 Options→P184



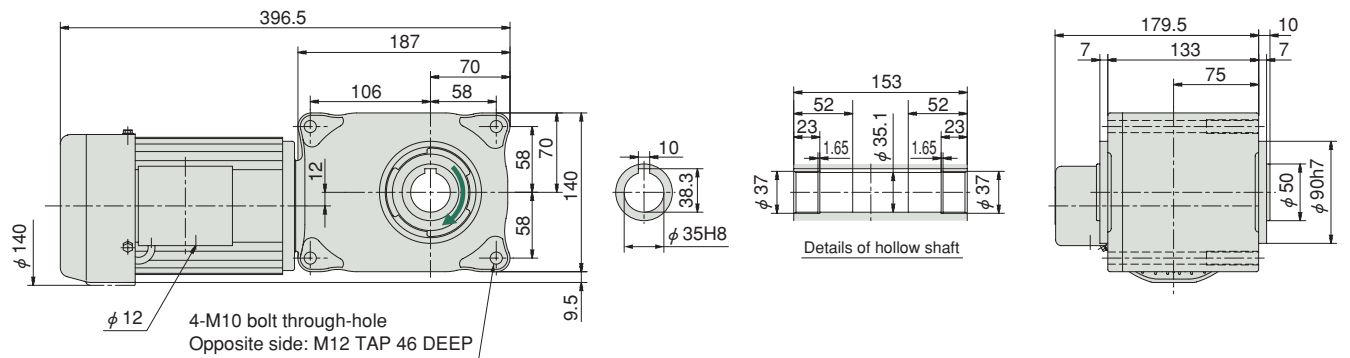
## B-8 0.4kW HMTA040-35H60~200B

The direction of rotation of the output shaft is based on direction of rotation A shown on page 189.

Reduction ratio : 60, 80, 100, 120, 160, 200

Approx. weight : 16.5kg

Reference page : Specification Chart→P132 Options→P184



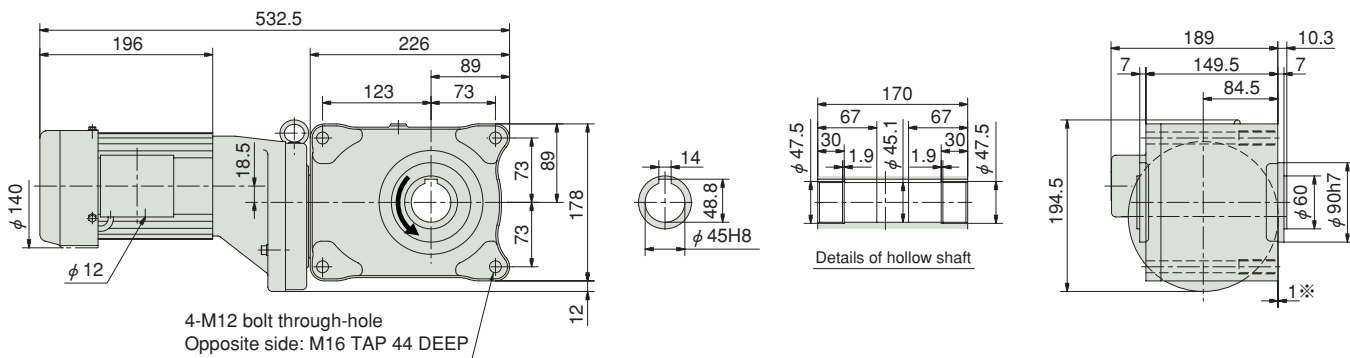
## B-9 0.4kW HMTA040-45H300~480B

The direction of rotation of the output shaft is based on direction of rotation A shown on page 189.

Reduction ratio : 300, 360, 480

Approx. weight : 28.5kg

Reference page : Specification Chart→P132 Options→P184



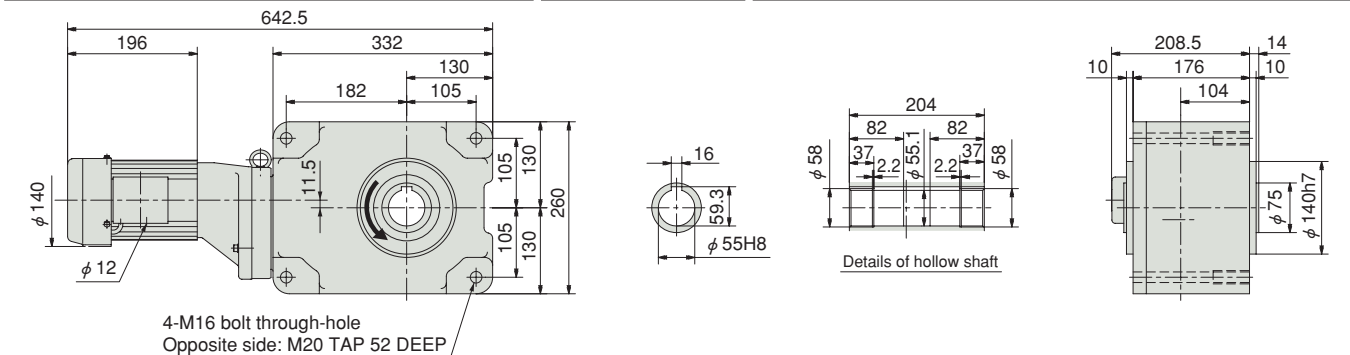
## B-10 0.4kW HMTA040-55H600~1200B

The direction of rotation of the output shaft is based on direction of rotation A shown on page 189.

Reduction ratio : 600, 720, 960, 1200

Approx. weight : 55.1kg

Reference page : Specification Chart→P132 Options→P184



Note) The dimension marked with ※ indicates that part of the motor protrudes from the mounting surface.

# Hypoid Motor TA Series Outline Dimensions

Hollow shaft type 0.75 kW · Brake type

HYPOID MOTOR TA Outline Dimensions ● brake type/Hollow

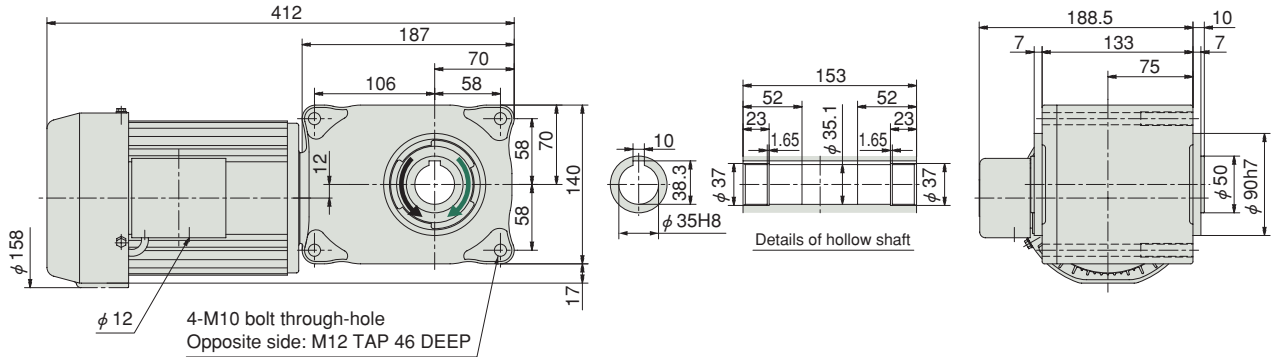
## B-11 0.75kW HMTA075-35H5~50B

The direction of rotation of the output shaft is based on direction of rotation A shown on page 189. 1/5~1/30 ↺, 1/40~1/50 ↻

Reduction ratio : 5, 10, 15, 20, 25, 30, 40, 50

Approx. weight : 21.0kg

Reference page : Specification Chart→P132 Options→P184



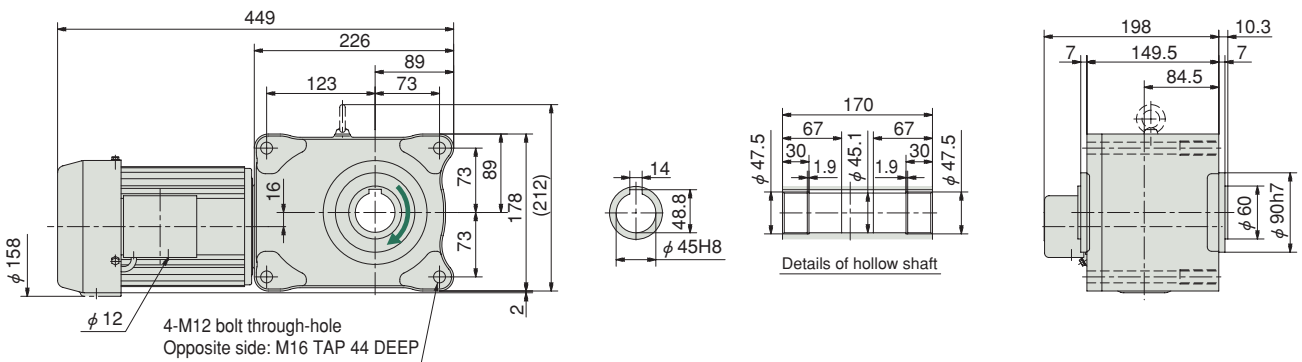
## B-12 0.75kW HMTA075-45H60~200B

The direction of rotation of the output shaft is based on direction of rotation A shown on page 189.

Reduction ratio : 60, 80, 100, 120, 160, 200

Approx. weight : 25.5kg

Reference page : Specification Chart→P132 Options→P184



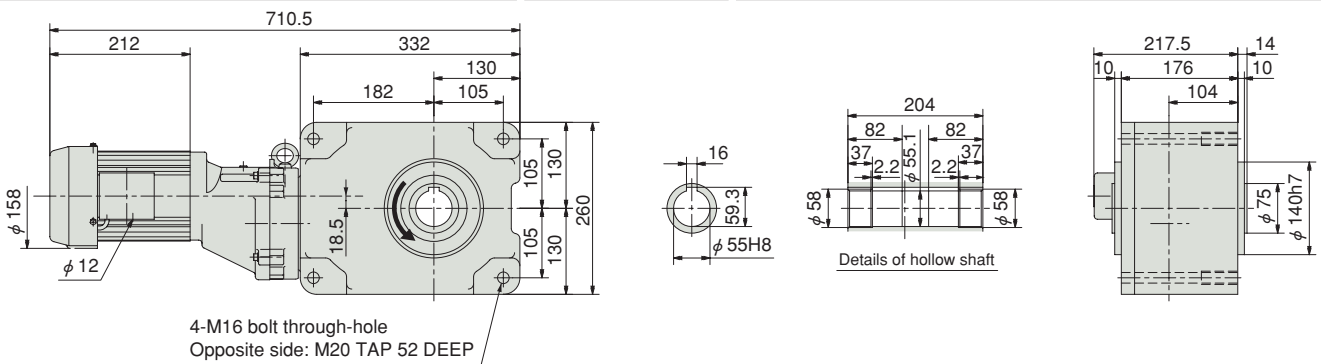
## B-13 0.75kW HMTA075-55H300~480B

The direction of rotation of the output shaft is based on direction of rotation A shown on page 189.

Reduction ratio : 300, 360, 480

Approx. weight : 63.5kg

Reference page : Specification Chart→P132 Options→P184



# Hypoid Motor TA Series Outline Dimensions

Hollow shaft type 1.5 · 2.2 kW · Brake type

HYPOID MOTOR TA Outline Dimensions ● brake type/Hollow

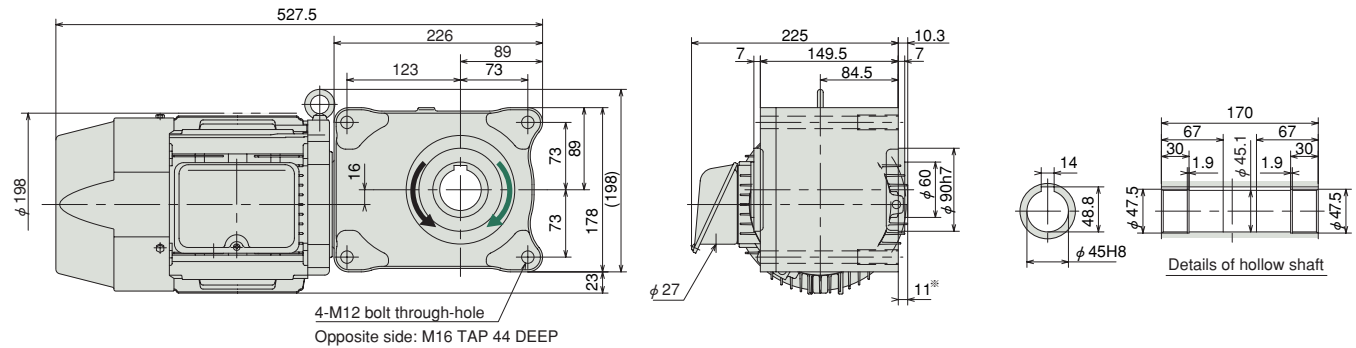
## B-14 1.5kW HMTA150-45H5~80B

The direction of rotation of the output shaft is based on direction of rotation A shown on page 189. 1/5~1/30 ↺, 1/40~1/80 ↻

Reduction ratio : 5, 10, 15, 20, 25, 30, 40, 50, 60, 80

Approx. weight : 34.0kg

Reference page : Specification Chart→P133 Options→P184



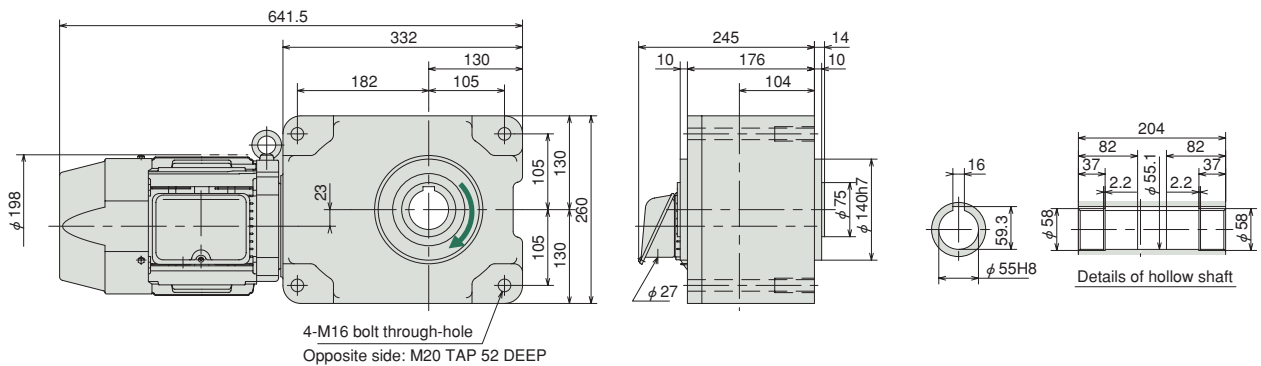
## B-15 1.5kW HMTA150-55H100~200B

The direction of rotation of the output shaft is based on direction of rotation A shown on page 189.

Reduction ratio : 100, 120, 160, 200

Approx. weight : 62.0kg

Reference page : Specification Chart→P133 Options→P184



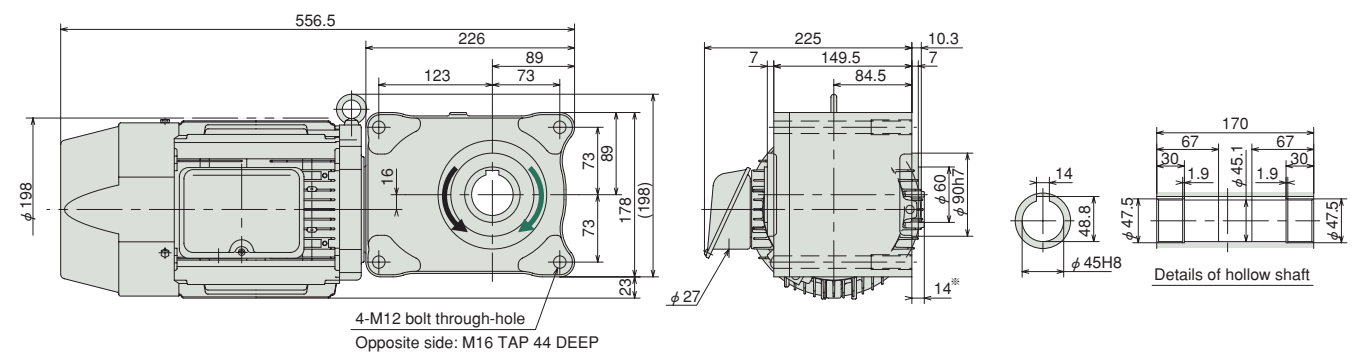
## B-16 2.2kW HMTA220-45H5~60B

The direction of rotation of the output shaft is based on direction of rotation A shown on page 189. 1/5~1/20 ↺, 1/25~1/60 ↻

Reduction ratio : 5, 10, 15, 20, 25, 30, 40, 50, 60

Approx. weight : 39.0kg

Reference page : Specification Chart→P133 Options→P184



Note) The dimension marked with \* indicates that part of the motor protrudes from the mounting surface.

Outline Dimensions

H  
B-14  
B-15  
B-16

1.5  
2.2

# Hypoid Motor TA Series Outline Dimensions

Hollow shaft type 2.2 · 3.7 · 5.5 kW · Brake type

HYPOID MOTOR TA Outline Dimensions ● brake type/Hollow

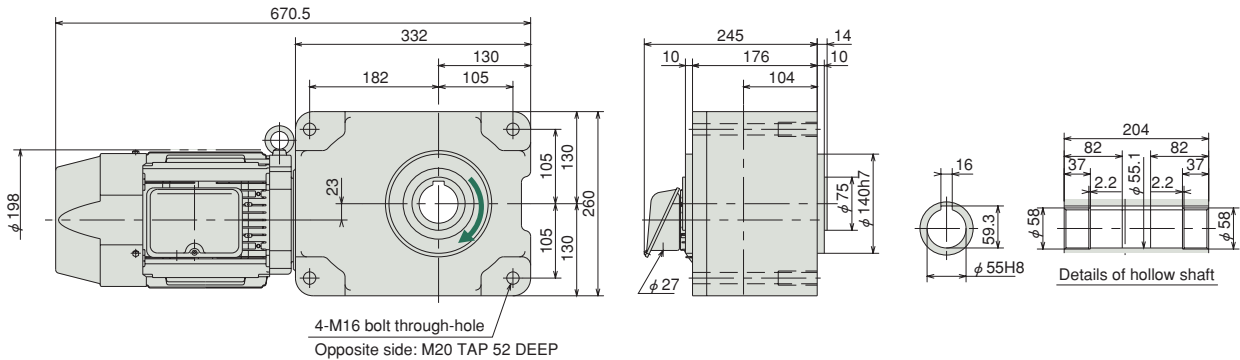
## B-17 2.2kW HMTA220-55H80~120B

The direction of rotation of the output shaft is based on direction of rotation A shown on page 189.

Reduction ratio : 80, 100, 120

Approx. weight : 66.0kg

Reference page : Specification Chart→P133 Options→P184



## B-18 3.7kW HMTA370-55H5~60B

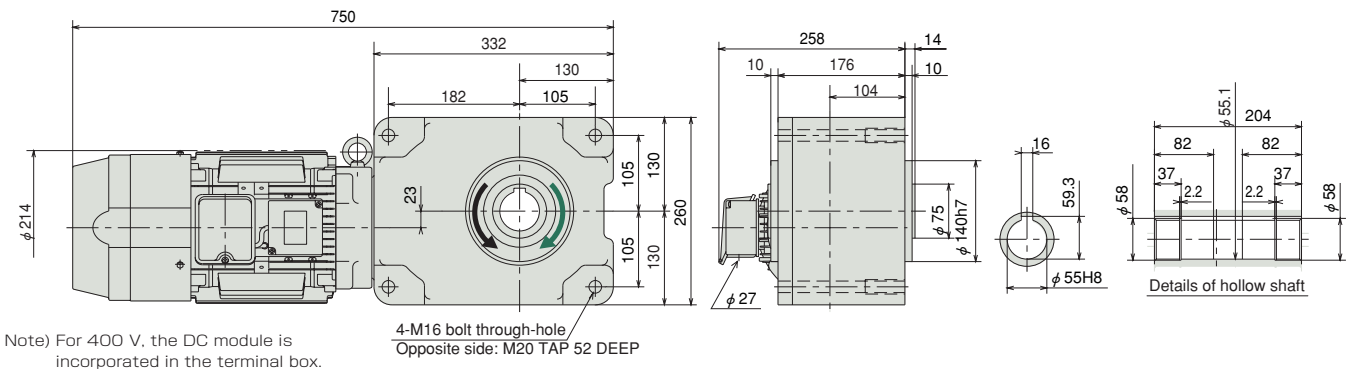
The direction of rotation of the output shaft is based on direction of rotation A shown on page 189.

1/5~1/20 ↺, 1/25~1/60 ↻

Reduction ratio : 5, 10, 15, 20, 25, 30, 40, 50, 60

Approx. weight : 78.0kg

Reference page : Specification Chart→P133 Options→P184



## B-19 5.5kW HMTA550-55H5~40B

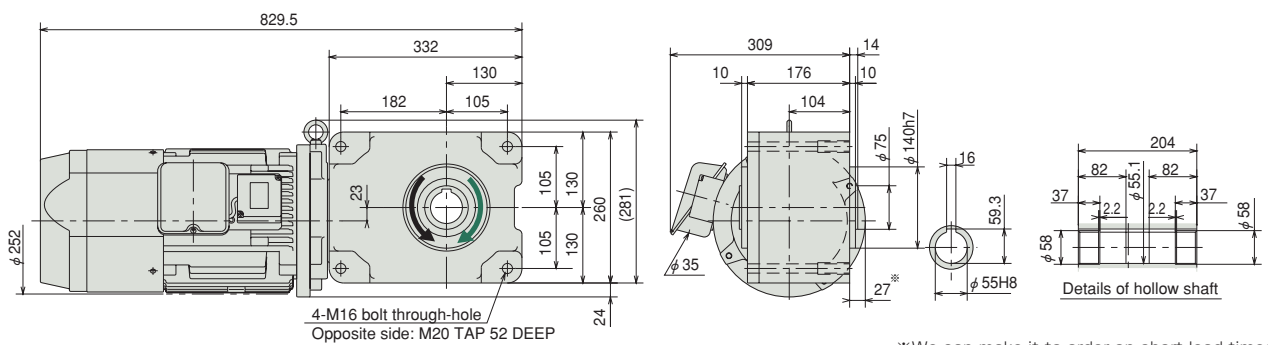
The direction of rotation of the output shaft is based on direction of rotation A shown on page 189.

1/5~1/20 ↺, 1/25~1/40 ↻

Reduction ratio : 5, 10, 15, 20, 25, 30, 40

Approx. weight : 103.0kg

Reference page : Specification Chart→P133 Options→P184



Note) The dimension marked with \* indicates that part of the motor protrudes from the mounting surface.

# Hypoid Motor TA Series Outline Dimensions

Hollow shaft type 100 W · Brake type

HYPOID MOTOR TA Outline Dimensions ● brake type/Hollow

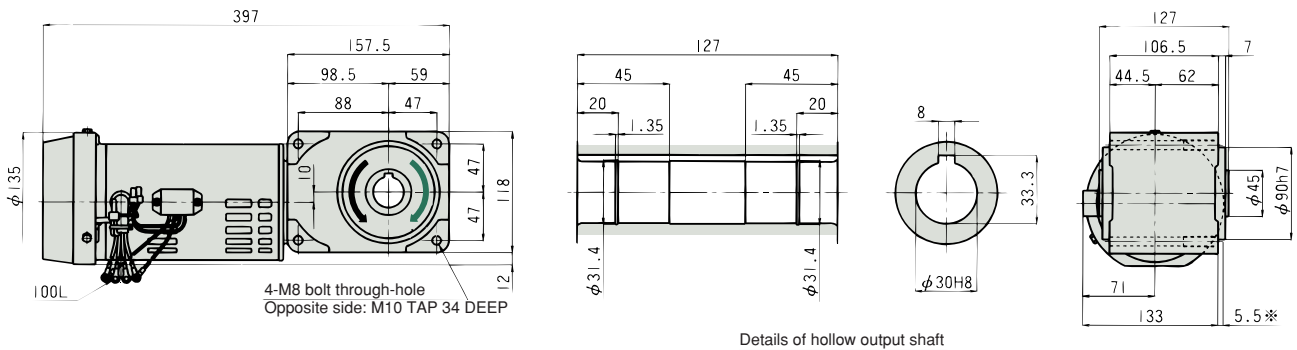
## B-20 100W HMTA100-30H5~200B

The direction of rotation of the output shaft is based on direction of rotation A shown on page 189. 1/5~1/60 ↺, 1/80~1/200 ↻

Reduction ratio : 5, 10, 15, 20, 25, 30, 40, 50, 60, 80, 100, 120, 160, 200

Approx. weight : 10.8kg

Reference page : Specification Chart→P134 Options→P184



Details of hollow output shaft

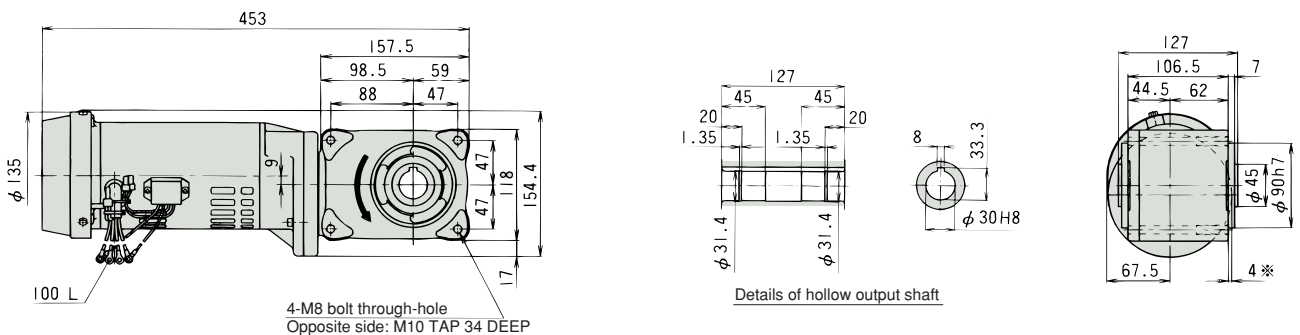
## B-21 100W HMTA100-30H300~480B

The direction of rotation of the output shaft is based on direction of rotation A shown on page 189.

Reduction ratio : 300, 360, 480

Approx. weight : 13.5kg

Reference page : Specification Chart→P134 Options→P184



Details of hollow output shaft

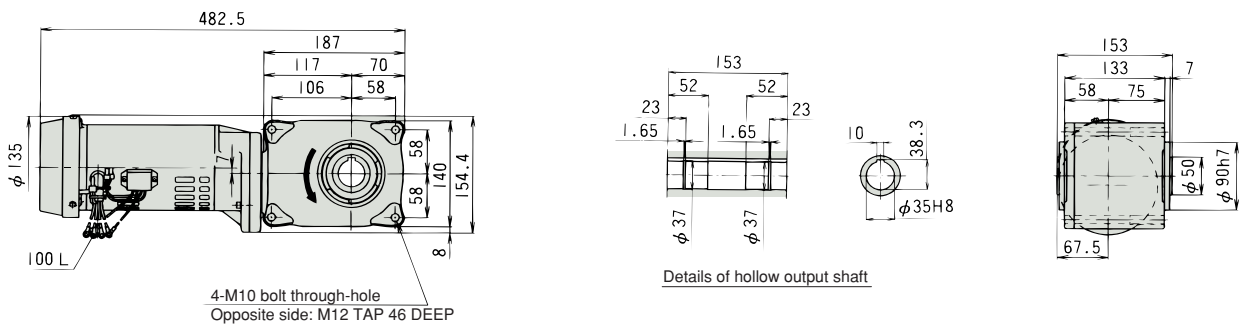
## B-22 100W HMTA100-35H600~1200B

The direction of rotation of the output shaft is based on direction of rotation A shown on page 189.

Reduction ratio : 600, 720, 960, 1200

Approx. weight : 16.4kg

Reference page : Specification Chart→P134 Options→P184



Details of hollow output shaft

Note) The dimension marked with ※ indicates that part of the motor protrudes from the mounting surface.

Outline Dimensions

H  
B-20  
B-21  
B-22

100



# Hypoid Motor TA Series Outline Dimensions

Hollow shaft type 200 W · Brake type

HYPOID MOTOR TA Outline Dimensions ● brake type/Hollow

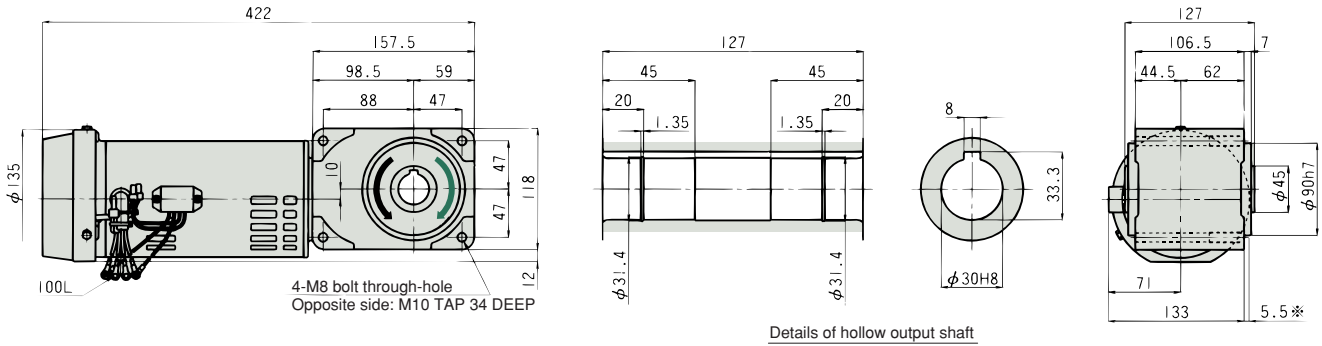
## B-23 200W HMTA200-30H5~200B

The direction of rotation of the output shaft is based on direction of rotation A shown on page 189. 1/5~1/60 ↺, 1/80~1/200 ↻

Reduction ratio : 5, 10, 15, 20, 25, 30, 40, 50, 60, 80, 100, 120, 160, 200

Approx. weight : 12.4kg

Reference page : Specification Chart→P134 Options→P184



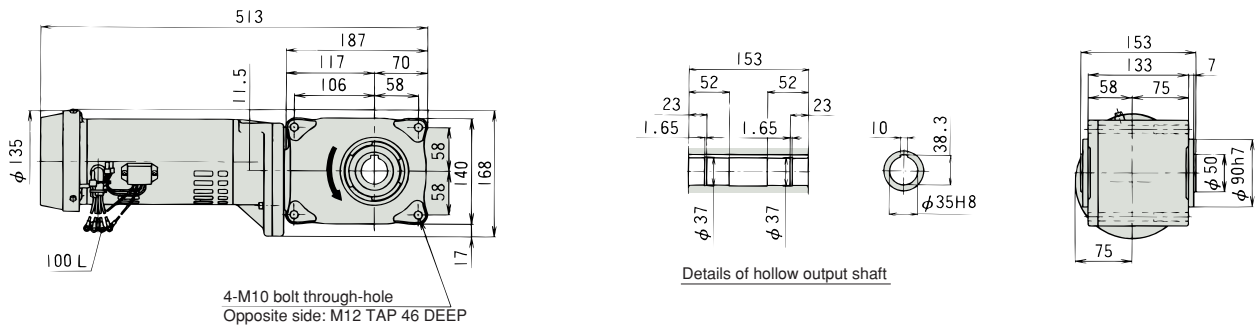
## B-24 200W HMTA200-35H300~480B

The direction of rotation of the output shaft is based on direction of rotation A shown on page 189.

Reduction ratio : 300, 360, 480

Approx. weight : 18.2kg

Reference page : Specification Chart→P134 Options→P184



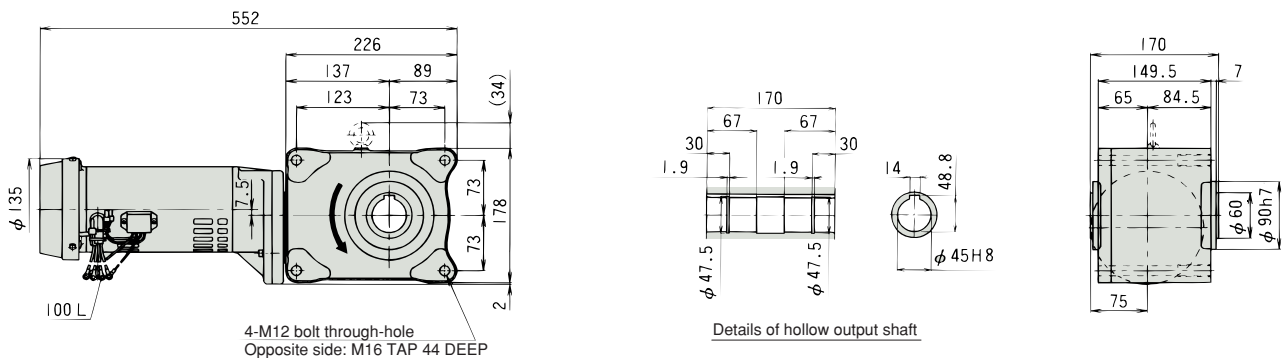
## B-25 200W HMTA200-45H600~1200B

The direction of rotation of the output shaft is based on direction of rotation A shown on page 189.

Reduction ratio : 600, 720, 960, 1200

Approx. weight : 25.5kg

Reference page : Specification Chart→P134 Options→P184



Note) The dimension marked with \* indicates that part of the motor protrudes from the mounting surface.



# Hypoid Motor TA Series Outline Dimensions

Foot mount type 0.1 kW · Brake type

HYPOID MOTOR TA Outline Dimensions ● brake type/Foot mount

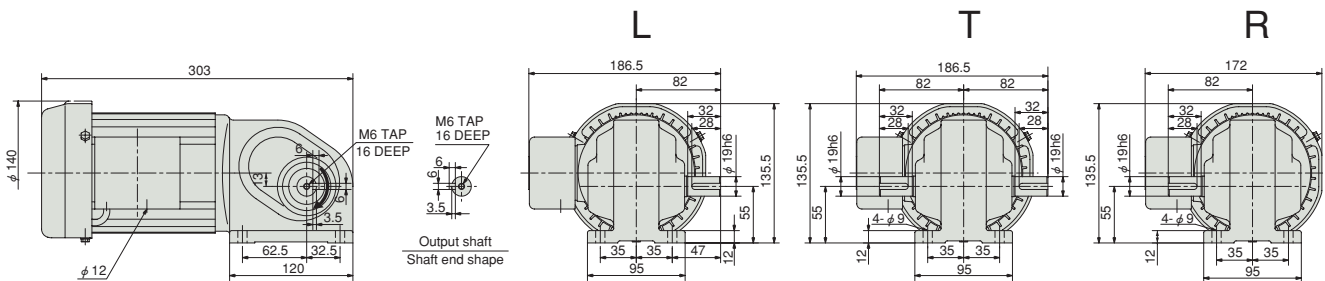
## B-26 0.1kW HMTA010-19L5~50 $\frac{L}{R}$ B

The direction of rotation of the output shaft is based on direction of rotation A shown on page 189.

Reduction ratio : 5, 10, 15, 20, 25, 30, 40, 50

Approx. weight : 7.0kg

Reference page : Specification Chart→P131



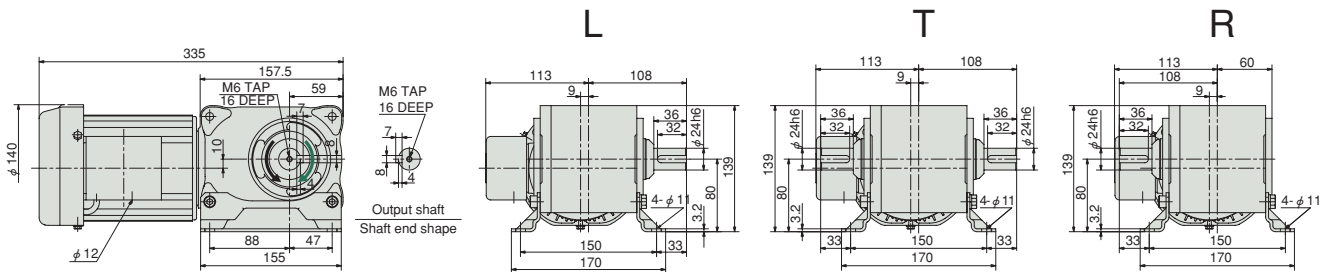
## B-27 0.1kW HMTA010-24L60~200 $\frac{L}{R}$ B

The direction of rotation of the output shaft is based on direction of rotation A shown on page 189.  $1/60$  (C),  $1/80$ ~ $1/200$  (D)

Reduction ratio : 60, 80, 100, 120, 160, 200

Approx. weight : 12.4kg

Reference page : Specification Chart→P131



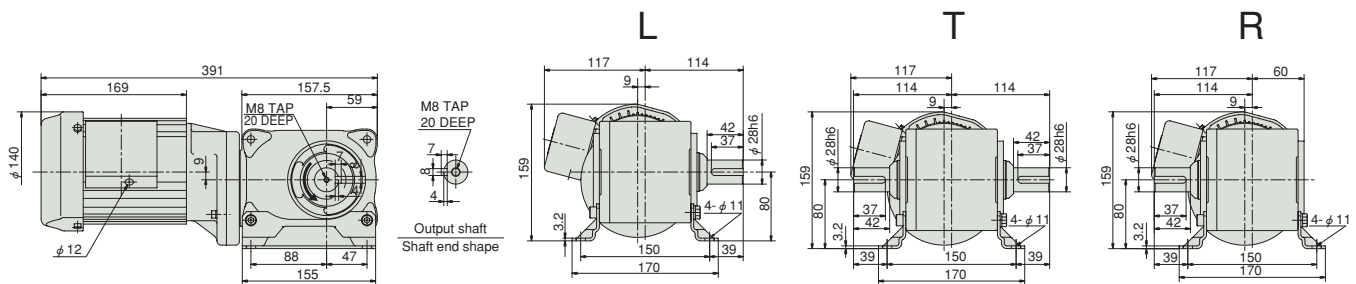
## B-28 0.1kW HMTA010-28L300~480 $\frac{L}{R}$ B

The direction of rotation of the output shaft is based on direction of rotation A shown on page 189.

Reduction ratio : 300, 360, 480

Approx. weight : 14.6kg

Reference page : Specification Chart→P131



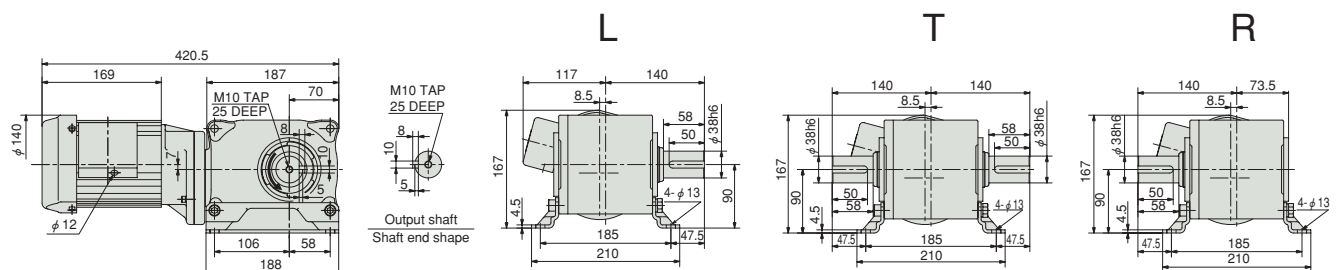
## B-29 0.1kW HMTA010-38L600~1200 $\frac{L}{R}$ B

The direction of rotation of the output shaft is based on direction of rotation A shown on page 189.

Reduction ratio : 600, 720, 960, 1200

Approx. weight : 18.4kg

Reference page : Specification Chart→P131



Note) For output shaft arrangement "T," the phases of the right and left output shaft key ways are not necessarily aligned precisely.

# Hypoid Motor TA Series Outline Dimensions

Foot mount type 0.2 kW · Brake type

HYPOID MOTOR TA Outline Dimensions ● brake type/Foot mount

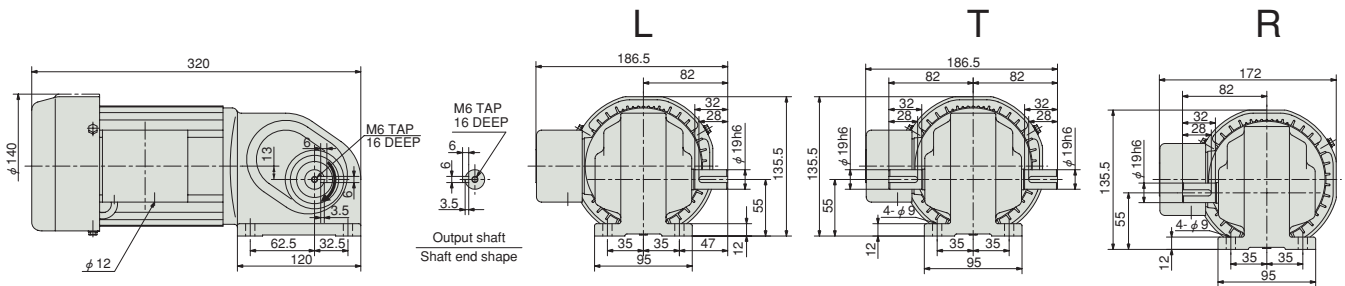
## B-30 0.2kW HMTA020-19L5~50 $\frac{L}{R}$ B

The direction of rotation of the output shaft is based on direction of rotation A shown on page 189.

Reduction ratio : 5, 10, 15, 20, 25, 30, 40, 50

Approx. weight : 7.5kg

Reference page : Specification Chart→P131



## B-31 0.2kW HMTA020-28L60~200 $\frac{L}{R}$ B

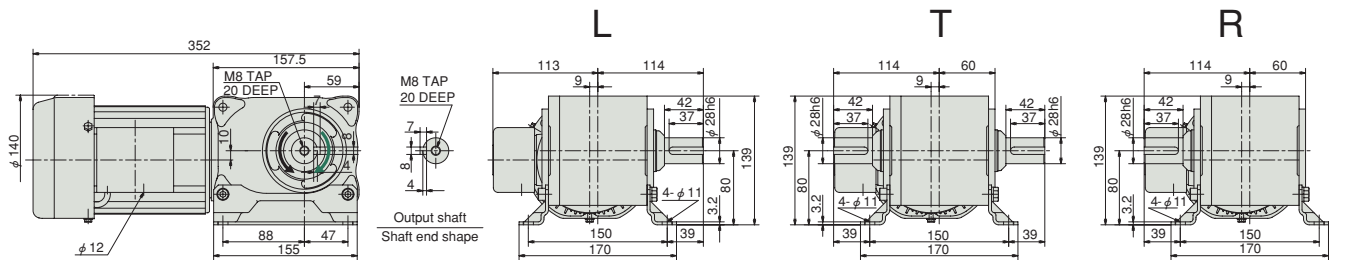
The direction of rotation of the output shaft is based on direction of rotation A shown on page 189.

1/60 ↺, 1/80~1/200 ↻

Reduction ratio : 60, 80, 100, 120, 160, 200

Approx. weight : 12.5kg

Reference page : Specification Chart→P131



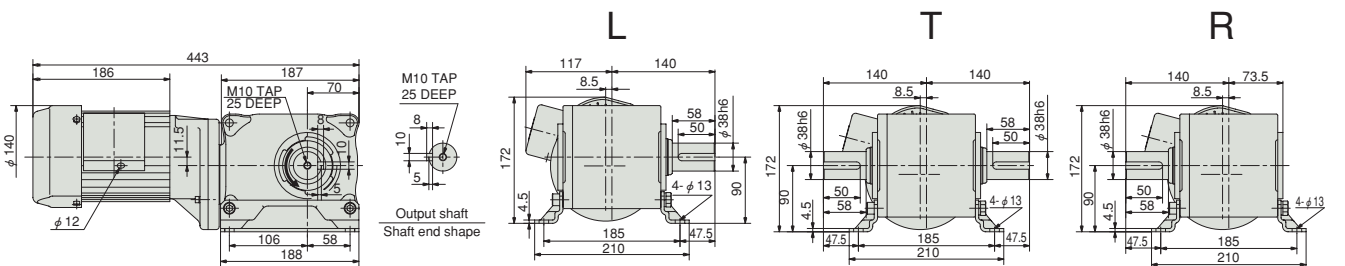
## B-32 0.2kW HMTA020-38L300~480 $\frac{L}{R}$ B

The direction of rotation of the output shaft is based on direction of rotation A shown on page 189.

Reduction ratio : 300, 360, 480

Approx. weight : 18.9kg

Reference page : Specification Chart→P131



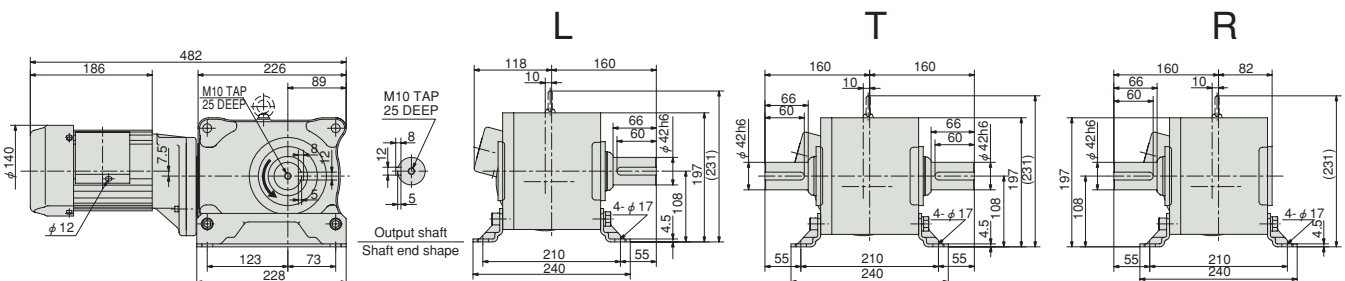
## B-33 0.2kW HMTA020-42L600~1200 $\frac{L}{R}$ B

The direction of rotation of the output shaft is based on direction of rotation A shown on page 189.

Reduction ratio : 600, 720, 960, 1200

Approx. weight : 28.4kg

Reference page : Specification Chart→P131



Note) For output shaft arrangement "T," the phases of the right and left output shaft key ways are not necessarily aligned precisely.

Outline Dimensions

L  
B-30  
B-31  
B-32  
B-33

0.2

# Hypoid Motor TA Series Outline Dimensions

Foot mount type 0.4 kW · Brake type

HYPOID MOTOR TA Outline Dimensions ● brake type/Foot mount

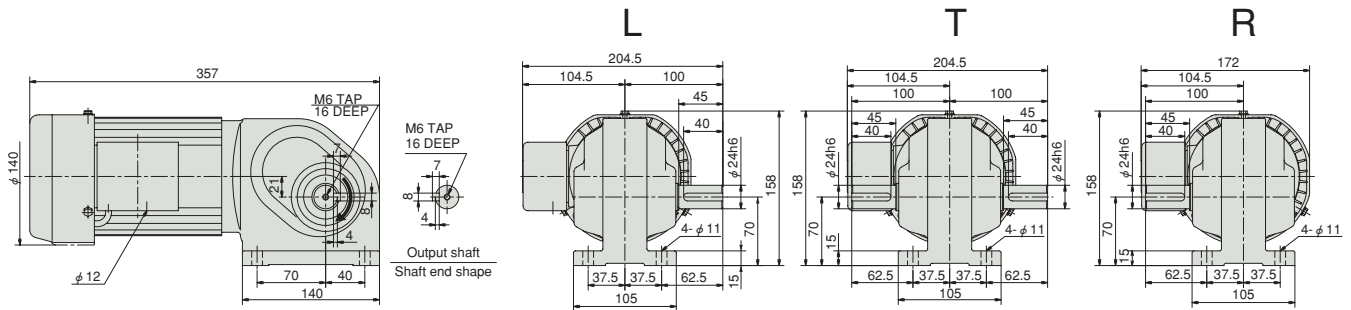
## B-34 0.4kW HMTA040-24L5~50 $\frac{1}{R}$ B

The direction of rotation of the output shaft is based on direction of rotation A shown on page 189.

Reduction ratio : 5, 10, 15, 20, 25, 30, 40, 50

Approx. weight : 10.2kg

Reference page : Specification Chart→P132



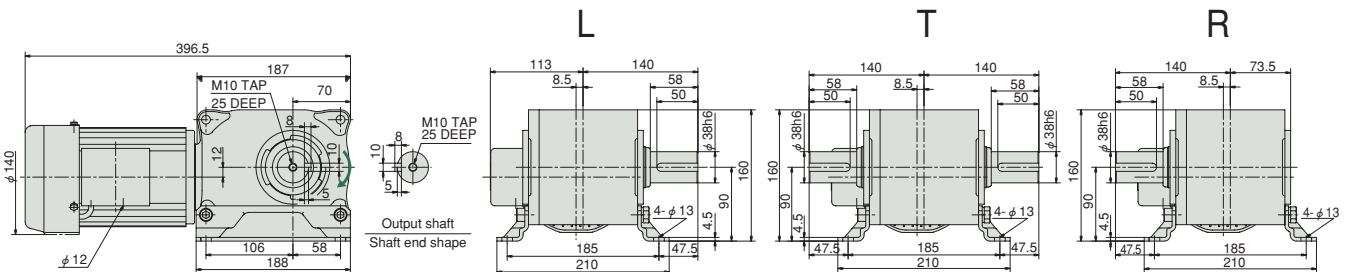
## B-35 0.4kW HMTA040-38L60~200 $\frac{1}{R}$ B

The direction of rotation of the output shaft is based on direction of rotation A shown on page 189.

Reduction ratio : 60, 80, 100, 120, 160, 200

Approx. weight : 19.3kg

Reference page : Specification Chart→P132



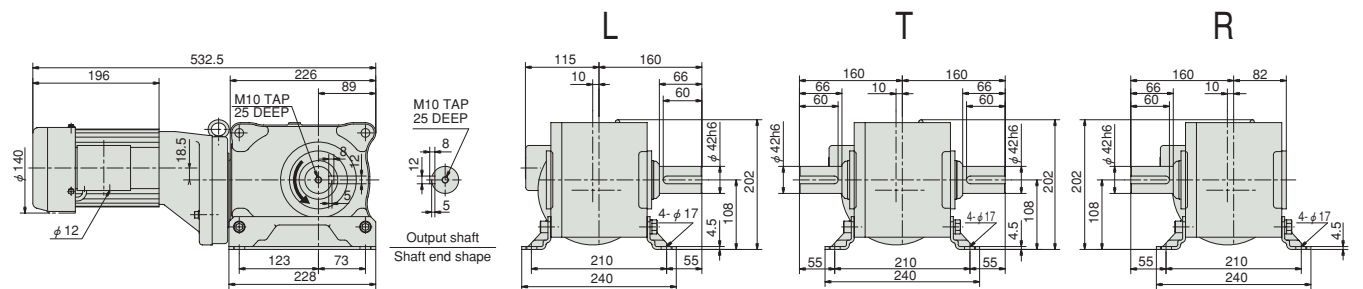
## B-36 0.4kW HMTA040-42L300~480 $\frac{1}{R}$ B

The direction of rotation of the output shaft is based on direction of rotation A shown on page 189.

Reduction ratio : 300, 360, 480

Approx. weight : 34.2kg

Reference page : Specification Chart→P132



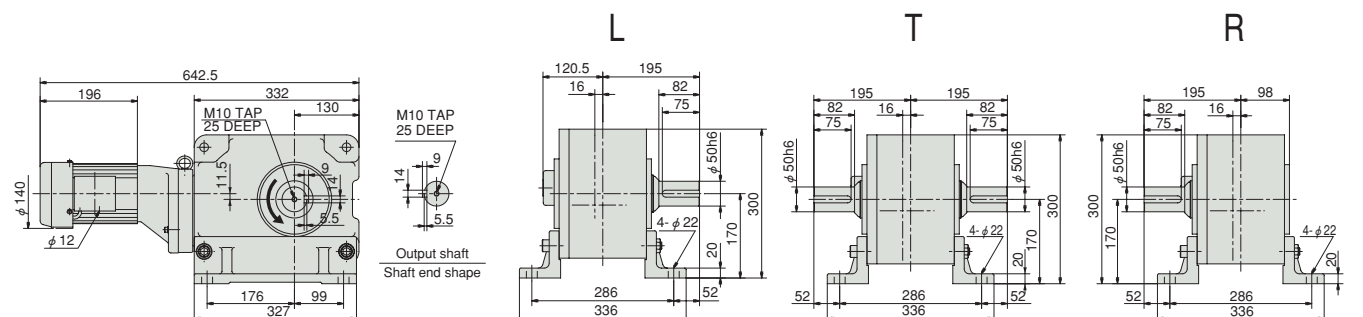
## B-37 0.4kW HMTA040-50L600~1200 $\frac{1}{R}$ B

The direction of rotation of the output shaft is based on direction of rotation A shown on page 189.

Reduction ratio : 600, 720, 960, 1200

Approx. weight : 78.3kg

Reference page : Specification Chart→P132



Note) For output shaft arrangement "T," the phases of the right and left output shaft key ways are not necessarily aligned precisely.

# Hypooid Motor TA Series Outline Dimensions

Foot mount type 0.75 kW · Brake type

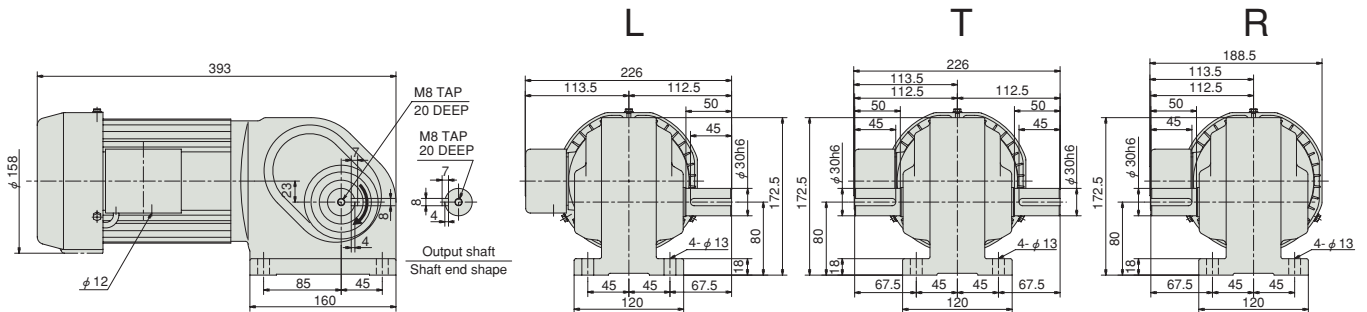
HYPOID MOTOR TA Outline Dimensions ● brake type/Foot mount

**B-38** 0.75kW **HMTA075-30L5~50**  $\frac{L}{R}$   $\frac{T}{R}$  B The direction of rotation of the output shaft is based on direction of rotation A shown on page 189.

Reduction ratio : 5, 10, 15, 20, 25, 30, 40, 50

Approx. weight : 17.5kg

Reference page : Specification Chart→P132

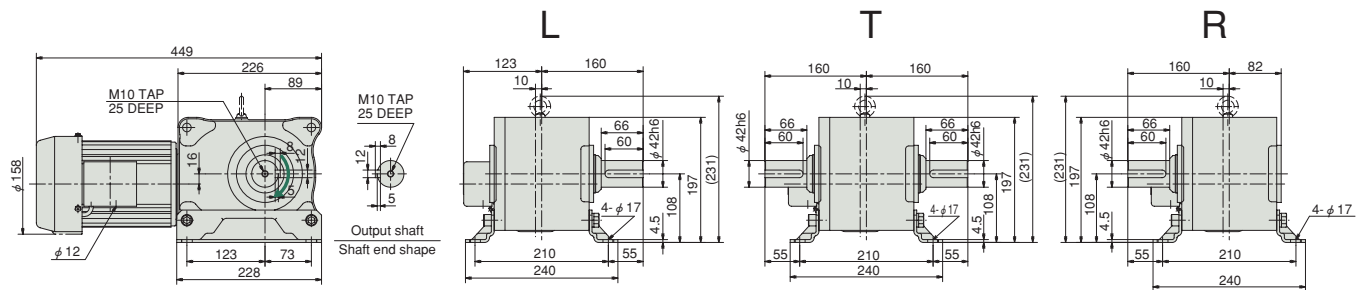


**B-39** 0.75kW **HMTA075-42L60~200**  $\frac{L}{R}$   $\frac{T}{R}$  B The direction of rotation of the output shaft is based on direction of rotation A shown on page 189.

Reduction ratio : 60, 80, 100, 120, 160, 200

Approx. weight : 31.0kg

Reference page : Specification Chart→P132

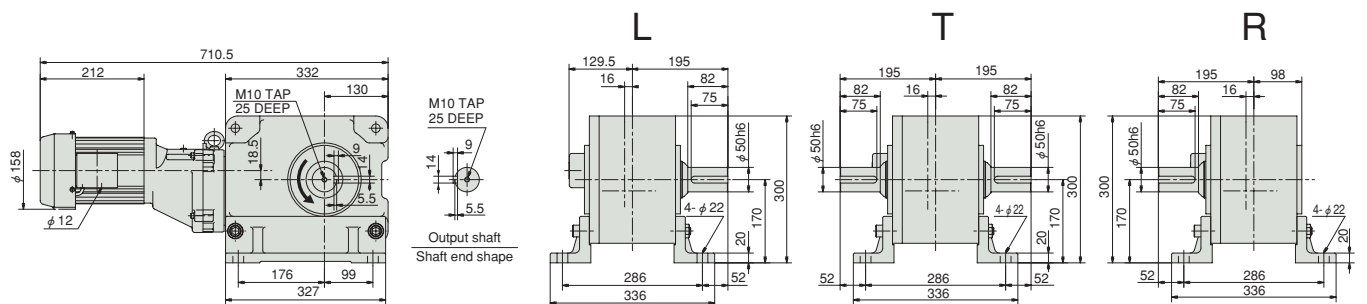


**B-40** 0.75kW **HMTA075-50L300~480**  $\frac{L}{R}$   $\frac{T}{R}$  B The direction of rotation of the output shaft is based on direction of rotation A shown on page 189.

Reduction ratio : 300, 360, 480

Approx. weight : 86.5kg

Reference page : Specification Chart→P132



Note) For output shaft arrangement "T," the phases of the right and left output shaft key ways are not necessarily aligned precisely.

# Hypoid Motor TA Series Outline Dimensions

Foot mount type 1.5 · 2.2 kW · Brake type

HYPOID MOTOR TA Outline Dimensions ● brake type/Foot mount

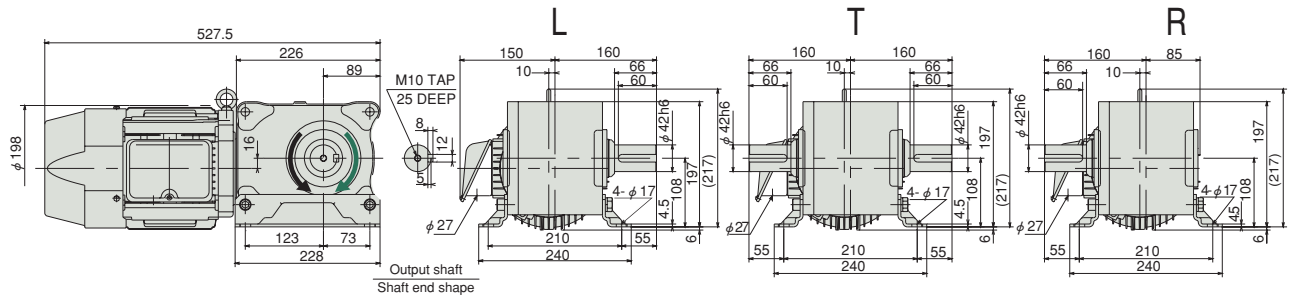
## B-41 1.5kW HMTA150-42L5~80 $\frac{L}{R}$ B

The direction of rotation of the output shaft is based on direction of rotation A shown on page 189. 1/5~1/30 ↺、1/40~1/50 ↻

Reduction ratio : 5, 10, 15, 20, 25, 30, 40, 50, 60, 80

Approx. weight : 40.0kg

Reference page : Specification Chart→P133



Part of the motor protrudes from the foot undersurface.

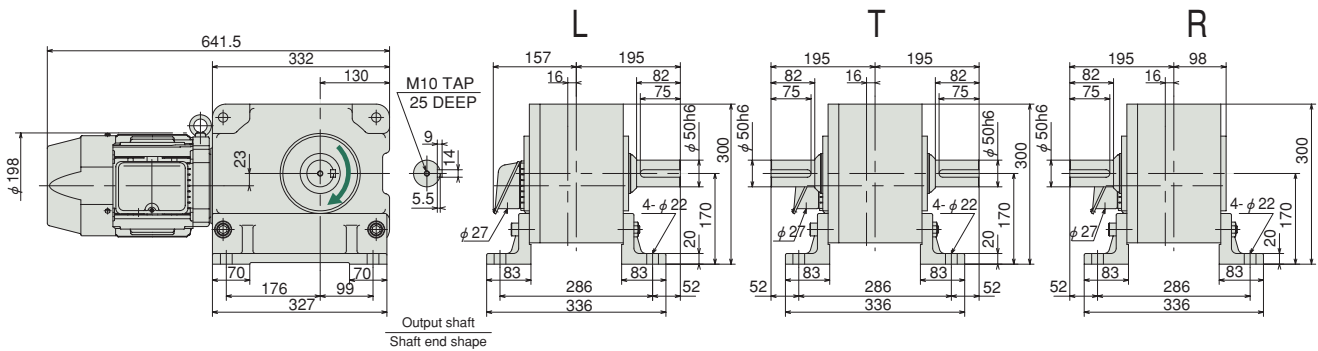
## B-42 1.5kW HMTA150-50L100~200 $\frac{L}{R}$ B

The direction of rotation of the output shaft is based on direction of rotation A shown on page 189.

Reduction ratio : 100, 120, 160, 200

Approx. weight : 86.0kg

Reference page : Specification Chart→P133



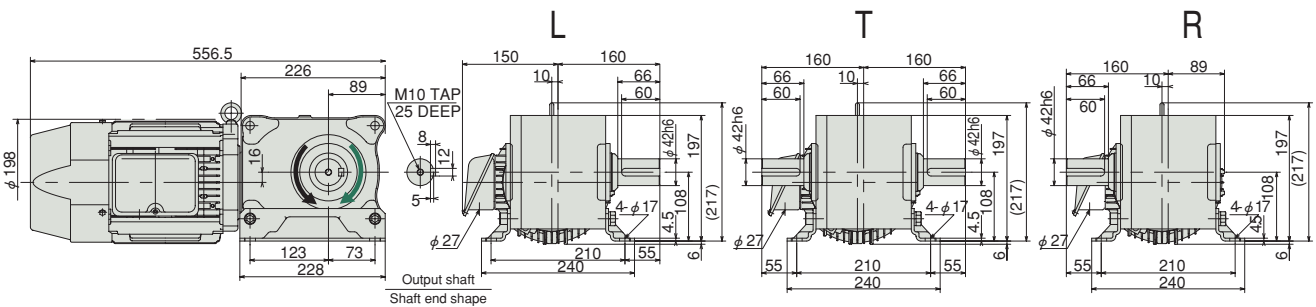
## B-43 2.2kW HMTA220-42L5~60 $\frac{L}{R}$ B

The direction of rotation of the output shaft is based on direction of rotation A shown on page 189. 1/5~1/20 ↺、1/25~1/60 ↻

Reduction ratio : 5, 10, 15, 20, 25, 30, 40, 50, 60

Approx. weight : 44.0kg

Reference page : Specification Chart→P133



Part of the motor protrudes from the foot undersurface.

Note) For output shaft arrangement "T," the phases of the right and left output shaft key ways are not necessarily aligned precisely.

Note) Part of the motor protrudes from the foot undersurface in drawings B-41 and B-43. It is possible to manufacture a motor without protrusion, in which case some dimensions such as the height changes. Please contact us for more information.





# Hypoid Motor TA Series Outline Dimensions

Foot mount type 100 W · Brake type

HYPOID MOTOR TA Outline Dimensions ● brake type/Foot mount

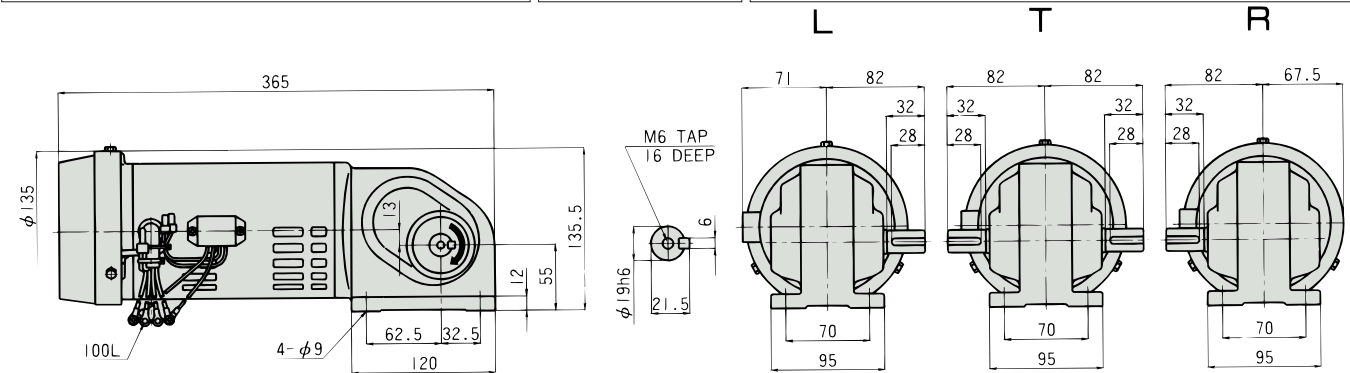
## B-47 100W HMTA100-19L5~50 $\frac{L}{R}$ B

The direction of rotation of the output shaft is based on direction of rotation A shown on page 189.

Reduction ratio : 5, 10, 15, 20, 25, 30, 40, 50

Approx. weight : 7.6kg

Reference page : Specification Chart→P134



## B-48 100W HMTA100-24L60~200 $\frac{L}{R}$ B

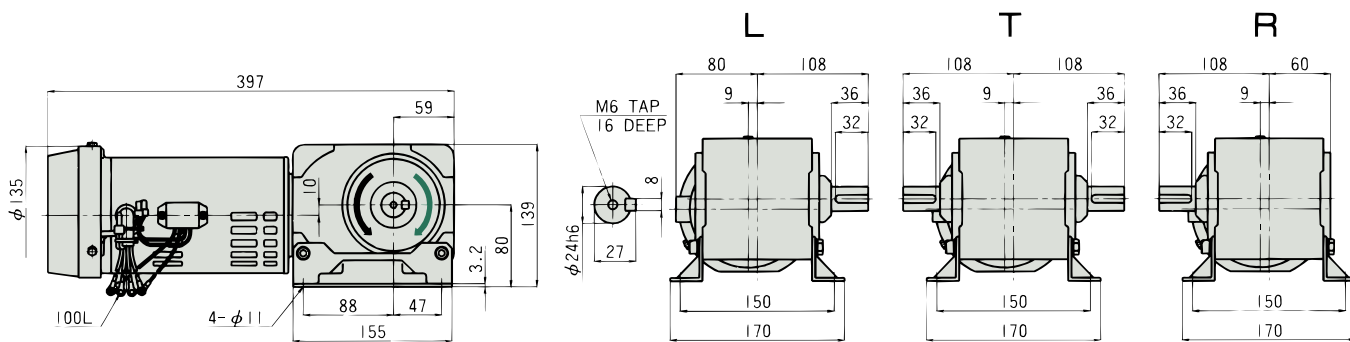
The direction of rotation of the output shaft is based on direction of rotation A shown on page 189.

1/60 (、 1/80~1/200)

Reduction ratio : 60, 80, 100, 120, 160, 200

Approx. weight : 12.4kg

Reference page : Specification Chart→P134



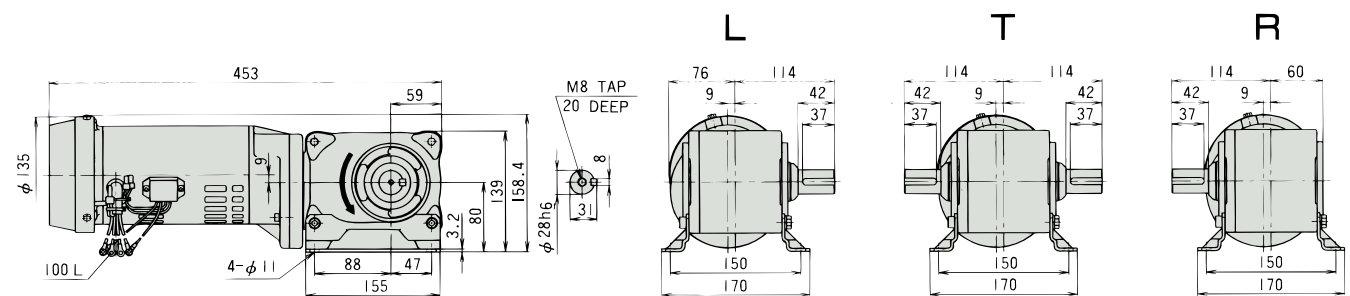
## B-49 100W HMTA100-28L300~480 $\frac{L}{R}$ B

The direction of rotation of the output shaft is based on direction of rotation A shown on page 189.

Reduction ratio : 300, 360, 480

Approx. weight : 14.8kg

Reference page : Specification Chart→P134



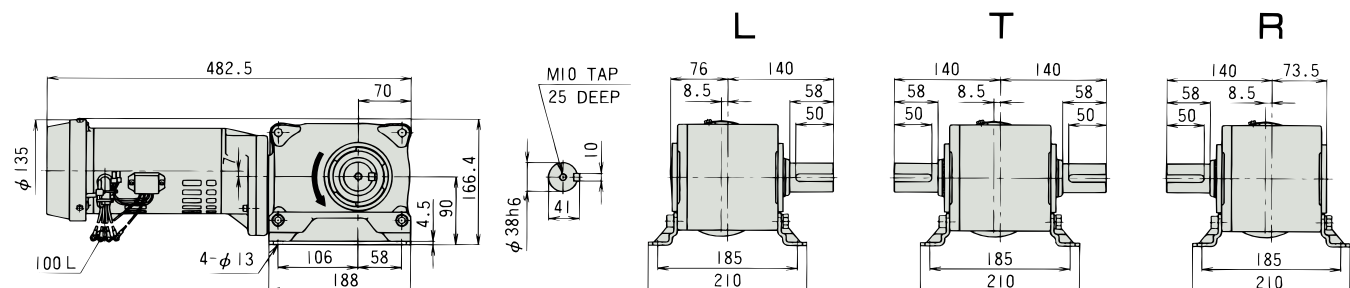
## B-50 100W HMTA100-38L600~1200 $\frac{L}{R}$ B

The direction of rotation of the output shaft is based on direction of rotation A shown on page 189.

Reduction ratio : 600, 720, 960, 1200

Approx. weight : 18.6kg

Reference page : Specification Chart→P134



Note) For output shaft arrangement "T," the phases of the right and left output shaft key ways are not necessarily aligned precisely.



# Hypoid Motor TA Series Outline Dimensions

Foot mount type 200 W · Brake type

HYPOID MOTOR TA Outline Dimensions ● brake type/Foot mount

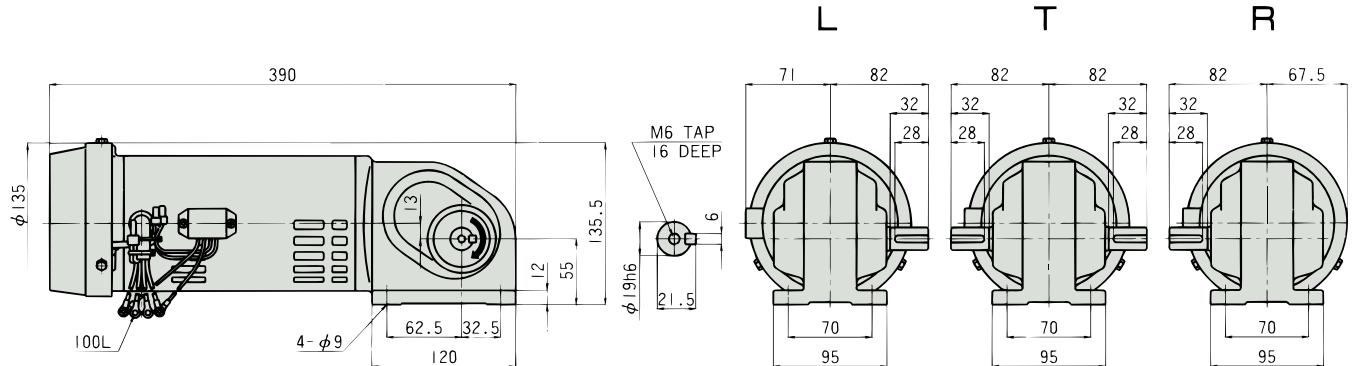
## B-51 200W HMTA200-19L5~50 $\frac{L}{R}$ B

The direction of rotation of the output shaft is based on direction of rotation A shown on page 189.

Reduction ratio : 5, 10, 15, 20, 25, 30, 40, 50

Approx. weight : 9.6kg

Reference page : Specification Chart→P134



## B-52 200W HMTA200-28L60~200 $\frac{L}{R}$ B

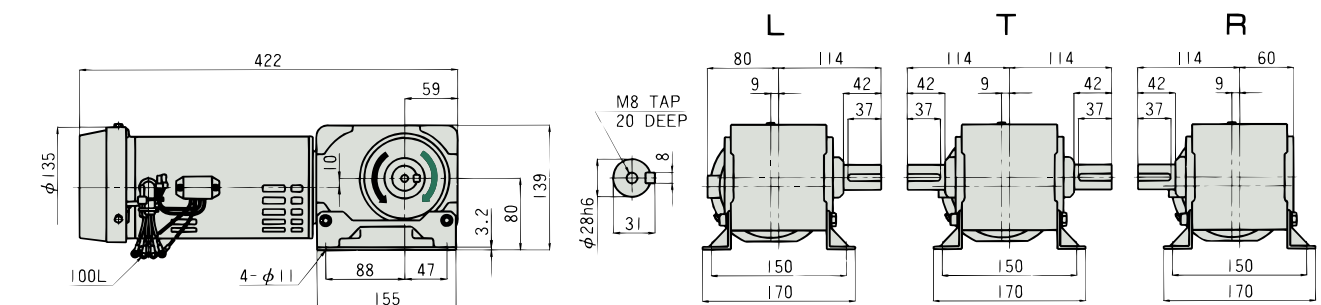
The direction of rotation of the output shaft is based on direction of rotation A shown on page 189.

1/60, 1/80~1/200

Reduction ratio : 60, 80, 100, 120, 160, 200

Approx. weight : 14.0kg

Reference page : Specification Chart→P134



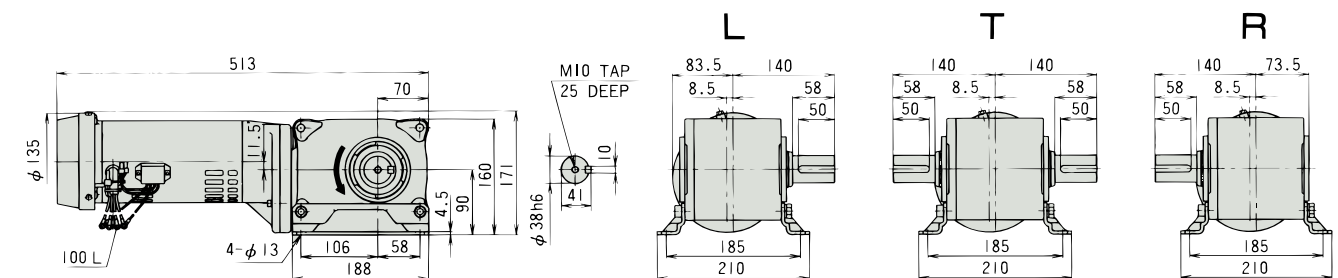
## B-53 200W HMTA200-38L300~480 $\frac{L}{R}$ B

The direction of rotation of the output shaft is based on direction of rotation A shown on page 189.

Reduction ratio : 300, 360, 480

Approx. weight : 21.0kg

Reference page : Specification Chart→P134



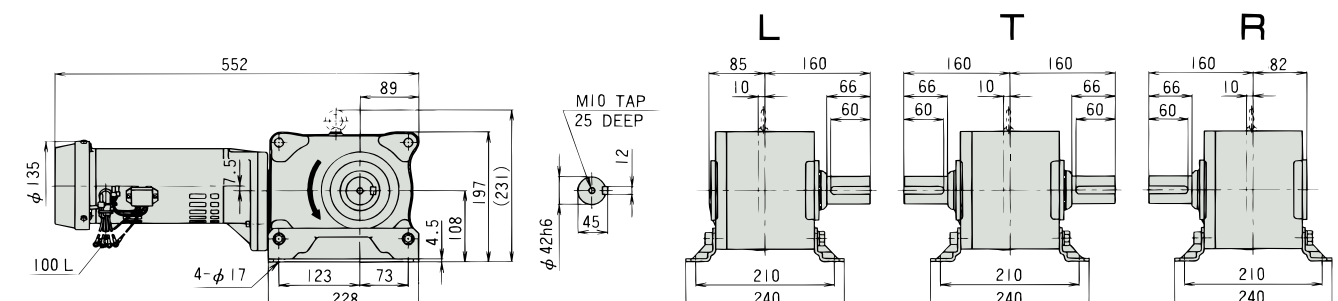
## B-54 200W HMTA200-42L600~1200 $\frac{L}{R}$ B

The direction of rotation of the output shaft is based on direction of rotation A shown on page 189.

Reduction ratio : 600, 720, 960, 1200

Approx. weight : 31.0kg

Reference page : Specification Chart→P134



Note) For output shaft arrangement "T," the phases of the right and left output shaft key ways are not necessarily aligned precisely.

# Hypoid Motor TA Series Outline Dimensions

Face mount type 0.1 kW · Brake type

HYPOID MOTOR TA Outline Dimensions ● brake type/Face mount

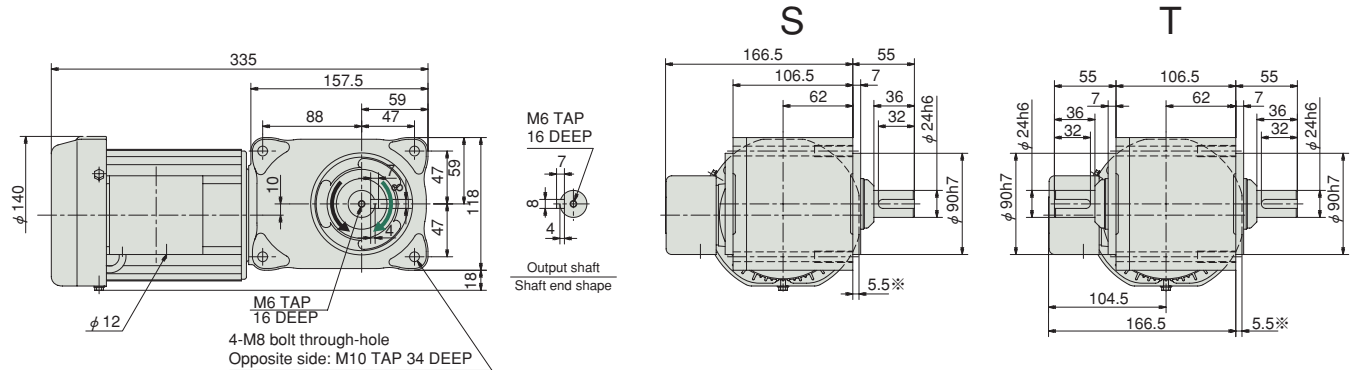
## B-55 0.1kW HMTA010-24U5~200<sup>SB</sup>

The direction of rotation of the output shaft is based on direction of rotation A shown on page 189. 1/5~1/60 ↺、1/80~1/200 ↻

Reduction ratio : 5, 10, 15, 20, 25, 30, 40, 50, 60, 80, 100, 120, 160, 200

Approx. weight : 11.7kg

Reference page : Specification Chart→P131



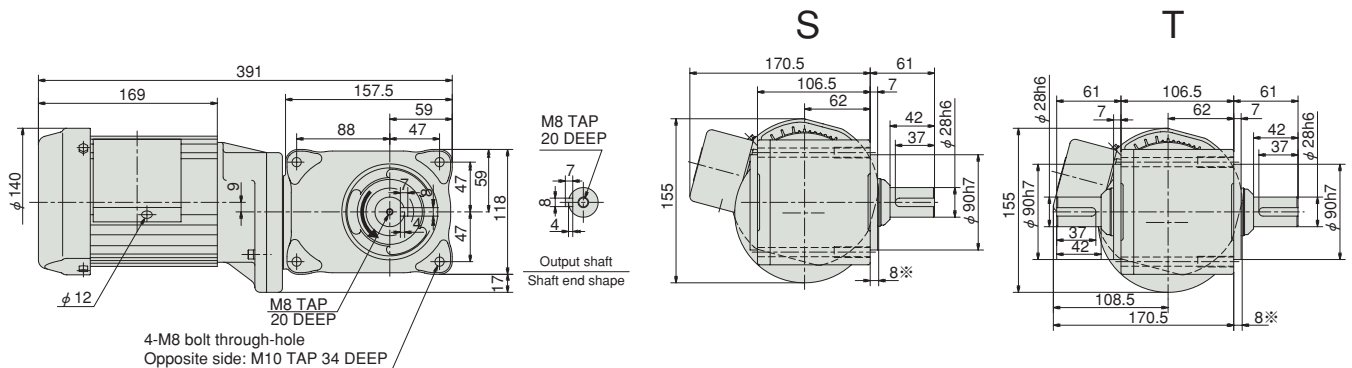
## B-56 0.1kW HMTA010-28U300~480<sup>SB</sup>

The direction of rotation of the output shaft is based on direction of rotation A shown on page 189.

Reduction ratio : 300, 360, 480

Approx. weight : 13.7kg

Reference page : Specification Chart→P131



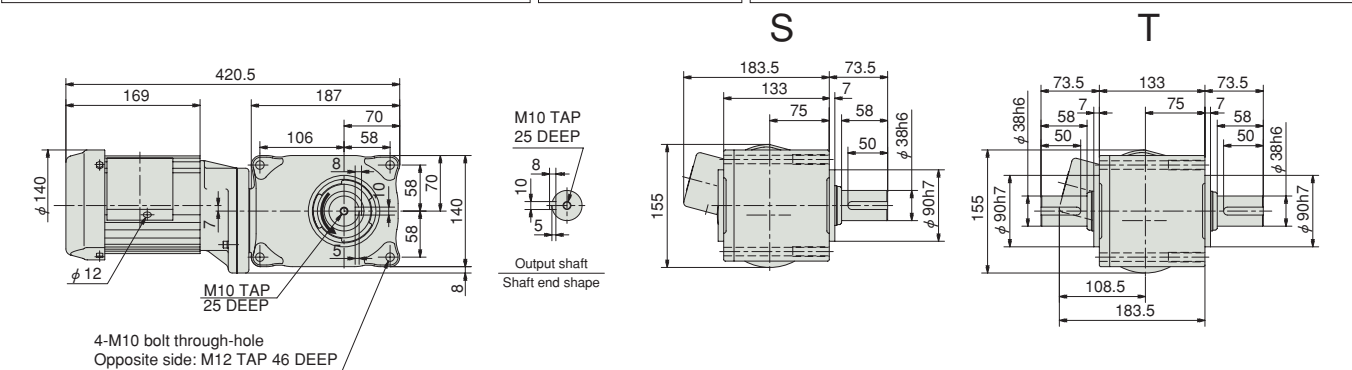
## B-57 0.1kW HMTA010-38U600~1200<sup>SB</sup>

The direction of rotation of the output shaft is based on direction of rotation A shown on page 189.

Reduction ratio : 600, 720, 960, 1200

Approx. weight : 17.4kg

Reference page : Specification Chart→P131



Note) The dimension marked with \* indicates that part of the motor protrudes from the mounting surface.

Note) For output shaft arrangement "T," the phases of the right and left output shaft key ways are not necessarily aligned precisely.

Outline Dimensions

U  
B-55  
B-56  
B-57  
B-58  
0.1

# Hypooid Motor TA Series Outline Dimensions

Face mount type 0.2 kW · Brake type

HYPOID MOTOR TA Outline Dimensions ● brake type/Face mount

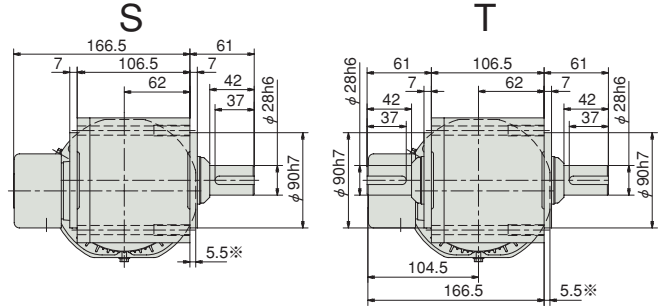
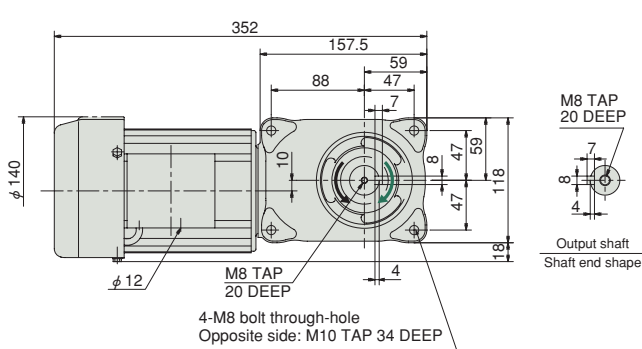
## B-58 0.2kW HMTA020-28U5~200 3/B

The direction of rotation of the output shaft is based on direction of rotation A shown on page 189. 1/5~1/60 (↺), 1/80~1/200 (↻)

Reduction ratio : 5, 10, 15, 20, 25, 30, 40, 50, 60, 80, 100, 120, 160, 200

Approx. weight : 11.8kg

Reference page : Specification Chart→P131



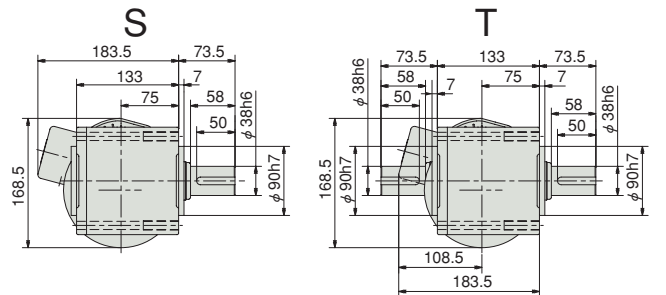
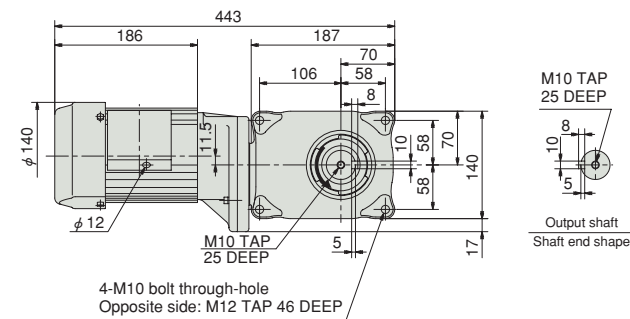
## B-59 0.2kW HMTA020-38U300~480 3/B

The direction of rotation of the output shaft is based on direction of rotation A shown on page 189.

Reduction ratio : 300, 360, 480

Approx. weight : 17.9kg

Reference page : Specification Chart→P131



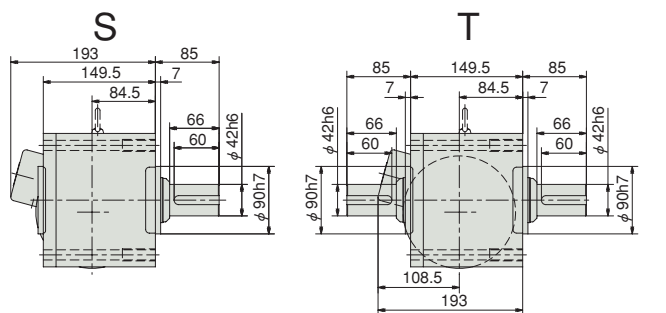
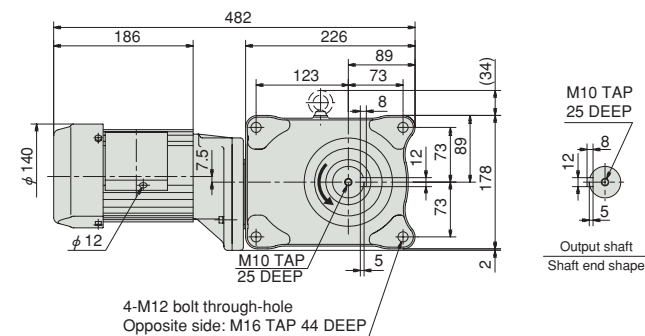
## B-60 0.2kW HMTA020-42U600~1200 3/B

The direction of rotation of the output shaft is based on direction of rotation A shown on page 189.

Reduction ratio : 600, 720, 960, 1200

Approx. weight : 27.4kg

Reference page : Specification Chart→P131



Note) The dimension marked with ※ indicates that part of the motor protrudes from the mounting surface.

Note) For output shaft arrangement "T," the phases of the right and left output shaft key ways are not necessarily aligned precisely.

# Hypoid Motor TA Series Outline Dimensions

Face mount type 0.4 kW · Brake type

HYPOID MOTOR TA Outline Dimensions ● brake type/Face mount

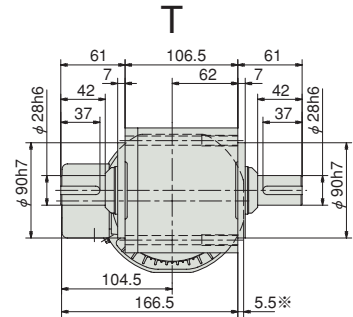
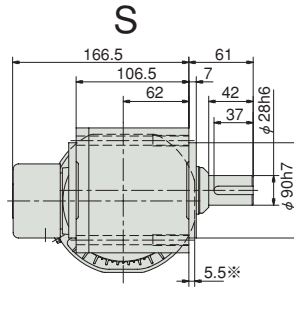
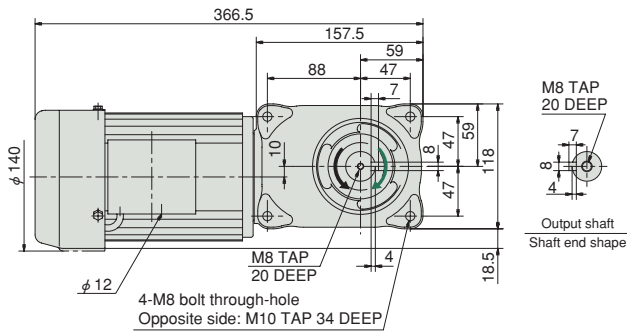
## B-61 0.4kW HMTA040-28U5~50 S B

The direction of rotation of the output shaft is based on direction of rotation A shown on page 189. 1/5~1/60 (↺), 1/80~1/200 (↻)

Reduction ratio : 5, 10, 15, 20, 25, 30, 40, 50

Approx. weight : 12.7kg

Reference page : Specification Chart→P132



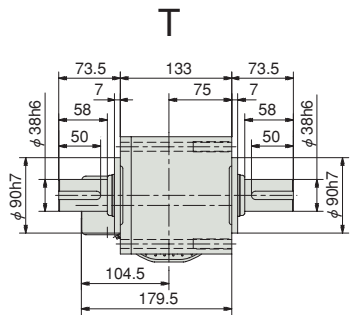
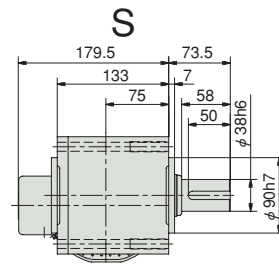
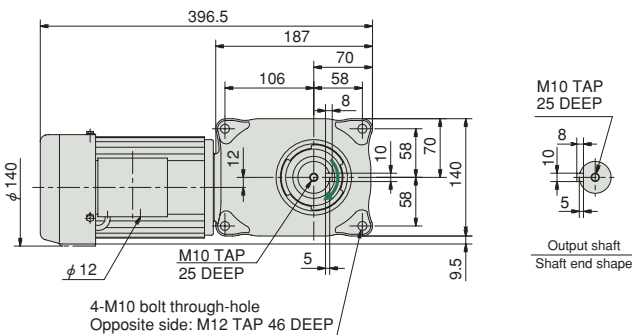
## B-62 0.4kW HMTA040-38U60~200 S B

The direction of rotation of the output shaft is based on direction of rotation A shown on page 189.

Reduction ratio : 60, 80, 100, 120, 160, 200

Approx. weight : 18.5kg

Reference page : Specification Chart→P132



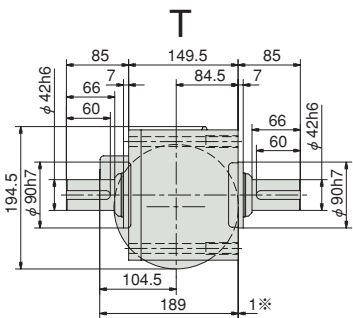
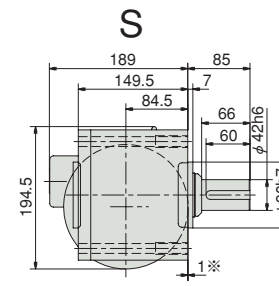
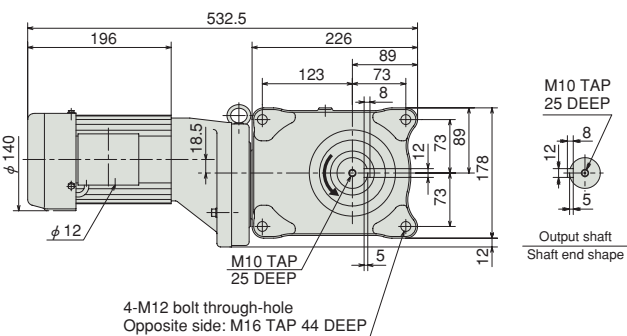
## B-63 0.4kW HMTA040-42U300~480 S B

The direction of rotation of the output shaft is based on direction of rotation A shown on page 189.

Reduction ratio : 300, 360, 480

Approx. weight : 32.7kg

Reference page : Specification Chart→P132



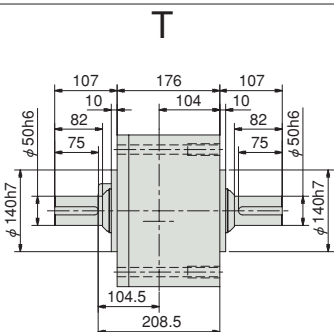
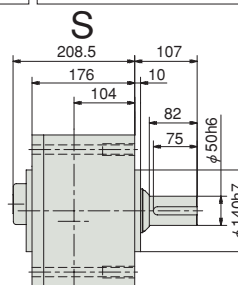
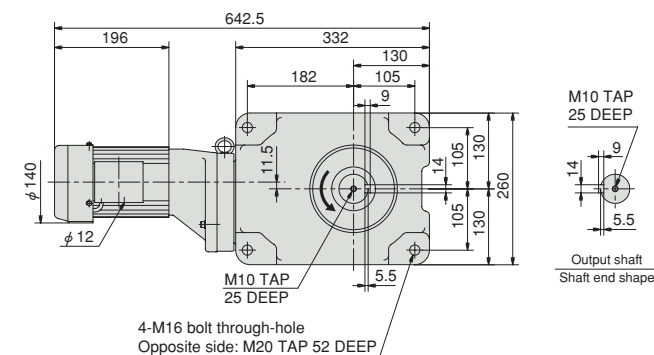
## B-64 0.4kW HMTA040-50U600~1200 S B

The direction of rotation of the output shaft is based on direction of rotation A shown on page 189.

Reduction ratio : 600, 720, 960, 1200

Approx. weight : 61.3kg

Reference page : Specification Chart→P132



Note) The dimension marked with \* indicates that part of the motor protrudes from the mounting surface.

Note) For output shaft arrangement "T," the phases of the right and left output shaft key ways are not necessarily aligned precisely.

# Hypoid Motor TA Series Outline Dimensions

Face mount type 0.75 kW · Brake type

HYPOID MOTOR TA Outline Dimensions ● brake type/Face mount

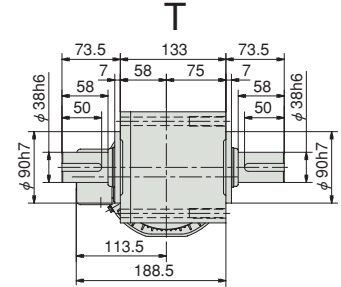
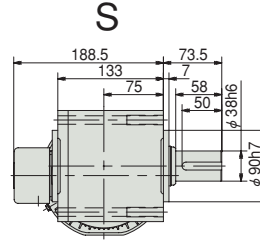
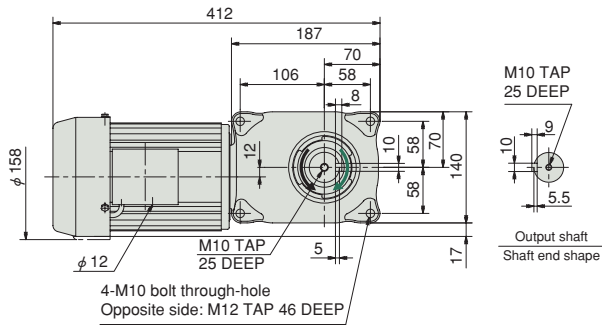
## B-65 0.75kW HMTA075-38U5~50 5/B

The direction of rotation of the output shaft is based on direction of rotation A shown on page 189. 1/5~1/30 ↺, 1/40~1/50 ↻

Reduction ratio : 5, 10, 15, 20, 25, 30, 40, 50

Approx. weight : 23.0kg

Reference page : Specification Chart→P132



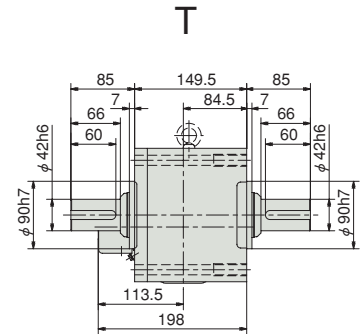
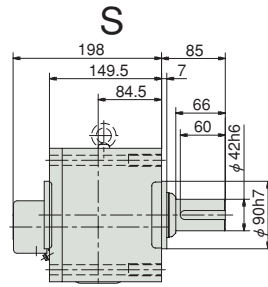
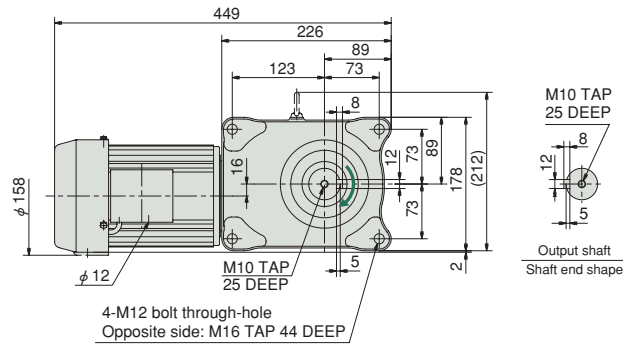
## B-66 0.75kW HMTA075-42U60~200 5/B

The direction of rotation of the output shaft is based on direction of rotation A shown on page 189.

Reduction ratio : 60, 80, 100, 120, 160, 200

Approx. weight : 29.5kg

Reference page : Specification Chart→P132



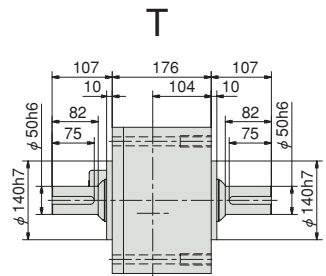
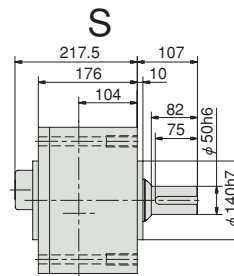
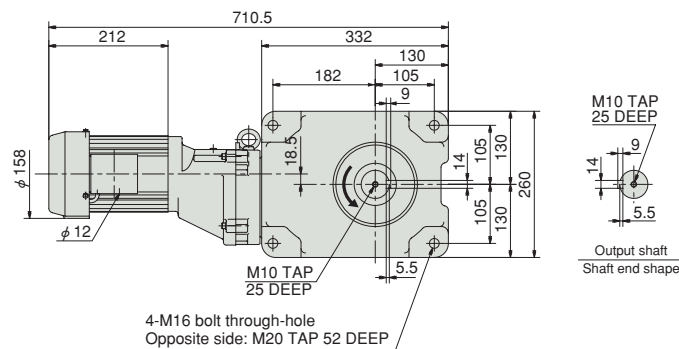
## B-67 0.75kW HMTA075-50U300~480 5/B

The direction of rotation of the output shaft is based on direction of rotation A shown on page 189.

Reduction ratio : 300, 360, 480

Approx. weight : 69.5kg

Reference page : Specification Chart→P132



Note) For output shaft arrangement "T," the phases of the right and left output shaft key ways are not necessarily aligned precisely.

# Hypoid Motor TA Series Outline Dimensions

Face mount type 1.5 · 2.2 kW · Brake type

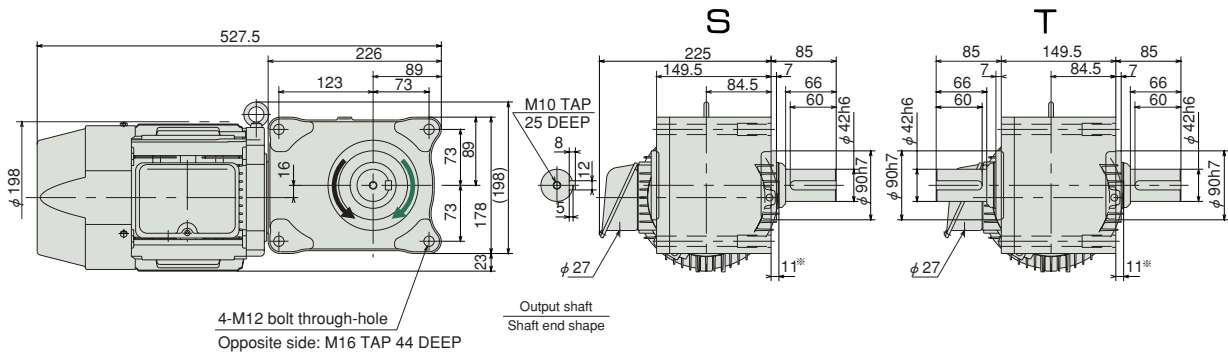
HYPOID MOTOR TA Outline Dimensions ● brake type/Face mount

## B-68 1.5kW HMTA150-42U5~80<sup>SB</sup> The direction of rotation of the output shaft is based on direction of rotation A shown on page 189. 1/5~1/30 ↺、1/40~1/50 ↻

Reduction ratio : 5, 10, 15, 20, 25, 30, 40, 50, 60, 80

Approx. weight : 38.0kg

Reference page : Specification Chart→P133

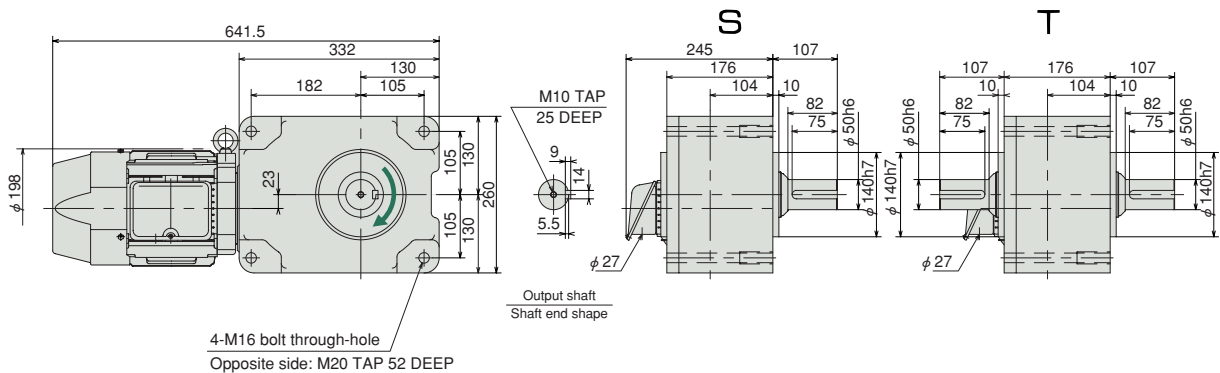


## B-69 1.5kW HMTA150-50U100~200<sup>SB</sup> The direction of rotation of the output shaft is based on direction of rotation A shown on page 189.

Reduction ratio : 100, 120, 160, 200

Approx. weight : 68.0kg

Reference page : Specification Chart→P133

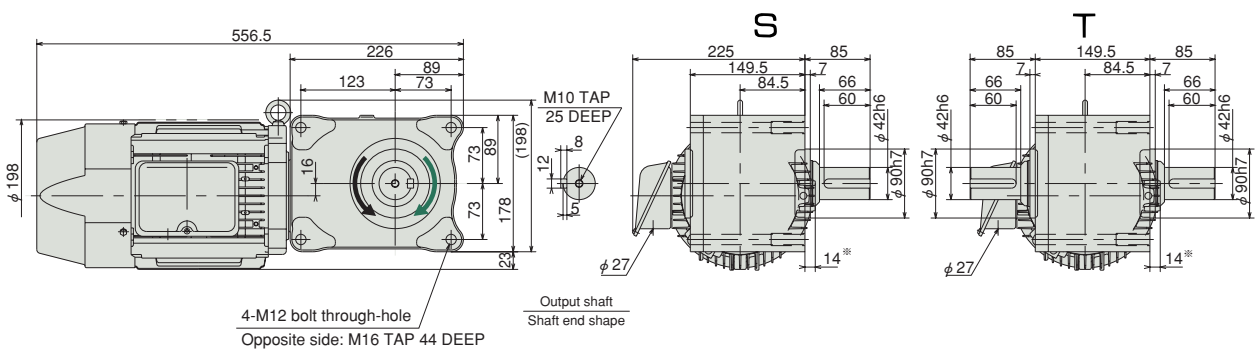


## B-70 2.2kW HMTA220-42U5~60<sup>SB</sup> The direction of rotation of the output shaft is based on direction of rotation A shown on page 189. 1/5~1/20 ↺、1/25~1/60 ↻

Reduction ratio : 5, 10, 15, 20, 25, 30, 40, 50, 60

Approx. weight : 43.0kg

Reference page : Specification Chart→P133



Note) The dimension marked with \* indicates that part of the motor protrudes from the mounting surface.

Note) For output shaft arrangement "T," the phases of the right and left output shaft key ways are not necessarily aligned precisely.

Outline Dimensions

U

B-68

B-69

B-70

1.5

2.2



# Hypoid Motor TA Series Outline Dimensions

Face mount type 2.2 · 3.7 · 5.5 kW · Brake type

HYPOID MOTOR TA Outline Dimensions ● brake type/Face mount

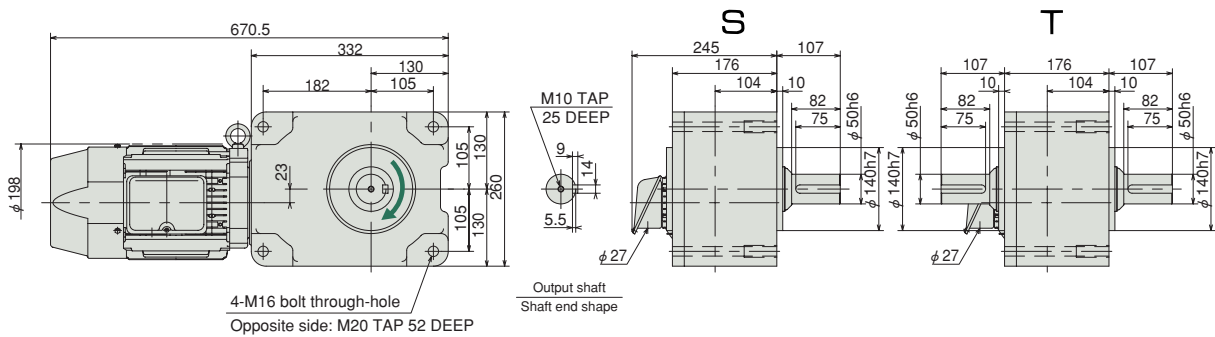
## B-71 2.2kW HMTA220-50U80~120<sup>S</sup>B

The direction of rotation of the output shaft is based on direction of rotation A shown on page 189.

Reduction ratio : 80, 100, 120

Approx. weight : 72.0kg

Reference page : Specification Chart→P133



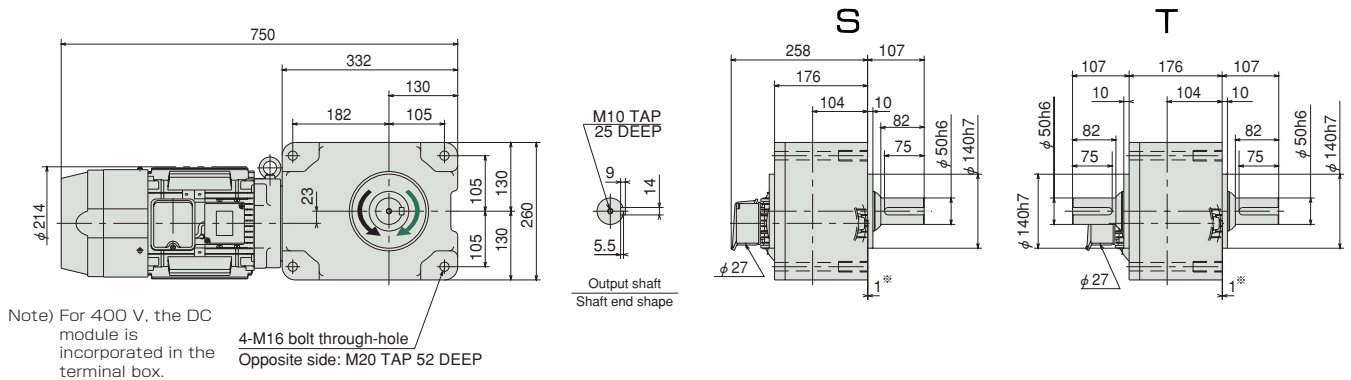
## B-72 3.7kW HMTA370-50U5~60<sup>S</sup>B

The direction of rotation of the output shaft is based on direction of rotation A shown on page 189.  $1/5 \sim 1/20$  ↺,  $1/25 \sim 1/60$  ↻

Reduction ratio : 5, 10, 15, 20, 25, 30, 40, 50, 60

Approx. weight : 84.0kg

Reference page : Specification Chart→P133



Note) For 400 V, the DC module is incorporated in the terminal box.

4-M16 bolt through-hole  
Opposite side: M20 TAP 52 DEEP

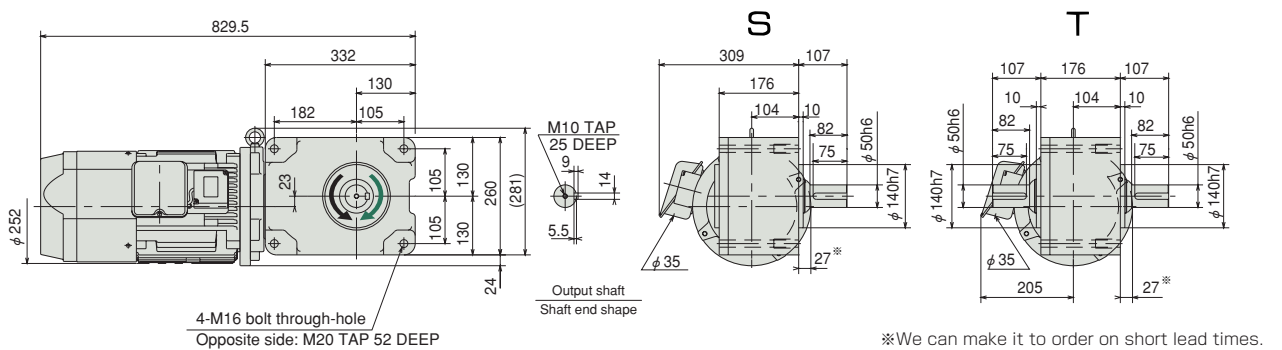
## B-73 5.5kW HMTA550-50U5~40<sup>S</sup>B

The direction of rotation of the output shaft is based on direction of rotation A shown on page 189.  $1/5 \sim 1/20$  ↺,  $1/25 \sim 1/40$  ↻

Reduction ratio : 5, 10, 15, 20, 25, 30, 40

Approx. weight : 109.0kg

Reference page : Specification Chart→P133



4-M16 bolt through-hole  
Opposite side: M20 TAP 52 DEEP

※We can make it to order on short lead times.

Note) The dimension marked with ※ indicates that part of the motor protrudes from the mounting surface.

Note) For output shaft arrangement "T," the phases of the right and left output shaft key ways are not necessarily aligned precisely.

Outline Dimensions

U

B-71  
B-72  
B-73

2.2  
3.7  
5.5



# Hypoid Motor TA Series Outline Dimensions

Face mount type 100 W · Brake type

HYPOID MOTOR TA Outline Dimensions ● brake type/Face mount

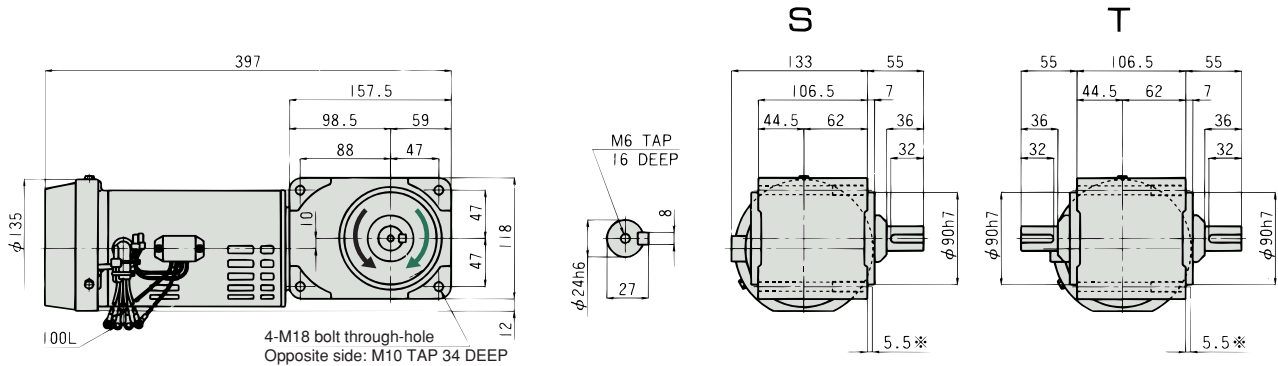
## B-74 100W HMTA100-24U5~200 S B

The direction of rotation of the output shaft is based on direction of rotation A shown on page 189. 1/5~1/60 (↺), 1/80~1/200 (↻)

Reduction ratio : 5, 10, 15, 20, 25, 30, 40, 50, 60, 80, 100, 120, 160, 200

Approx. weight : 11.7kg

Reference page : Specification Chart→P134



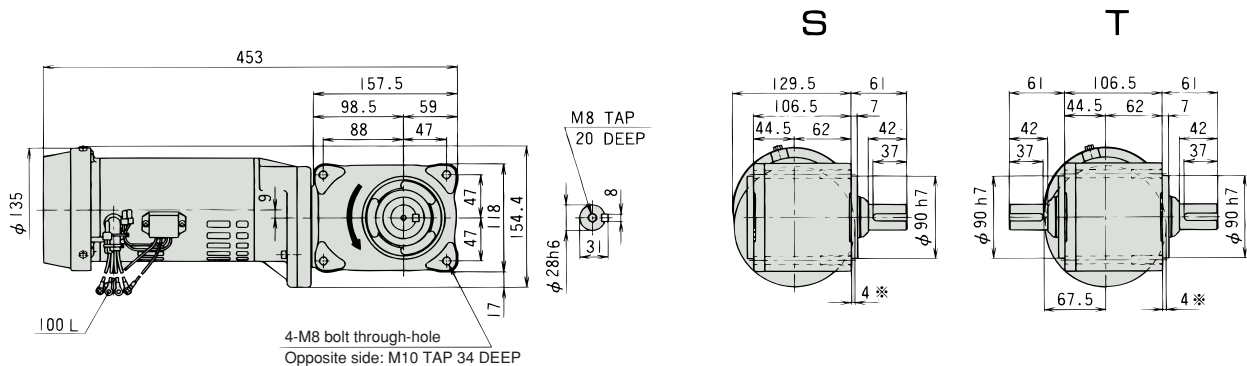
## B-75 100W HMTA100-28U300~480 S B

The direction of rotation of the output shaft is based on direction of rotation A shown on page 189.

Reduction ratio : 300, 360, 480

Approx. weight : 14.5kg

Reference page : Specification Chart→P134



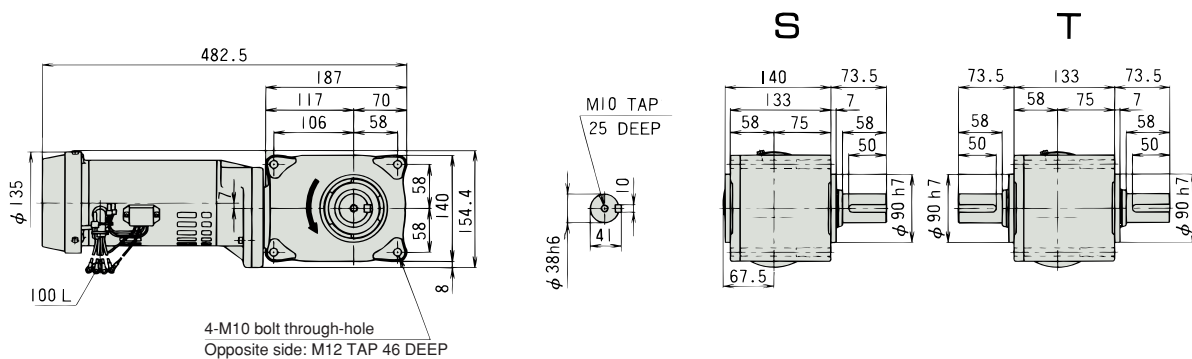
## B-76 100W HMTA100-38U600~1200 S B

The direction of rotation of the output shaft is based on direction of rotation A shown on page 189.

Reduction ratio : 600, 720, 960, 1200

Approx. weight : 18.2kg

Reference page : Specification Chart→P134



Note) The dimension marked with \* indicates that part of the motor protrudes from the mounting surface.

Note) For output shaft arrangement "T," the phases of the right and left output shaft key ways are not necessarily aligned precisely.

# Hypoid Motor TA Series Outline Dimensions

Face mount type 200 W · Brake type

HYPOID MOTOR TA Outline Dimensions ● brake type/Face mount

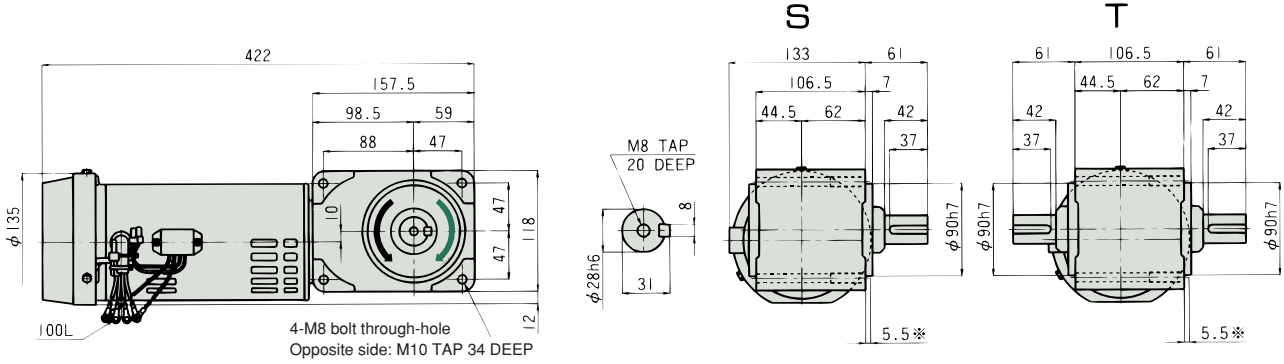
## B-77 200W HMTA200-28U5~200 S B

The direction of rotation of the output shaft is based on direction of rotation A shown on page 189. 1/5~1/60 (↺), 1/80~1/200 (↻)

Reduction ratio : 5, 10, 15, 20, 25, 30, 40, 50, 60, 80, 100, 120, 160, 200

Approx. weight : 13.3kg

Reference page : Specification Chart→P134



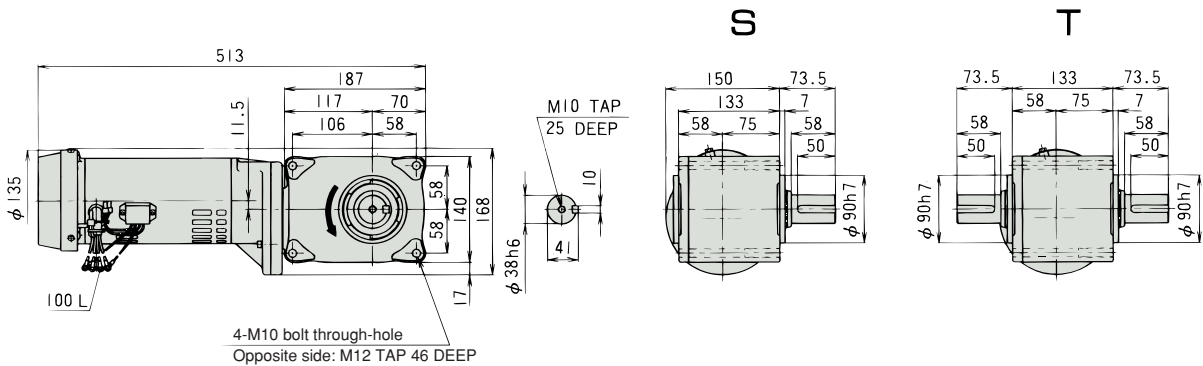
## B-78 200W HMTA200-38U300~480 S B

The direction of rotation of the output shaft is based on direction of rotation A shown on page 189.

Reduction ratio : 300, 360, 480

Approx. weight : 20.0kg

Reference page : Specification Chart→P134



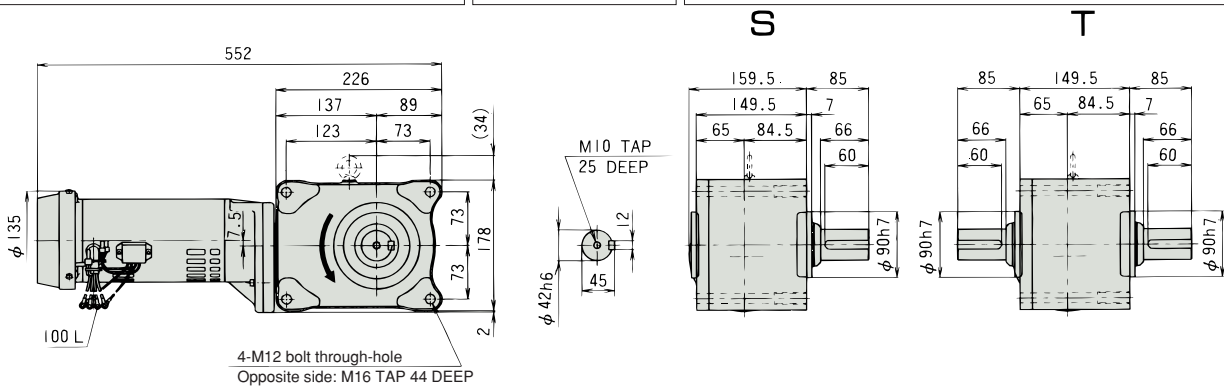
## B-79 200W HMTA200-42U600~1200 S B

The direction of rotation of the output shaft is based on direction of rotation A shown on page 189.

Reduction ratio : 600, 720, 960, 1200

Approx. weight : 29.5kg

Reference page : Specification Chart→P134



Note) The dimension marked with \* indicates that part of the motor protrudes from the mounting surface.

Note) For output shaft arrangement "T," the phases of the right and left output shaft key ways are not necessarily aligned precisely.