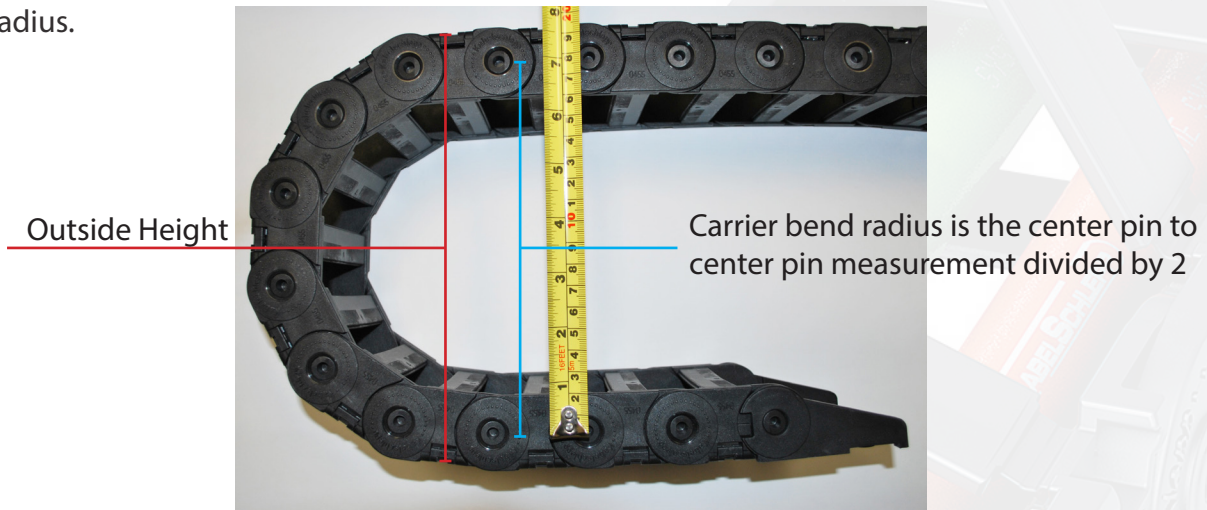


Cable & Hose Carrier Ordering Guide

To request a cable carrier quote, simply provide the information listed below, and we will take it from there.

If you have any questions, call your local U.S. Tsubaki District Sales Manager or KabelSchlepp Customer Service at 800-443-4216

1. **Bend Radius or KR** - get the center pin to center pin measurement. Divide that by two. This is your bend radius.



Outside Height - The red line shows the H dimension which is the outer height of the link at its widest point.

2. **Carrier Outside & Inside Width** - Measure across the width of the widest part of the link. (Figure A)
Carrier Outside & Inside Height - Measure the height of the sideband. (Figure B)
Carrier Link Pitch - Measure the length of one link (Figure C)
Count the Links - Count the links on the current carrier (tells us the total machine travel)



Figure A



Figure B

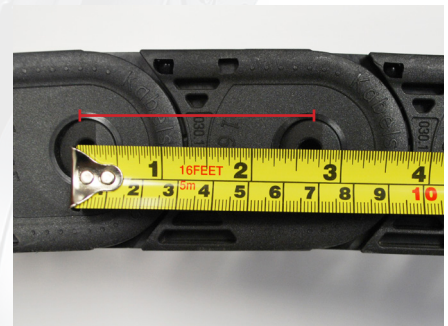
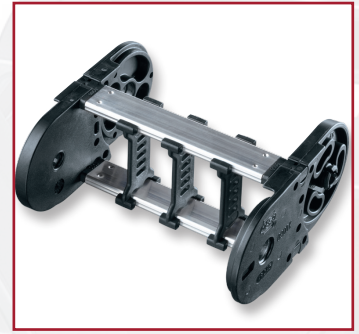
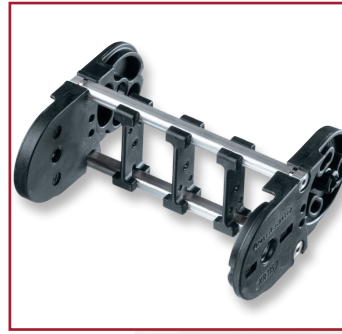
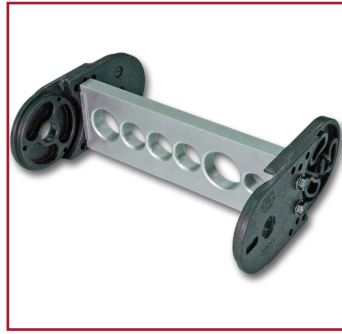
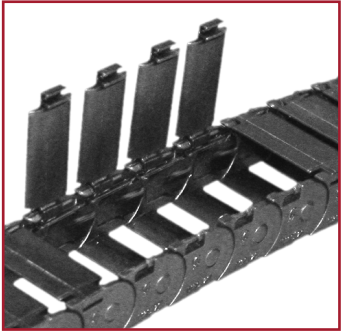


Figure C

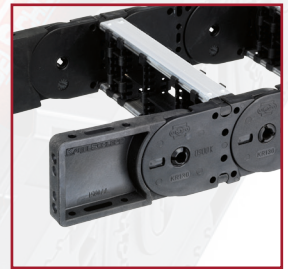
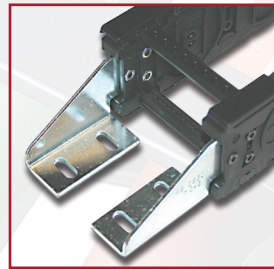
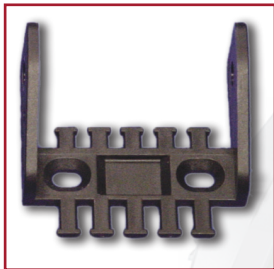
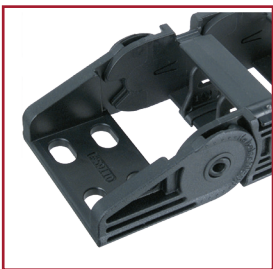
3. **Type of Crossbar** - What type of crossbars/frame stays are on the current carrier? (See pictures)
 - Nylon
 - Aluminum
 - Custom (ex. Drilled aluminum holes) *To make it easier, you can take pictures and send them to us.*How do the cross bars open? (Open to the I.D. or O.D.; Non-opening or Hinged)

Pictures of Common Cross-bars

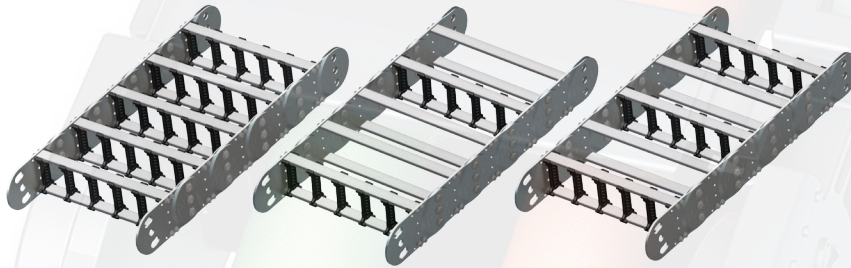


4. **Type of Bracket**

- Nylon
- Nylon w/strain relief comb
- Metal
- Metal w/strain relief comb
- Universal (3 sided)



5. **Type of Dividers** - Are there any vertical dividers or horizontal shelves on the inside of cavity of the carrier? If so, how many dividers per link?



6. **Markings** - Please provide any part numbers or markings you find on the current carrier links and cross-bars.

7. **Cable Details** - We can also provide electrical cables if they are being replaced with the track. Please provide us with the following: (All should be on current cable jacket or we can identify from cable part #)

- Current part # on cable jacket
- Cable gauge size (awg)
- Conductor count
- Length required
- Shielded or unshielded
- Jacket material