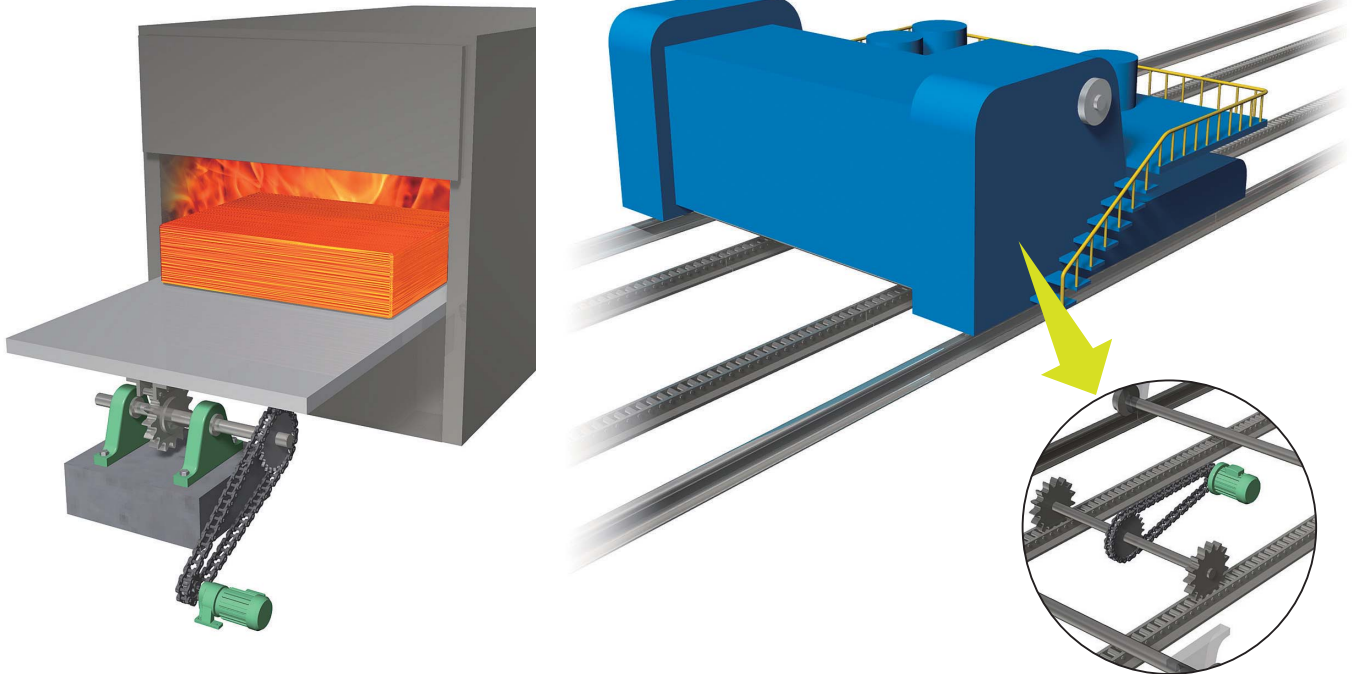


A new concept in rotary and linear drives  
**Tsubaki Pin Gear Drive Units**



# 1 Large transmission capability

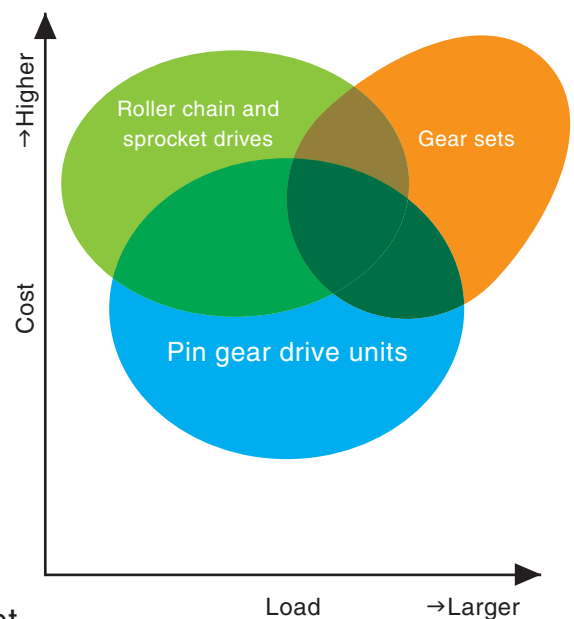
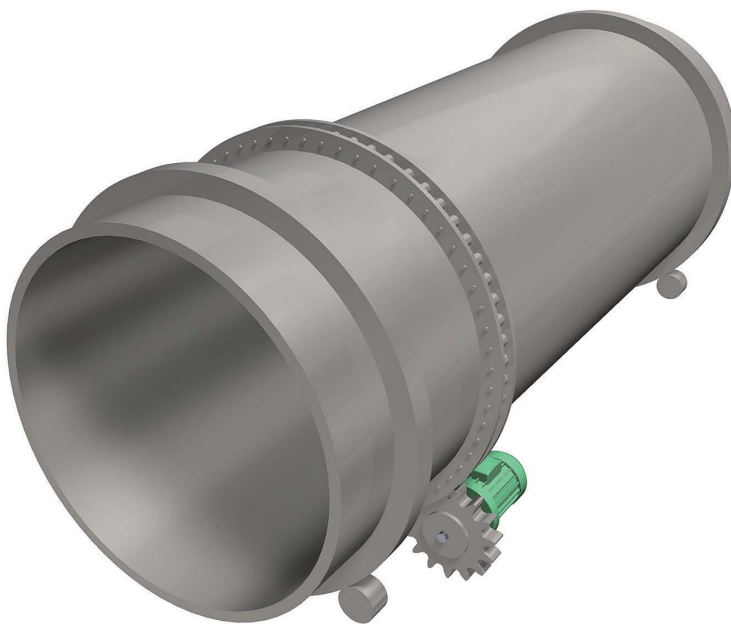
## Heavy load vehicle



- Proven track record in industrial furnaces
- Good performance in carrying heavy loads in steel mills and similar facilities.

## Kiln cooler

## Comparison of mechanisms



- Low cost and quick delivery compared to a gear set
- Speed ratio can be increased at low cost compared to roller chain and sprocket drives.

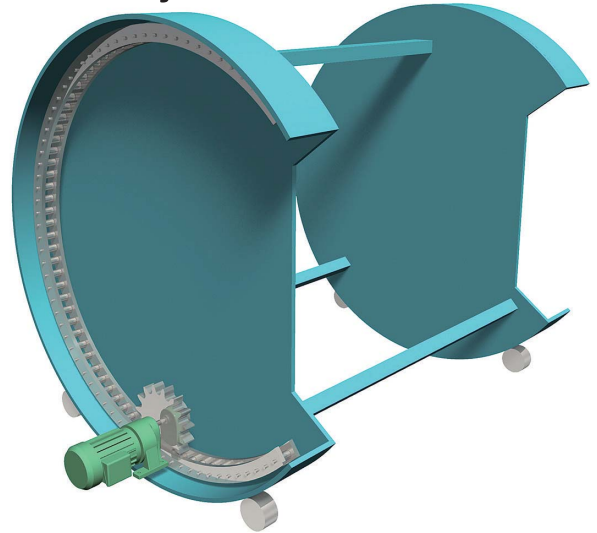
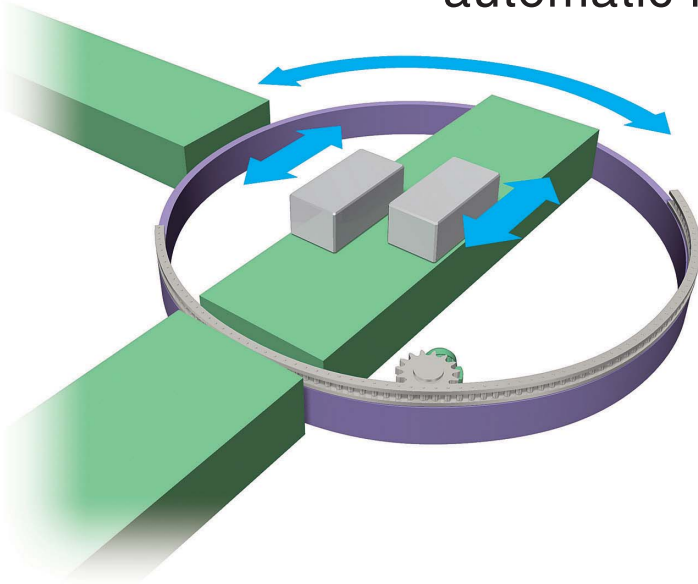
# 2

## Segmented system provides wide variation

Turntable

Reversing machine

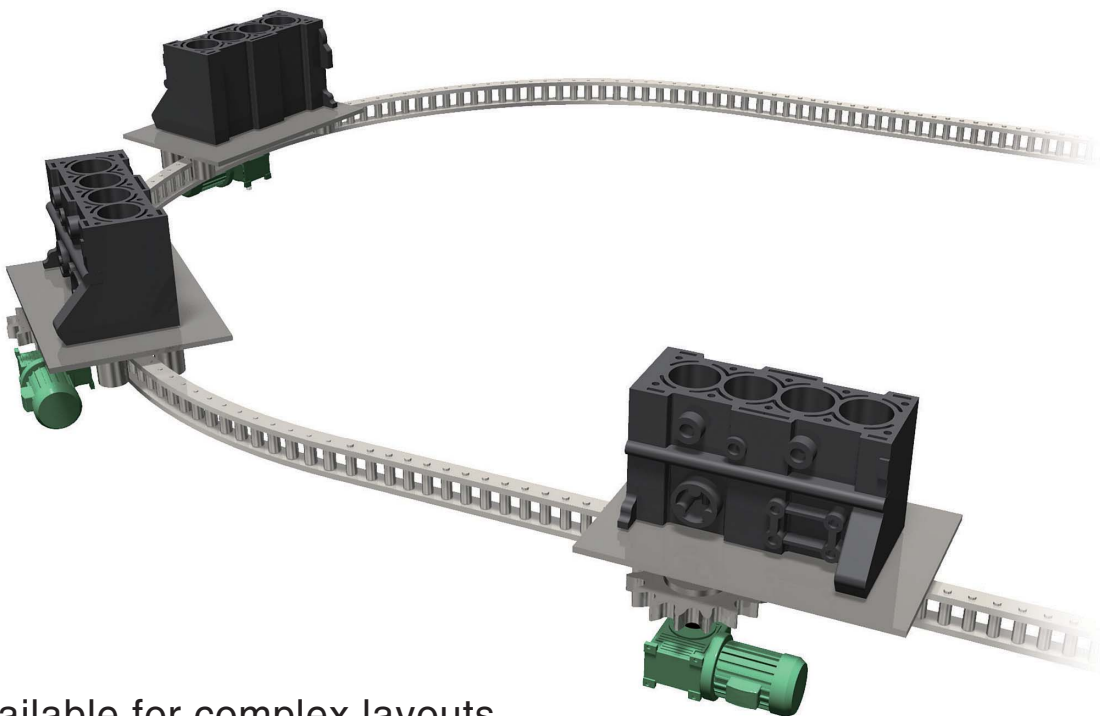
Frequently used in work conveyance and automatic machinery.



- Segments only need to be installed so as to provide the required angle of rotational movement, making the system more affordable than a gear set.

- Unlike roller chain transmission, tension adjustment is unnecessary.
- Inner rotary drive allows devices to be made more compact.

### Combining straight lines and curves

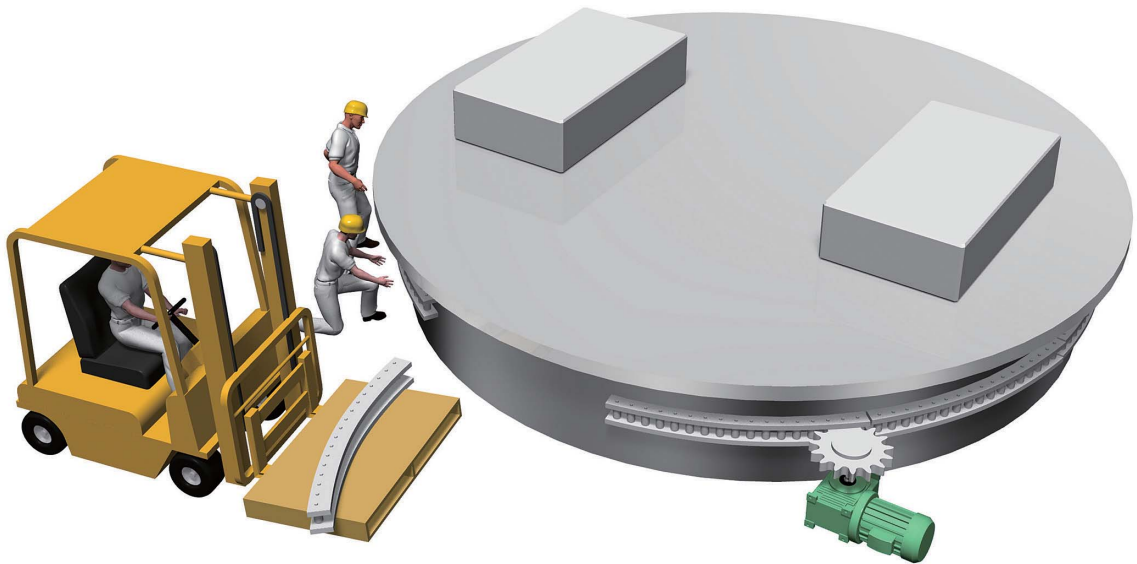


- Available for complex layouts  
Enables new solutions to existing problems

# 3 Easy installation

## Large diameter swiveling table

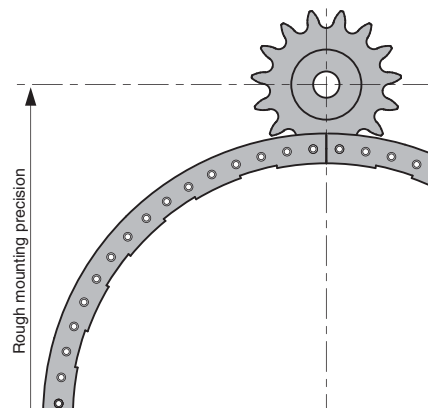
Segmented system improves ease of installation.



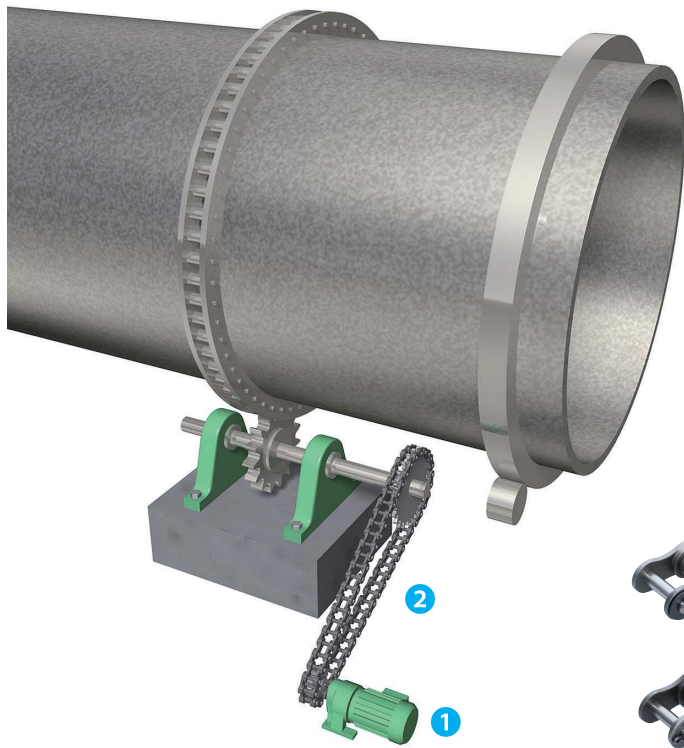
- Low cost, quick delivery, and lightweight compared to slewing bearing and gear arrangements
- Reliable transmission with little slip compared to roller drives

## Equipment maintenance

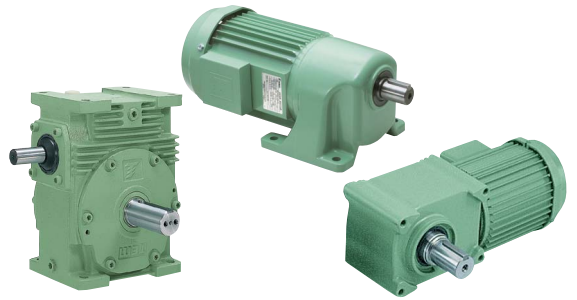
- Easy assembly and disassembly on site
- Device can be driven when installed with rough mounting precision. Setup during assembly is easy.



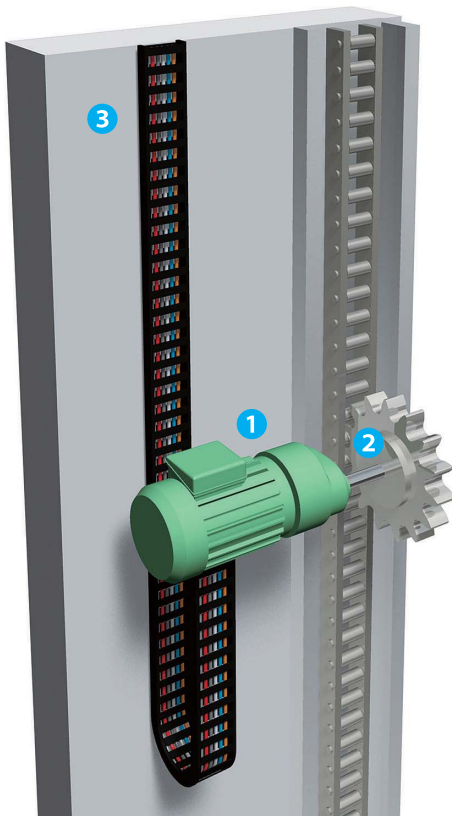
# 4 Wide variety of products available



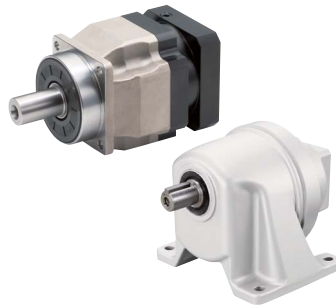
## 1 Gear Motors/Gear Boxes



## 2 Drive Chains & Sprockets



## 1 Servomotor Reducers



## 2 Locking Devices



## 3 Hose and Cable Carrier Systems



Tsubaki provides a wide range of other products in addition to those shown in this brochure. Insist on Tsubaki products for your next project.

# 5 Selection

Website <https://tt-net.tsubakimoto.co.jp/>

The selection software on our website makes selecting products easy.

The screenshot displays the Tsubaki website's selection software. The top section shows the 'Sizing' page for 'Pin gear drive unit', featuring a sidebar with product categories like Drive Chains, Sprockets, and Reducers. A hand icon points to a 'Click' label with a red dashed arrow pointing to the 'Linear drive' button. The bottom section shows the 'Sizing Pin gear drive unit Linear drive' page, which includes input fields for Material (Steel/Stainless steel), Wheel shape (FR/AR), Operating conditions (Running angle, weight, speed, friction), Operation type (Uniform load, etc.), and Load calculations (Acceleration, Load force, Tangential load). A technical diagram and a speed-time graph are also visible.




## TSUBAKIMOTO CHAIN CO.

**Headquarters**  
Nakanoshima Mitsui Building  
3-3-3 Nakanoshima, Kita-ku  
Osaka 530-0005, Japan  
Phone : +81-6-6441-0011  
Facsimile : +81-6-6441-0489  
Internet:  
<http://tsubakimoto.com/>

**Chain & Power Transmission Operations  
Chain Products Department**  
1-3 Kannabidai 1-chome  
Kyotanabe, Kyoto 610-0380, Japan  
Phone : +81-774-64-5100  
Facsimile : +81-774-64-5212



 The Tsubaki Eco Link logo is used only on products that satisfy standards for environmental friendliness set by the Tsubaki Group.

The logos, brand names, or product names in this datalog are trademarks or registered trademarks of Tsubakimoto Chain Co. in Japan and other countries.